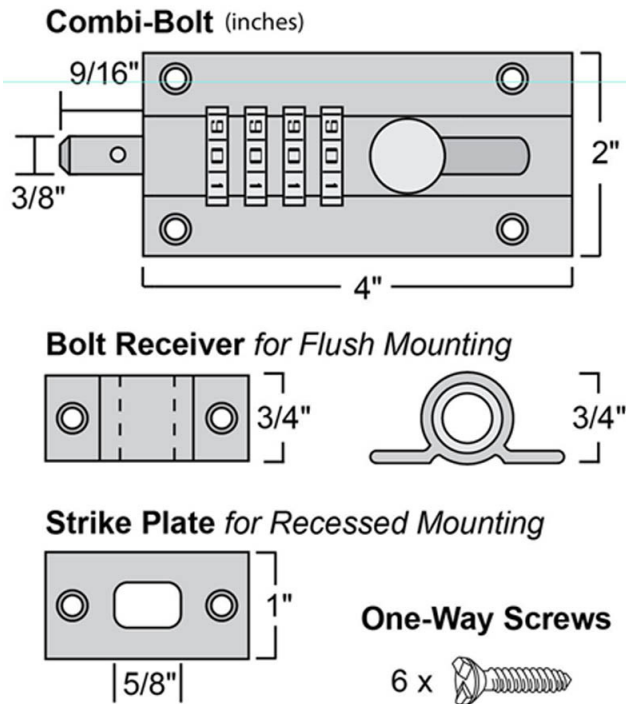


CB2000 Combi-Bolt

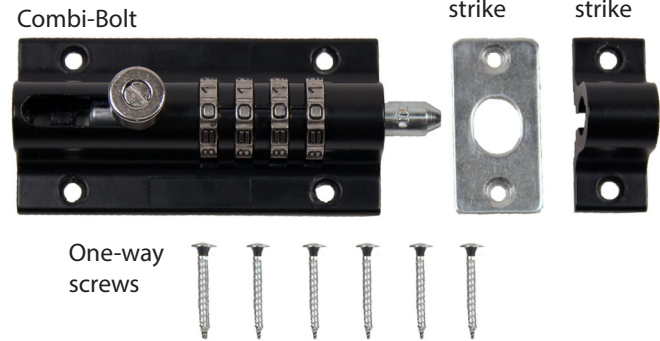
Combination Slide Bolt

INSTALLATION INSTRUCTIONS

DIMENSIONS



Included Components



Recessed Mounting

- Step 1** Position the Strike Plate in its intended position. The 5/8" cutout in the Strike Plate must be over a recess in the door frame.
- Step 2** Mark the positions for the screws on the mounting surface.
- Step 3** Drill pilot holes for the screws.
- Step 4** Screw the Strike Plate into place with the included One-Way Screws.

Flush Mounting

- Step 1** Complete **Steps 1-3** above, then continue to **Step 2** below.
- Step 2** Hold the Combi-Bolt slide bolt latch in its intended position, then mark the positions for the screws on the mounting surface.
- Step 3** Drill pilot holes for the screws.
- Step 4** Screw the Combi-Bolt into place using the included One-Way Screws.
- Step 5** Install the Bolt Receiver. Before screwing in the One-Way Screws be certain the Bolt slides smoothly into the Bolt Receiver.

Recessed Mounting



Flush Mounting



WARNING: This product can expose you to chemicals including chromium, which is known to the State of California to cause cancer and birth defects or other reproductive harm. For more information go to www.P65Warnings.ca.gov.