

# CASCADE SERIES

## Disc Tumbler Deadbolt Locks 973, 974, 975



Easy cylinder removal  
with control key



### SPECIFICATIONS

**Keying:** Will key together with CompX/National style disc tumbler locks  
**Body:** Zinc die cast  
**Cylinder:** Zinc die cast, 5 disc tumbler  
**Cylinder removal:** Cylinder can be removed with control key. Control key sold separately.  
**Standard function:** Key removable in locked or unlocked position.  
**Finish:** 14A (bright nickel) or US19 (matte black)  
**Packaged:** Packed 15 per box, 120 per case

### KEYING INFORMATION

**Keyway:** Cascade Series (equivalent to National 5-disc system)  
**Keys:** Includes 2 keys per lock  
**Stock keying:** KD (120 KD codes), MKKD (120 MKKD codes)  
**Stock KA#:** C346A, C390A, C413A, C415A, C420A, C452A  
**Custom keying:** MKKA or combination of MKKA/MKKD\* to schedule (\*NOTE: there are a maximum of 380 MKKD codes if custom keyed. If you require more key codes, see our DCN series pin-tumbler products.)  
**Keyblanks:**  
 KB-D85-C-NP Key blank (for NON-MK locks)  
 KB-D83-D-NP Key blank (for MK locks)  
**INCLUDED ACCESSORIES**  
 Keys - 2 change keys per lock  
**OPTIONAL ACCESSORIES**  
 Control key - KB-DC97-NP  
 Keyblanks - KB-D83/KB-D85  
 Keying Kit - D1



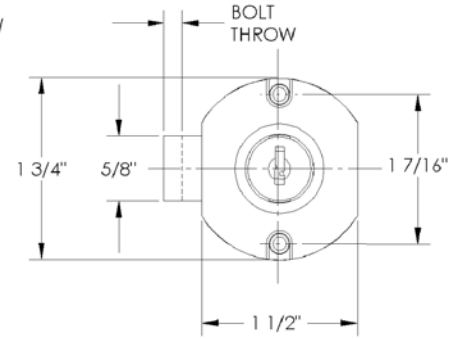
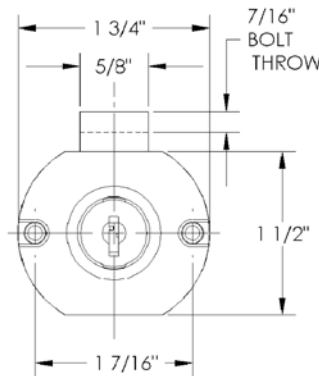
973, 975  
(Drawer)



974  
(Door)

(US14A)  
Bright Nickel

(US19)  
Matte Black



### Cut Keys, Key Blanks & Keying Kit

Item	Description
KB-D85-C-NP	Key blank (for NON-MK locks)
KB-D85-C-CUST	Custom cut change key (for NON-MK locks)
KB-D83-D-NP	Key blank (for MK locks)
KB-D83-D-CUST	Custom cut change key (for MK locks)
KB-D84-E-MK	Cut master key E41A (for MK locks)
KB-D85-C346A	Cut key for stock KA #C346A
KB-D85-C390A	Cut key for stock KA #C390A
KB-D85-C413A	Cut key for stock KA #C413A
KB-D85-C415A	Cut key for stock KA #C415A
KB-D85-C420A	Cut key for stock KA #C420A
KB-D85-C452A	Cut key for stock KA #C452A
KB-DC97-NP	Control key for 973,974,975

Item	Description
D1	DISC Keying Kit (KA/KD/MK)

### KEYING OPTIONS

- KA key codes: C346A, C390A, C413A, C415A, C420A, C452A
- KD (120 KD codes), MKKD (120 MKKD codes)
- Custom Keying (MKKA or combination of MKKA/MKKD to schedule)
- 380 total MKKD codes available if custom keyed

Item	Finish	Barrel Length	Inner Box Quantity	Case Quantity
973	14A, US19	15/16"	15/box	120/case
975	14A, US19	1-3/16"	15/box	120/case
974	14A, US19	15/16"	15/box	120/case

**WARNING:** This product can expose you to chemicals including chromium, which is known to the State of California to cause cancer and birth defects or other reproductive harm. For more information go to [www.P65Warnings.ca.gov](http://www.P65Warnings.ca.gov).

