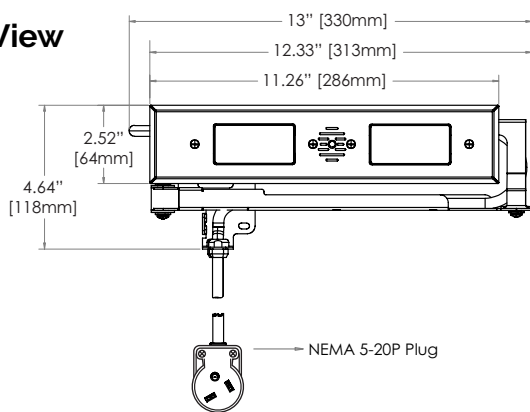


# Blade Series Blade Duo 2012-238

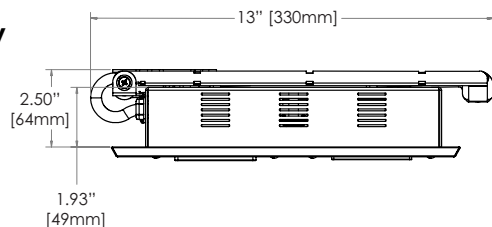
## Outlet Dimensions

Outlet Width	13" (330mm)
Outlet Height	4.64" (118mm)
Outlet Depth	2.5" (64mm)
Receptacle Box Depth	1.93" (49mm)
Cover Plate Height	2.52" (64mm)
Cover Plate Width	11.26" (286mm)

### Front View



### Top View



## Outlet Specifications



2 AC &  
2 USB-C  
(PD - 30 Watt)

AC: 20 amps @ 120 VAC

USB-C (single port connected to PD device): 3 amps @ 9 VDC (30W)

USB-C (single port connected to non-PD device): 3 amps @ 5 VDC (15W)

USB-C (both ports connected): 3 amps @ 5 VDC (30W total power)



2 USB-C  
(PD - 30 Watt)  
& 2 USB-A

USB-C (PD) 30 Watt Shared

USB-C (single port connected to PD device): 30W max 5V/3A; 9V/3A; 12V/2.5A; 15V/2A; 20V/1.5A

USB-C (both ports connected): 15W each port C1:5V/3A C2:5V/3A

USB-A (max with one or both ports connected) 12W total 5v/2.4A

## Recommended Locations for the In-Cabinet Electrical Supply

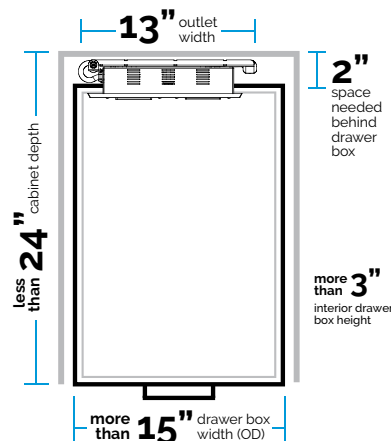


*Do NOT put the electrical supply directly behind the drawer box as it may interfere with the cable management arms*



## Cabinet Specifications

Outlet Width	13"
Minimum Drawer Box Width (OD)	15" or more
Minimum Interior Drawer Box Height	3" or more
Minimum Space Behind Drawer Box	2" or more
Maximum Base Cabinet Depth	24" or less



## Resources & Downloads

Docking Drawer provides all of the necessary resources to plan a Blade Series outlet installation. Download the following resources at [dockingdrawer.com/downloads](http://dockingdrawer.com/downloads):

- Spec Book
- DXF, Step and Solidwork Files
- Mounting Diagrams
- Installation Instructions

## Ready to Order?

Source directly from Docking Drawer or from one of our distribution partners. [Learn more.](#)

Project Name:

Where to Source:  Docking Drawer  Distributor

Lead Time - 2 weeks    Freight - FOB San Ramon    Warranty - 5 Years    [Terms & Conditions](#)