

One Design: Multiple Functions

O
f
L

Collection





Pinello with Optional Third Shelf



Dispensa



Pinello



Magic Corner I



Magic Corner II

COLLECTION

About Liro	2
------------	---

FRAMELESS

Pull-Out Pantry Unit and Full-Height Cabinet Dispensa	6
---	---

Pull-Out Base Cabinet Pinello	8
---	---

Blind Corner Cabinets with Pull-Out Door Magic Corner I	12
---	----

Blind Corner Cabinets with Hinged Door Magic Corner II	13
--	----

A complete range of interior cabinet organization

LIRO

Liro offers Pull-Out solutions for several cabinet applications:

- + Pantry Unit Pull-Out
- + Base Cabinet Pull-Out
- + Corner Cabinet Pull-Out

Liro answers to the latest trends in kitchen equipment:

- + Trendy anthracite finish
- + Thin walls for enhanced design and better space optimization
- + Customization options: wood inserts can be added to the metal shelves to match the cabinet interior and door finishes
- + Designed for North American cabinet dimensions
- + **Good - Better - Best** configuration and style mix:
 - + **Good:** Metal shelves in a trendy anthracite finish
 - + **Better:** Add cut-to-size wood inserts
 - + **Best:** Install insert rails using premium materials such as glass (provided by the customer)

Thin-walled and highly stable metal shelves that work with and without rails

Liro can be installed in Frameless and Face Frame cabinets



Metal Shelf



Metal Shelf with Wood Inserts

Liro shelves adapt to each customer's style to offer a customizable, tailor-made look. They can be paired with rails in a variety of materials to match any design preference. Solid wood rails beautifully complement wooden cabinet fronts and warm color palettes, while options such as glass, compact laminate, or aluminum lend a more contemporary aesthetic. Used without rails, Liro shelves present a sleek and sophisticated design.

Defined by clean lines and a minimalist shape, Liro's new design also demonstrates exceptional expertise in metalworking. The shelves are crafted from high-quality coated sheet steel, folded with millimetre precision: every angle perfectly executed. This material enables ultra-thin walls without compromising strength or stability. The smooth surface makes cleaning easy, and each shelf is fully recyclable as a single-material product at the end of its life cycle.



Dispensa Pull-Out Pantry with Wood Inserts



Pinello Pull-Out Base Cabinet with Wood Inserts



Magic Corner I Blind Corner Cabinets with Metal Shelves (for pull-out door)



Magic Corner II Blind Corner Cabinets with Wood Inserts (for hinged door)

Unique Customization

Add your own inserts in wood, glass, or other materials for a personalized touch



With Metal Shelves



With Wood Inserts



With Customized Glass Inserts

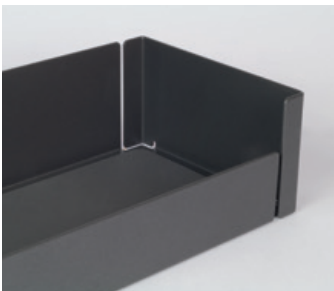


Metal Shelves



Metal Shelves with Wood Inserts

With its full extension sliding shelves system, accessing your items becomes effortless. Gain a quick overview and easy access to your pantry essentials.



Metal Shelf



Metal Shelf with Wood Inserts



- + Trendy anthracite finish on both frame and shelves.
- + Full cabinet access in one fluid motion.
- + Prefinished wood inserts sold separately.
- + Individually height-adjustable shelves for custom configurations.
- + Optimized shelf depth: 518 mm (20 3/8").
- + Adjustable frame fits interior heights from 800 to 2 300 mm (31 1/2" to 90 1/2").
- + Thin-wall steel shelves to maximize storage; anti-slip mat included.
- + Equipped with a soft-close mechanism.
- + Load capacity of 120 kg (265 lb).

EASY TO ORDER

Easy to order in just four steps: choose a frame, shelves, optional accessories and customize with prefinished wood inserts.

1

Order a frame based on your available interior height (includes frame, runner, and front fixing brackets).

2

Order your shelves.

3

Customize your installation with optional accessories.

4

Customize your shelves with prefinished wood inserts.



Internal depth required:

546 mm (21 1/2")

1 Order a frame based on your available interior height (includes frame, runner, and front fixing brackets):

Code	Int. height	Recommended number of shelves	Finish
24160906	800 to 1 200 mm (31 1/2" to 47 1/4")	One set of 4 shelves	Anthracite
24260906	1 200 to 1 600 mm (47 1/4" to 62 7/8")	One set of 4 shelves and 1 individual shelf	Anthracite
24382906	1 600 to 2 000 mm (62 7/8" to 78 3/4")	One set of 4 shelves and 2 individual shelves	Anthracite
24383906	1 900 to 2 300 mm (74 3/4" to 90 1/2")	Two sets of 4 shelves	Anthracite

2 Order your shelves:

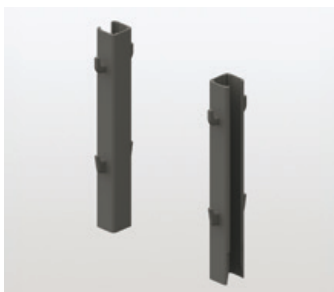
Code	Description	Min. int. width	Cabinet width	Finish
128743906	Set of 4 shelves	262 mm (10 3/8")	FL 300 mm - FL 12"	Anthracite
129943906	1 additional shelf	262 mm (10 3/8")	FL 300 mm - FL 12"	Anthracite
128843906	Set of 4 shelves	343 mm (13 1/2")	FL 400 mm - FL 15"	Anthracite
130043906	1 additional shelf	343 mm (13 1/2")	FL 400 mm - FL 15"	Anthracite
128943906	Set of 4 shelves	412 mm (16 1/4")	FL 450 mm - FL 18"	Anthracite
130143906	1 additional shelf	412 mm (16 1/4")	FL 450 mm - FL 18"	Anthracite



Shelf height:

90 mm (3 1/2")

3 Customize your installation with optional accessories:



Pair of Additional Hooks
10164906



Set of four Magnetic Dividers
10706906



Explore available options at richelieu.com





Metal Shelves



Metal Shelves with Wood Inserts

Simply open the front to pull out the shelves and access your storage with ease.



Minimal internal depth required:
527 mm (20 3/4")

Minimal internal height required:
517 mm (20 3/8")

Minimal internal height required with optional extra shelf shown on page 8:
724 mm (28 1/2")



- + Complete overview and easy access immediately after opening.
- + Maximized use of cabinet width with thin-wall shelves.
- + Anti-slip mats keep stored items securely in place.
- + Optional extra shelf makes full use of cabinet height.
- + Quick and easy door attachment using the market's most advanced front fixing brackets.
- + Trendy anthracite finish on both frame and shelves.
- + Prefinished wood inserts sold separately.
- + Compatible with various cabinet widths.
- + Weight capacity of 30 kg (76 lb).

EASY TO ORDER

Easy to order in just three steps: choose a pair of slides, a structure, and a pair of fixing brackets, then customize with optional accessories and wood inserts.

1

Order a pair of slides #7505001S (Blum Soft-Motion 500 mm, 40 kg (90 lb)).

2

Order a structure (includes 2 shelves and anti-slip mats) along with a pair of front fixing brackets, selected based on cabinet width and door type.

3

Order your optional accessories and customize with wood inserts.

1 Order a pair of slides:



Pair of Slides
7505001S

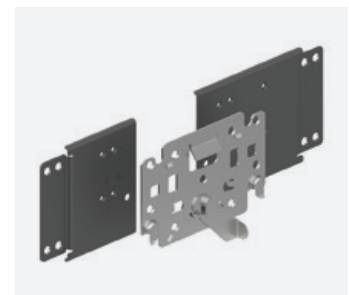
2 Order a structure along with a pair of front fixing brackets:



Pinello Structure
Includes bottom brackets
and anti-slip mats
2816-17-18-19



Fixed Front Fixing Bracket
2838-39-40



Adjustable Front Fixing Bracket
2841-42-43



Use the following chart to order the right structure and front fixing brackets.

The front fixing brackets for shaker doors are based on a 51 mm (2") door frame.

Please visit richelieu.com for further instructions.

2 Order a structure along with a pair of front fixing brackets, selected based on the cabinet width and door type:

Pinello Structure	Min. int. width	Front fixing Slab door	Front fixing Shaker door	Cabinet width
2816906	112 mm (4 7/16")	2838906	2838906	150 mm
2817906	162 mm (6 3/8")	2839906	2839906	200 mm
2818906	262 mm (10 1/4")	2840906	2842906	300 mm
2816906	114 mm (4 7/16")	2838906	2838906	6"
2817906	190 mm (7 1/2")	2839906	2841906	9"
2818906	266 mm (10 1/2")	2840906	2842906	12"
2819906	343 mm (13 1/2")	2840906	2843906	15"

3 Customize your installation with optional accessories:

Extra Top Shelf

This optional top shelf easily clips onto the upper level of the Pinello structure, adding extra storage space and fitting all available widths.



When the extra top shelf is used with the Pinello frame, the minimum required interior height is 724 mm (28 1/2").



Code	Product dimensions (L x W x H)
2492906	492 x 100 x 259 mm (19 3/8" x 4" x 10 1/8")

Magnetic Divider

This set of four dividers helps keep items in place on each shelf and prevents them from shifting.



Code	Product dimensions (W x H x D)
10706906	78 x 76 x 25 mm (3" x 3" x 1")

3 Additional optional accessories:

Bottle Holder

This bottle holder installs onto the shelves of the Pinello structure to organize bottles such as oil, vinegar, and more. Each holder includes four compartments.



Drop-in installation,
no tools required.



Code	Description	Product dimensions (W × D × H)	For structure
2784906	Bottle Holder 150	98 × 488 × 63 mm (3 7/8" × 19 1/4" × 2 1/2")	2816
2600906	Bottle Holder 200	148 × 491 × 63 mm (5 7/8" × 19 3/8" × 2 1/2")	2817
2601906	Bottle Holder 300	248 × 491 × 63 mm (9 3/4" × 19 3/8" × 2 1/2")	2818

**Upgrade your unit
with wood inserts**



Explore available options
at richelieu.com





Metal Shelves with Wood Inserts (Right)



Metal Shelves (Right)



- + Front shelves extend and swivel outward, while rear shelves slide inward for easy access in one smooth motion.
- + Designed for blind corner cabinets and door mounting.
- + Available in both left and right-side opening options.
- + Soft-stop device included for smooth closing.
- + Trendy anthracite finish on both frame and shelves.
- + Load capacity per shelf:
 - Front: 7 kg (15.4 lb)
 - Rear: 9 kg (19.8 lb)
- + Anti-slip mat included.

EASY TO ORDER

Easy to order in just three steps: choose a frame, a set of shelves, and optional prefinished wood inserts.

1

Order a frame.

2

Order a set of shelves.

3

Customize the shelves with prefinished wood inserts.

1 Order a frame:

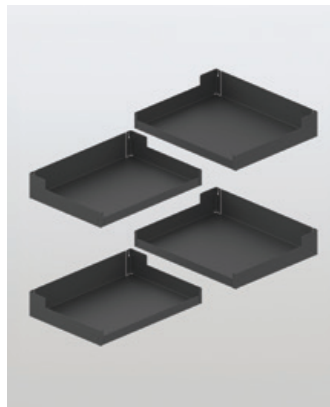


MC I Liro Frame (Left)
30826906



MC I Liro Frame (Right)
30831906

2 Order a set of shelves:



Set of 4 Shelves
301127906 and 301135906

3 Customize the shelves:



Explore available options at richelieu.com



Min. int. dimensions required (W × D × H):

862 to 971 × 500 × 540 mm (33 7/8" to 38 1/4" × 19 11/16" × 21 1/4")

1 Order a frame:

Code	Description	Int. dimensions (W × D × H)	Finish
30826906	MC I Liro Frame, Left	862 to 971 × 500 × 540 mm (33 7/8" to 38 1/4" × 19 11/16" × 21 1/4")	Anthracite
30831906	MC I Liro Frame, Right	862 to 971 × 500 × 540 mm (33 7/8" to 38 1/4" × 19 11/16" × 21 1/4")	Anthracite

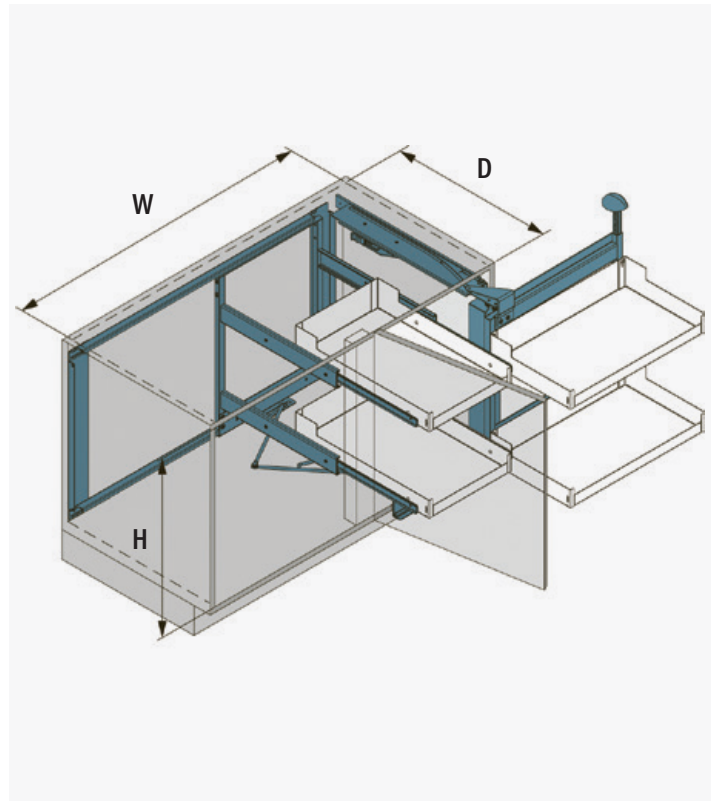
2 Order a set of shelves:

Code	Description	Min. door opening	Finish
301127906	Set of 4 shelves 450	395 mm (15 1/2")	Anthracite
301135906	Set of 4 shelves 500	455 mm (17 7/8")	Anthracite

3 Customize the shelves with prefinished wood inserts



Metal Shelves (Right)



Metal Shelves with Wood Inserts (Left)



- + Front shelves slide fully forward, while rear shelves pull out individually for complete access in one smooth motion.
- + Designed for hinged door applications.
- + Features an ergonomic, height-adjustable handle.
- + Available in both left- and right-side opening configurations.
- + Soft-stop device included for smooth closing.
- + Trendy anthracite finish.
- + Load capacity per shelf:
 - Front: 10 kg (22 lb)
 - Rear: 8 kg (18 lb).

EASY TO ORDER

Easy to order in just four steps: choose a frame, a set of shelves, optional accessories and customize with prefinished wood inserts.

1

Order a frame (left or right).

2

Order a set of shelves.

3

Customize your installation with optional accessories.

4

Customize your shelves with prefinished wood inserts.

1 Order a frame (left or right):



MCII Liro Frames
3058XXXX

2 Order a set of shelves:



Set of 4 Shelves
301128906 - 301129906

3 Customize your installation:



Set of 4 Magnetic Dividers
10706906

4 Customize the shelves:



Explore available options at richelieu.com

1 Order a frame:

Code	Description	Int. dimensions (W × D × H)	Finish
30580906	MC II Liro 900, right frame	862 to 971 × 498 × 545 mm (33 7/8" to 38 1/4" × 19 5/8" × 7/16")	Anthracite
30581906	MC II Liro 900, left frame	862 to 971 × 498 × 545 mm (33 7/8" to 38 1/4" × 19 5/8" × 7/16")	Anthracite
30582906	MC II Liro 1000, right frame	962 to 1 171 × 498 × 545 mm (37 7/8" to 46 1/8" × 19 5/8" × 21 7/16")	Anthracite
30583906	MC II Liro 1000, left frame	962 to 1 171 × 498 × 545 mm (37 7/8" to 46 1/8" × 19 5/8" × 21 7/16")	Anthracite

2 Order a set of shelves:

Code	Description	Min. door opening	Compatible frame	Finish
301128906	Set of 4 shelves MCII Liro 450	394 mm (15 1/2")	MC II Liro 900	Anthracite
301129906	Set of 4 shelves MCII Liro 500	444 mm (17 1/2")	MC II Liro 1000	Anthracite

3 Choose your optional accessories:

Code	Description
10706906	Set of 4 magnetic dividers

4 Customize with prefinished wood inserts



Pinello



Magic Corner I



Dispensa

CANADA

T. 1 800 361-6000
F. 1 800 363-0193

USA

T. 1 800 619-5446
F. 1 800 876-7454

**DISCOVER THE
LIRO COLLECTION**

