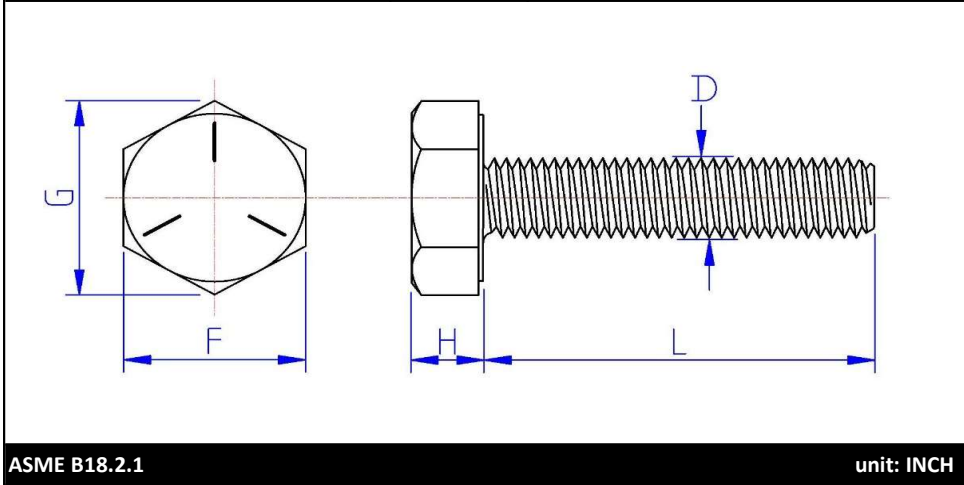




Brand	Root
	TB5Z...



	Diam.	1/4 to 3/8	7/16 to 1/2	9/16 to 3/4	
L LENGTH TOLERANCE	≤ 1"	+0 / -0.03	+0 / -0.03	+0 / -0.03	Full Thread
	> 1" to ≤ 2-1/2"	+0 / -0.04	+0 / -0.06	+0 / -0.08	
	> 2-1/2" to ≤ 4"	+0 / -0.06	+0 / -0.08	+0 / -0.10	
	> 4" to ≤ 6"	+0 / -0.10	+0 / -0.10	+0 / -0.10	

Bolt Size Class 2A		D THREAD DIAM.	F ACROSS FLAT	G ACROSS CORNERS	H HEAD HEIGHT	THREAD PER INCH
1/4	Min	0.2408	0.428	0.488	0.150	20
	Max	0.2500	0.438	0.505	0.163	
5/16	Min	0.3026	0.489	0.557	0.195	18
	Max	0.3125	0.500	0.577	0.211	
3/8	Min	0.364	0.551	0.628	0.226	16
	Max	0.3750	0.562	0.650	0.243	
7/16	Min	0.4258	0.612	0.698	0.272	14
	Max	0.4375	0.625	0.722	0.291	
1/2	Min	0.4876	0.736	0.840	0.302	13
	Max	0.5000	0.750	0.866	0.323	
5/8	Min	0.6112	0.922	1.051	0.378	11
	Max	0.6250	0.938	1.083	0.403	

**Hex. Head Cap screw "TAP BOLT", Fully Threaded, Zinc plated
SAE J429 - Grade 5**

Root= Tap Bolt grade-5 Zinc

Bulk Label Description:

- English: HEX. HEAD TAP BOLT, GR-5, FULL THREAD, ZINC
- French: BOULON TÊTE HEX, GR-5, FILETÉ COMPLET, ZINC
- Spanish: PERNO DE CABEZA HEXAGONAL, GRADO 5, COMPLETAMENTE ROSCADO, ZINC

Date: 22 avril 2025

Done by: P.B.