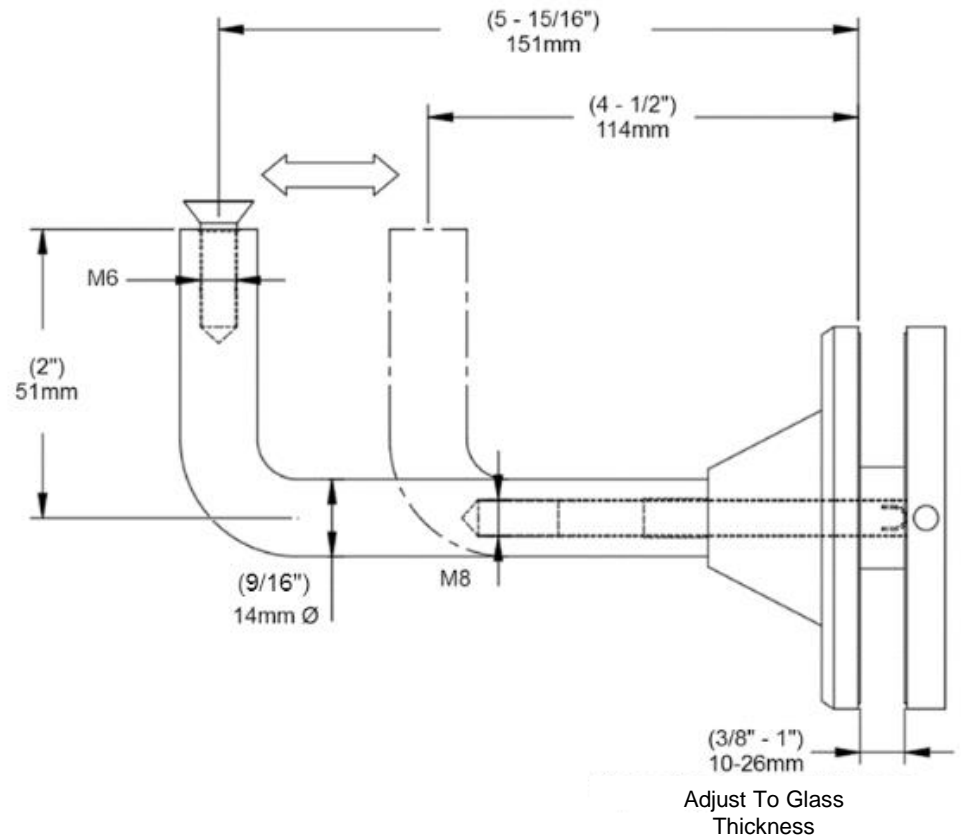
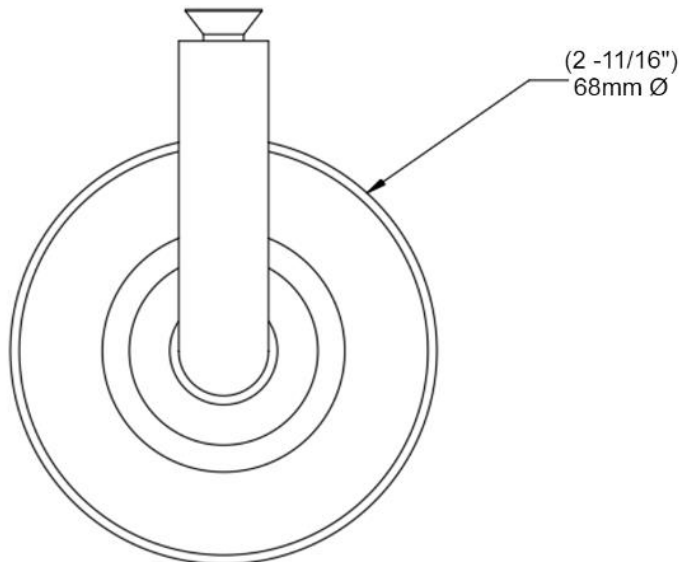


Code No.: SSGF14GM16170

- For Glass 10 - 25mm (3/8" - 1")
- Hole Fabrication 19-25mm (3/4" - 1")
- Adjustability: Extended Hole Provides Possibility To Reduce The Elbow Length By (A Max Of) 38mm (1 - 1/2")



Code No.: SSGF14GM16170

- Pour verre 10 - 25mm (3/8" - 1")
- Fabrication de trou 19-25mm (3/4" - 1")
- Ajustabilité: Le trou étendu offre la possibilité de réduire la longueur du coude de (un maximum de) 38mm (1 - 1/2")

