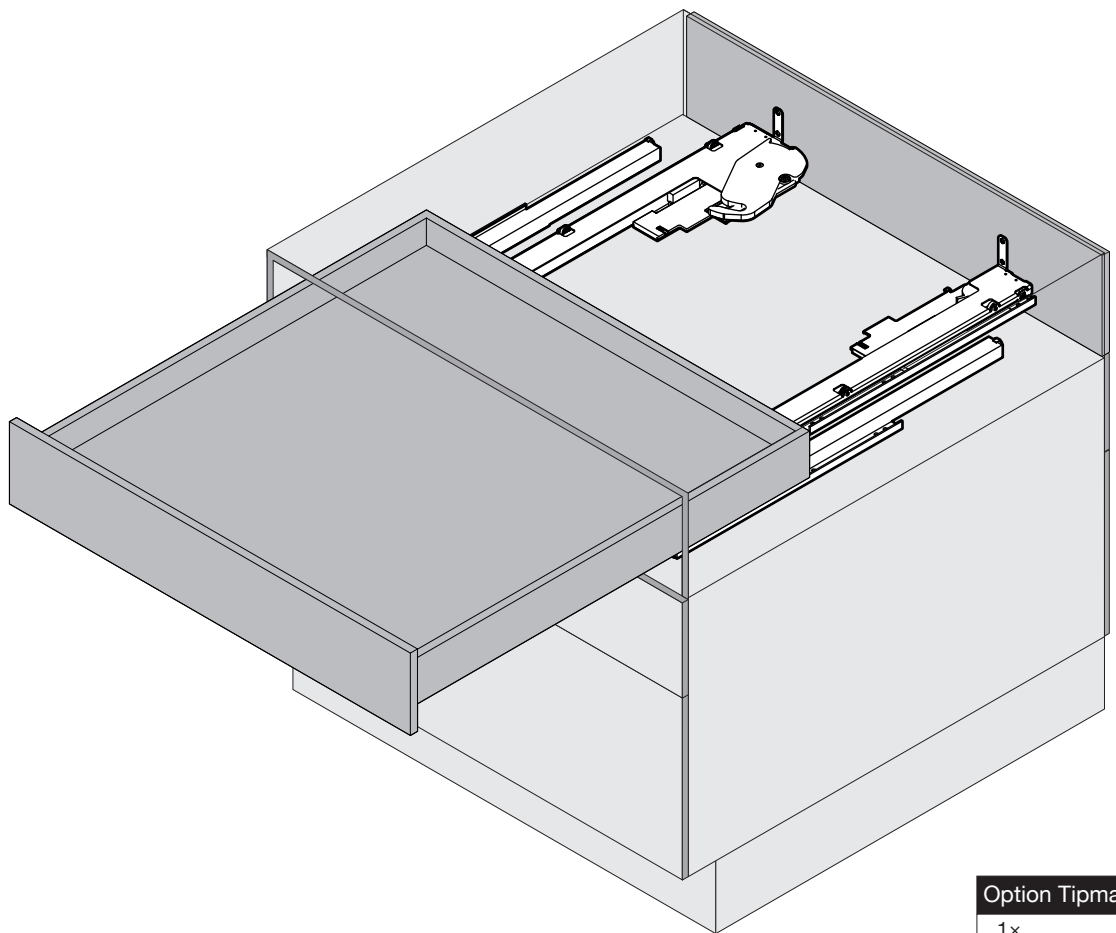
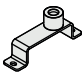


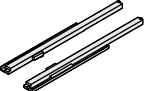
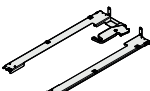
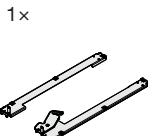




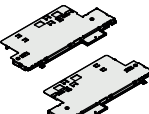





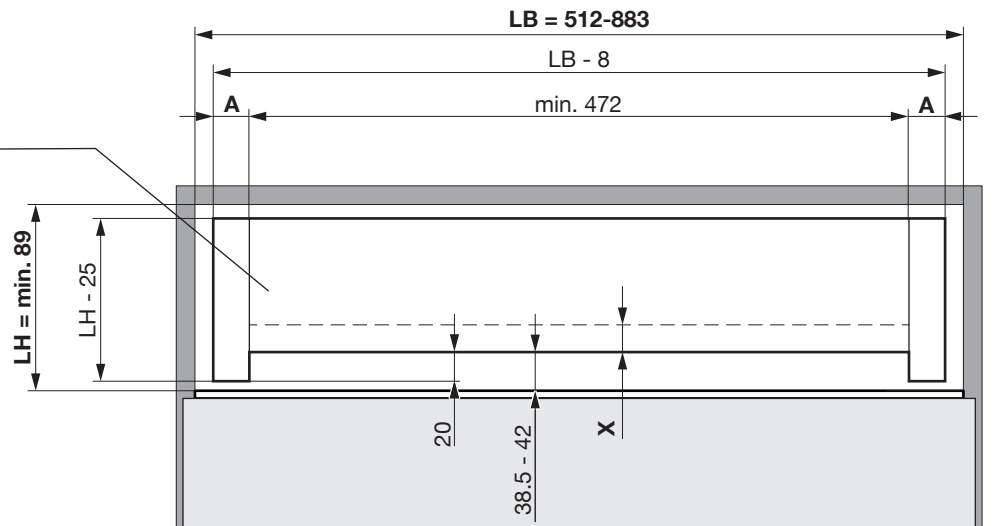
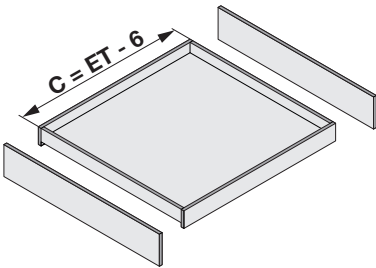
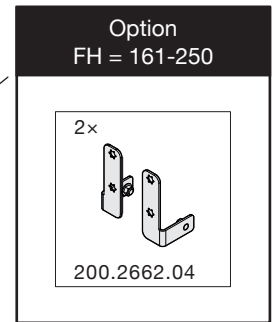
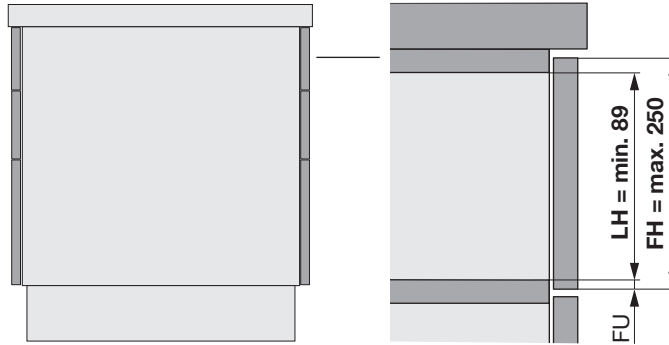
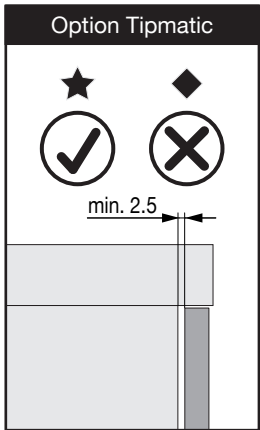
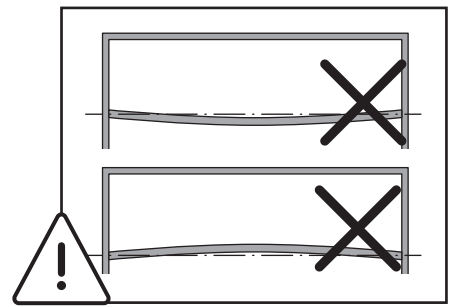
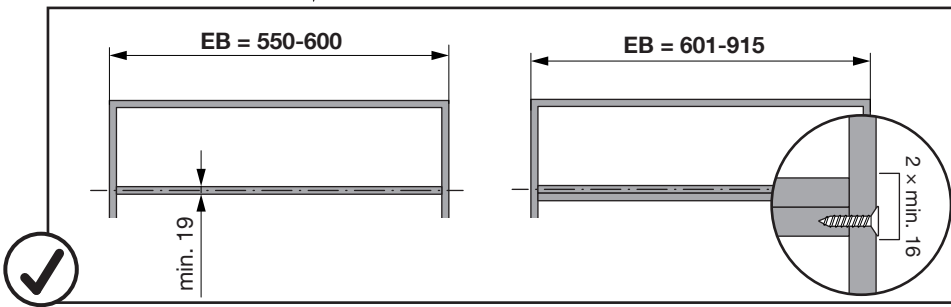
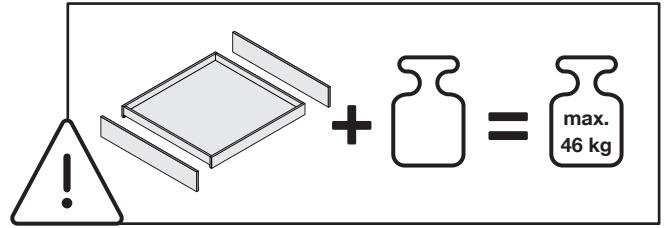
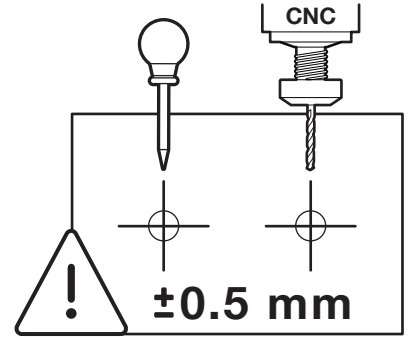
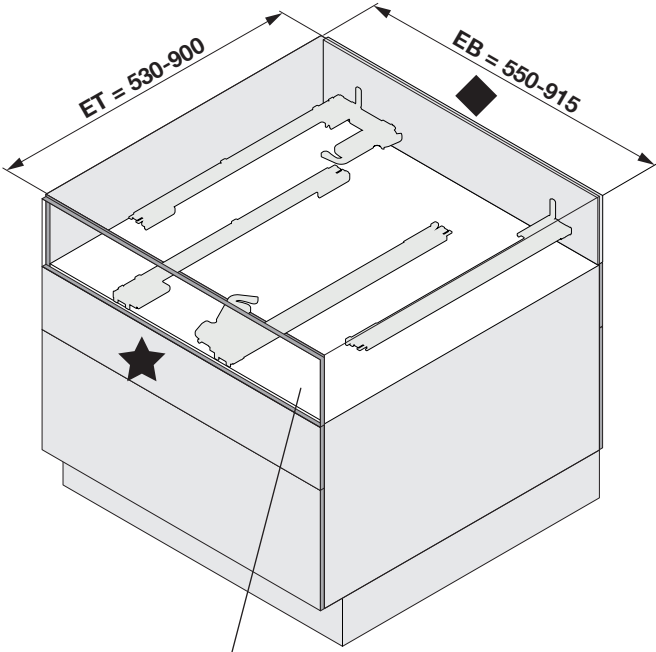
# RIVERSO

—  
Système pour tiroir coulissant des deux côtés System  
for drawer that can be opened from both sides

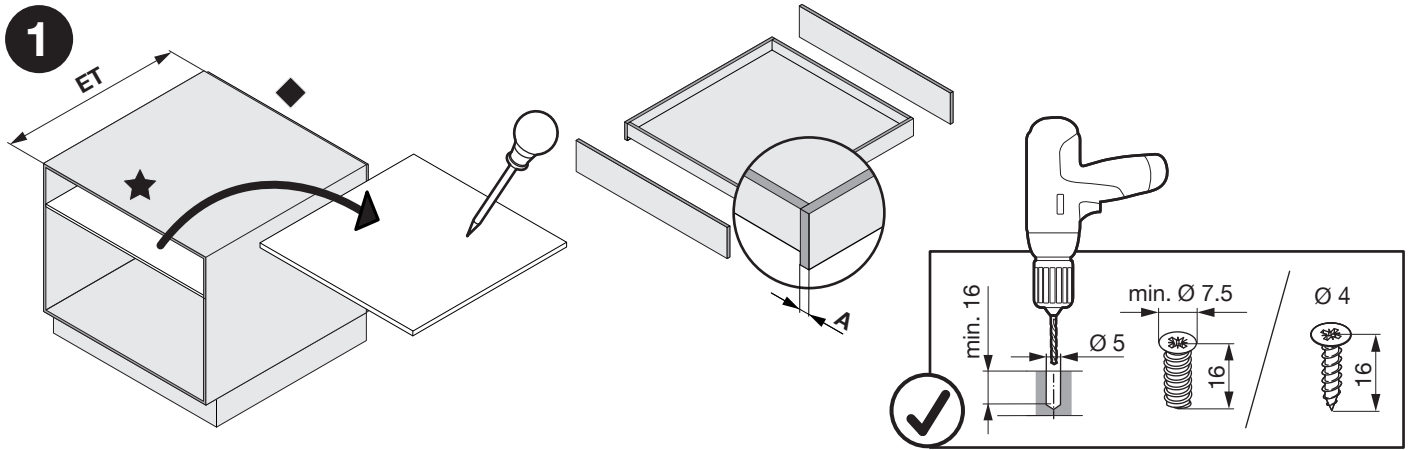


Art.Nr. <b>Typ 530-609</b> 2002484530 <b>Typ 610-759</b> 2002484610 <b>Typ 760-900</b> 2002484760				
2x	4x	1x	1x	1x
	 Ø 4,5x15			
1x	2x	2x	8x	2x
			 Ø 4x25	

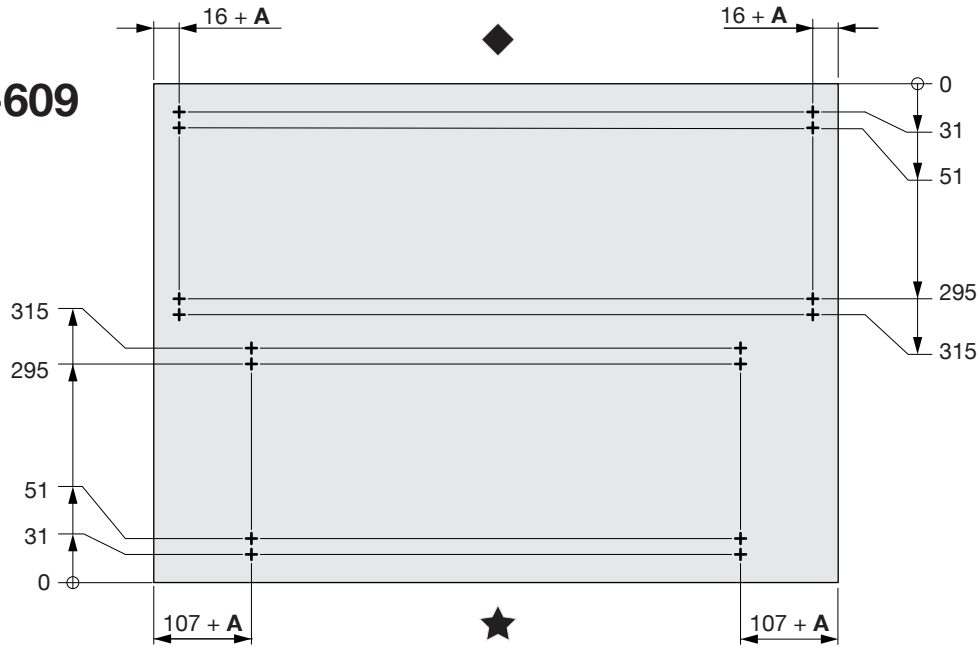
<b>Option Tipmatic</b> 1x  1x  2002484000	
<b>Option</b> 2x  2002484002	1x  2002484001



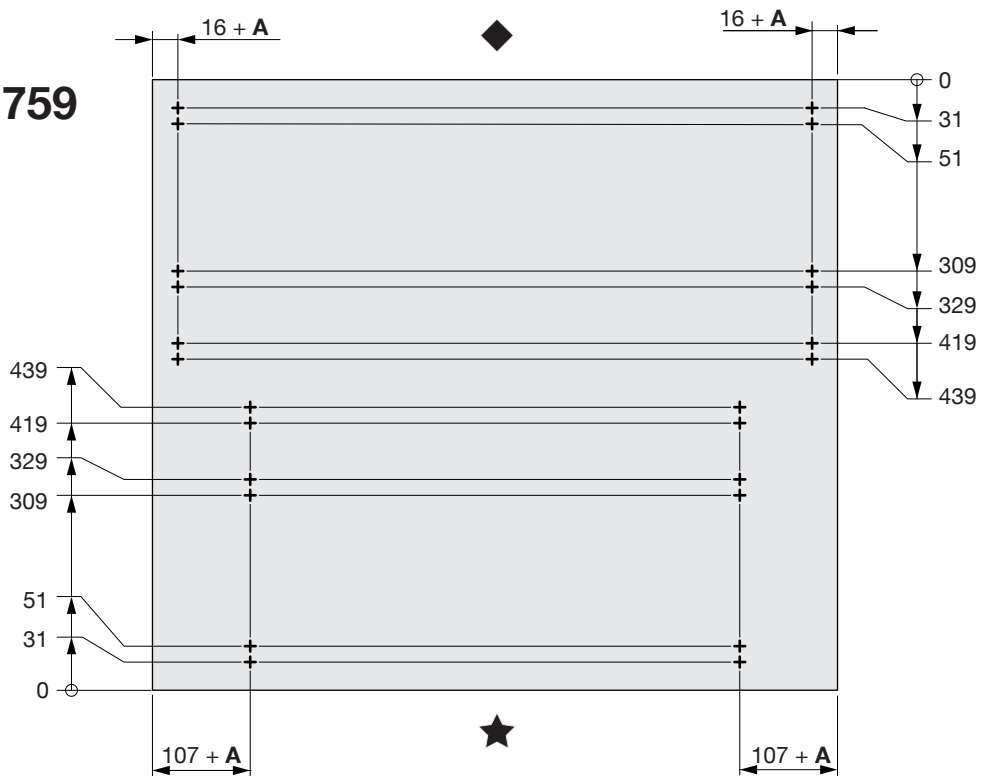
EB	X
≤ 600	min. 16
≥ 601	min. 19



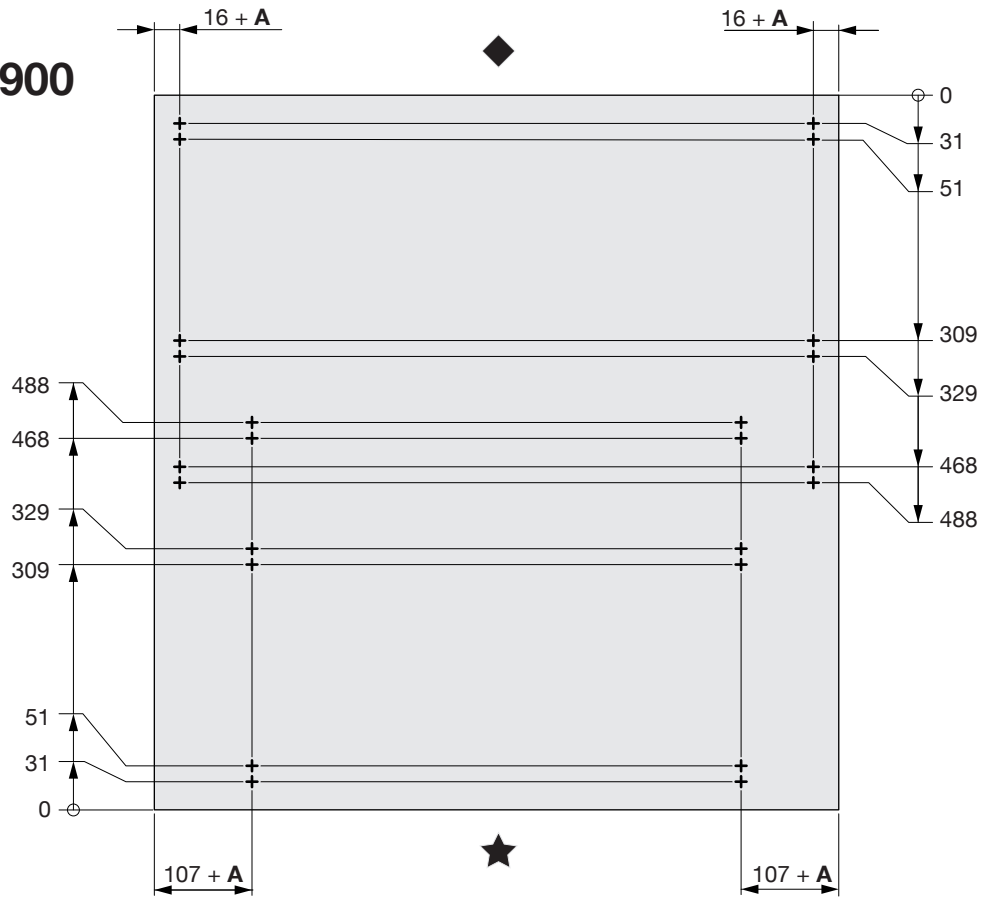
**ET = 530-609**



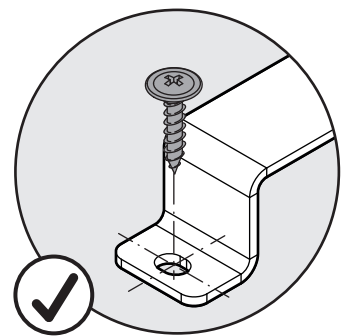
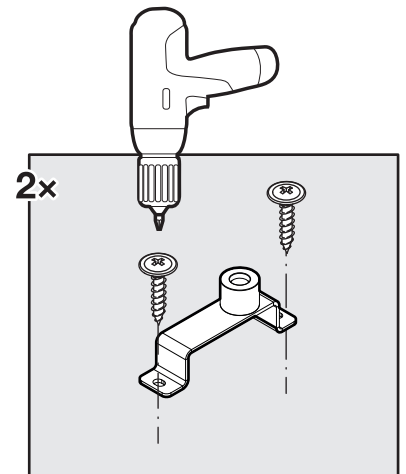
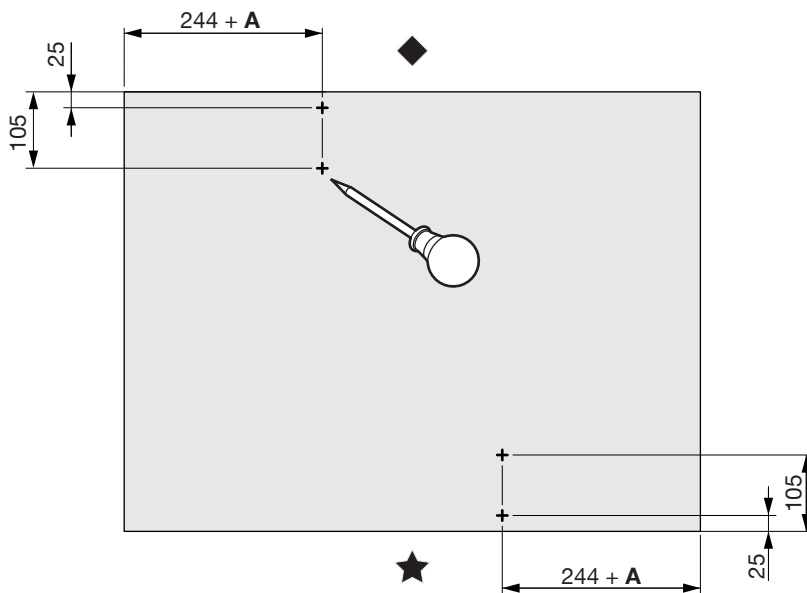
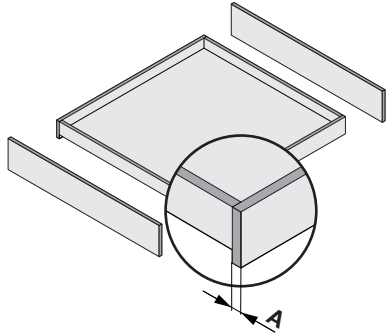
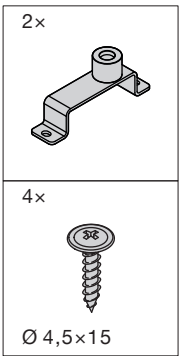
**ET = 610-759**



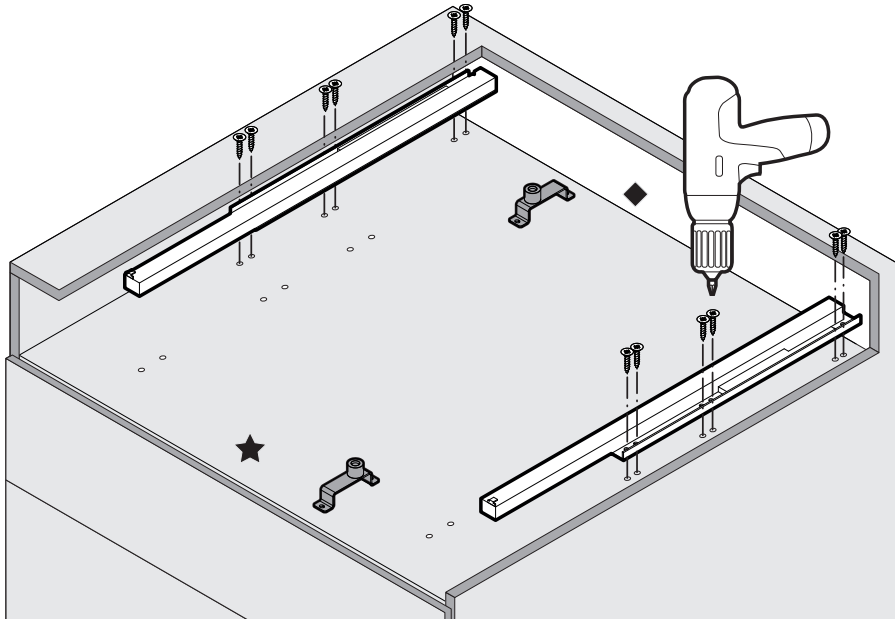
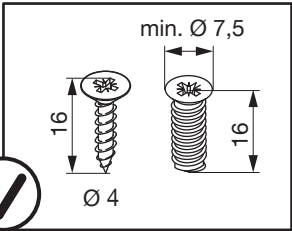
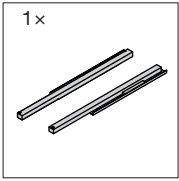
# ET = 760-900



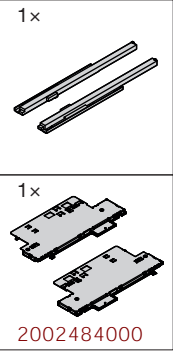
**2**



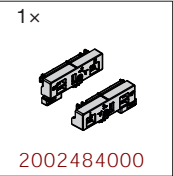
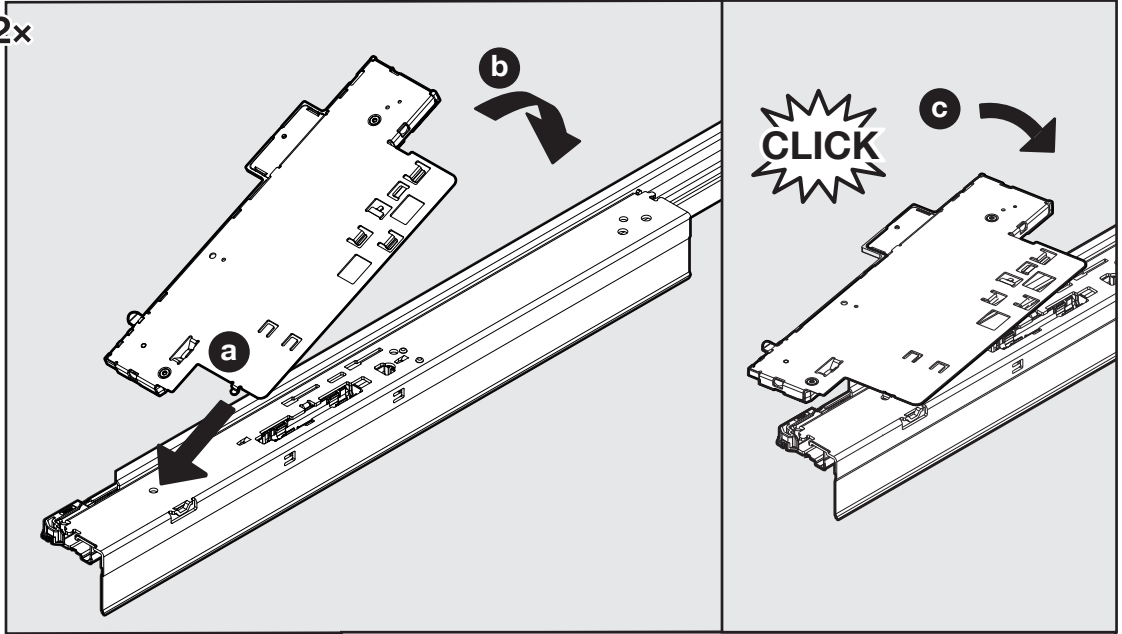
3



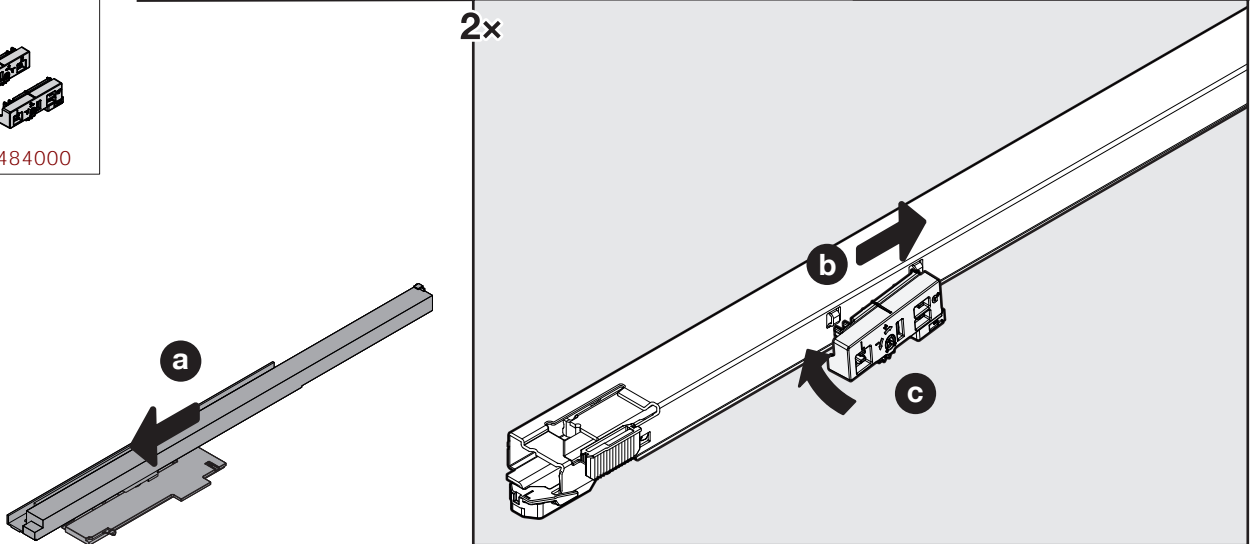
Option Push



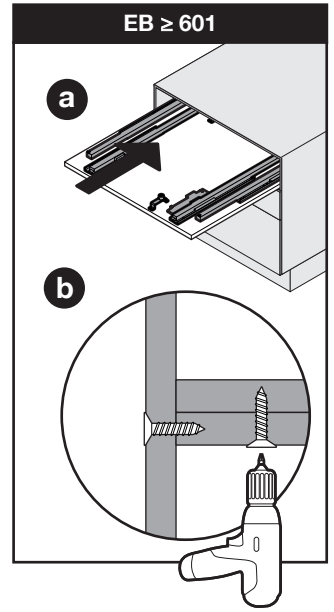
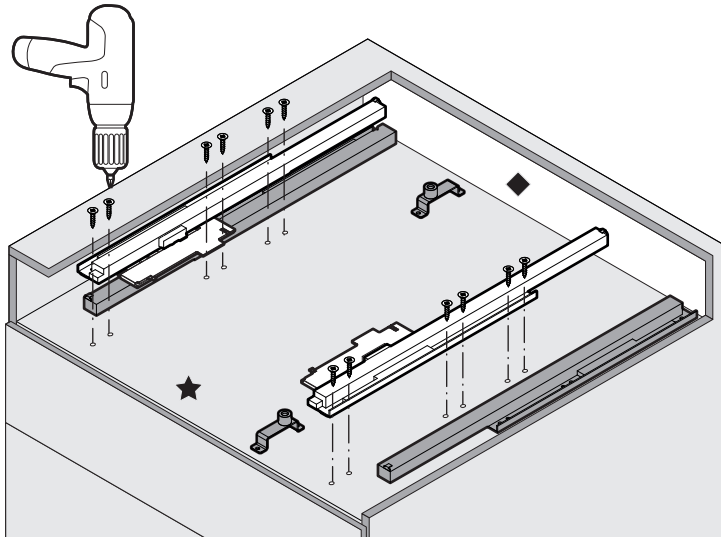
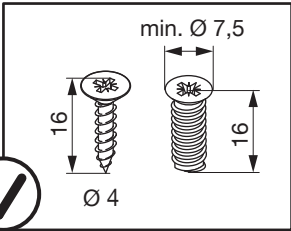
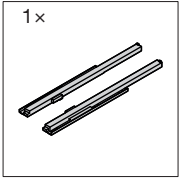
2x



2x



4

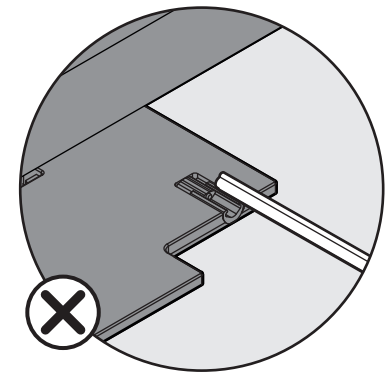
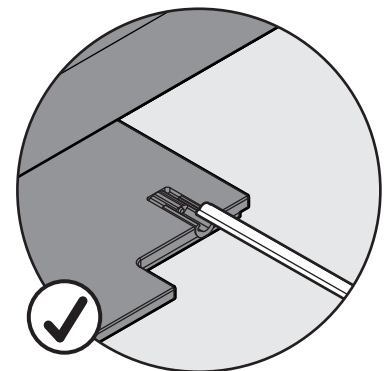
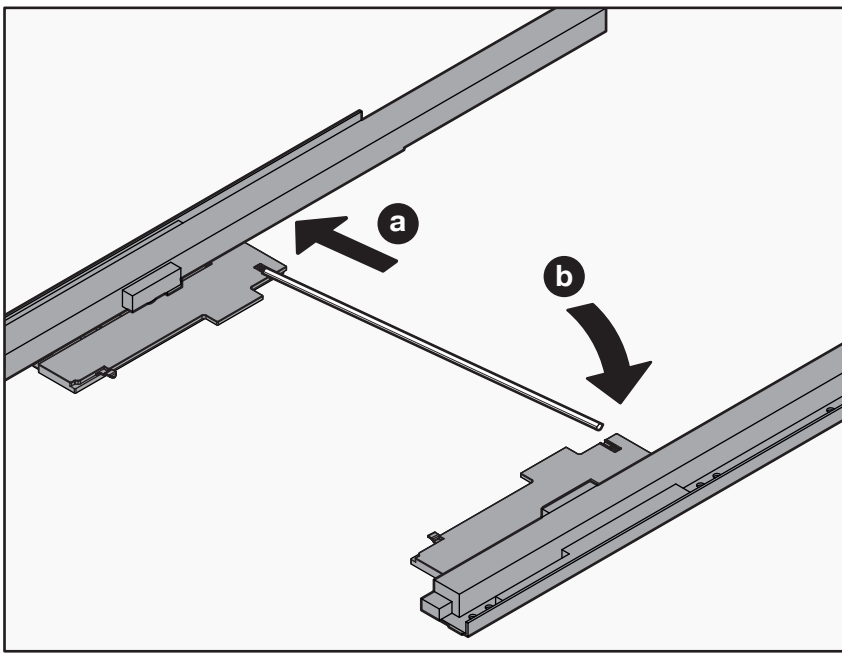
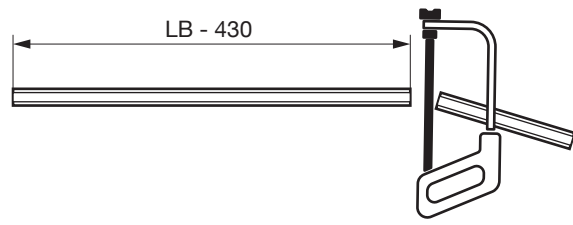
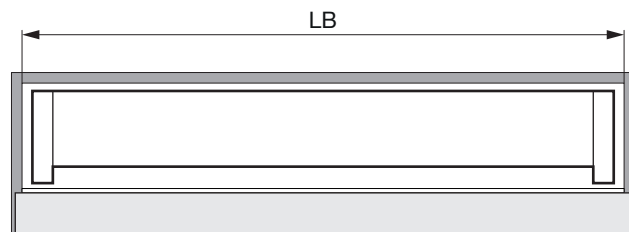


EB ≥ 601

a

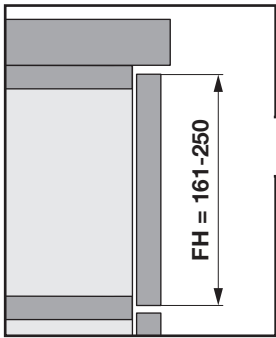
b

Option push

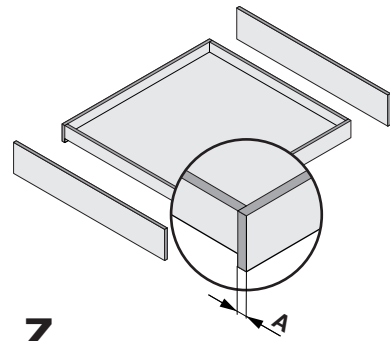
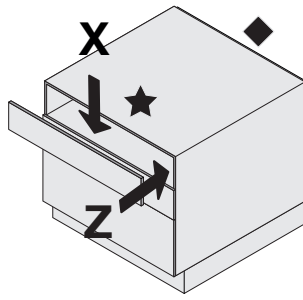


5

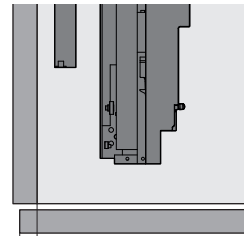
i



950.0834.MA

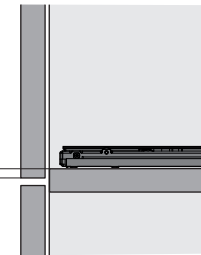


X

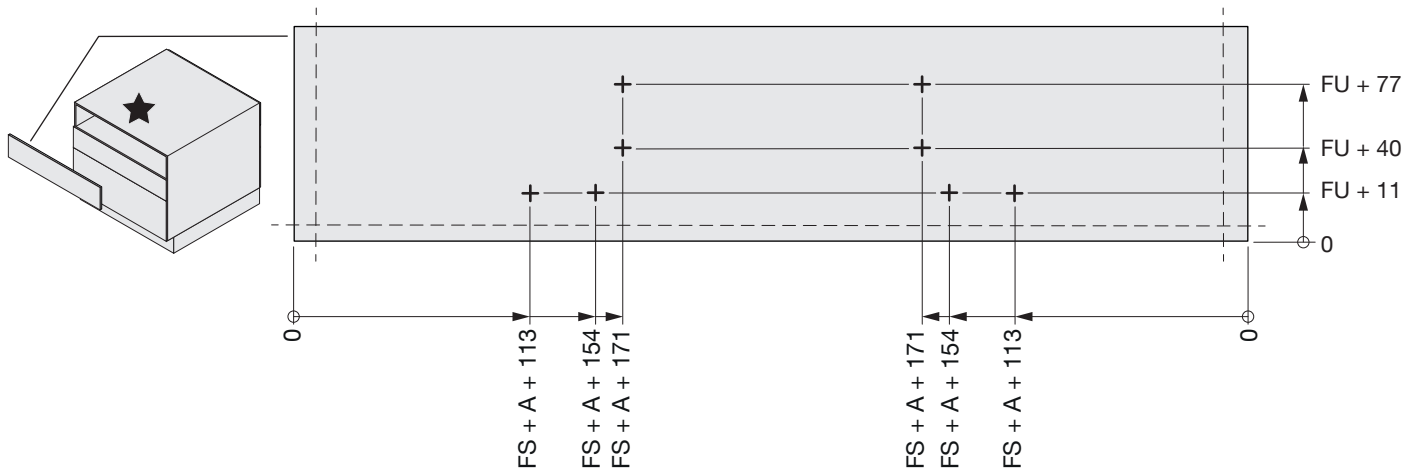
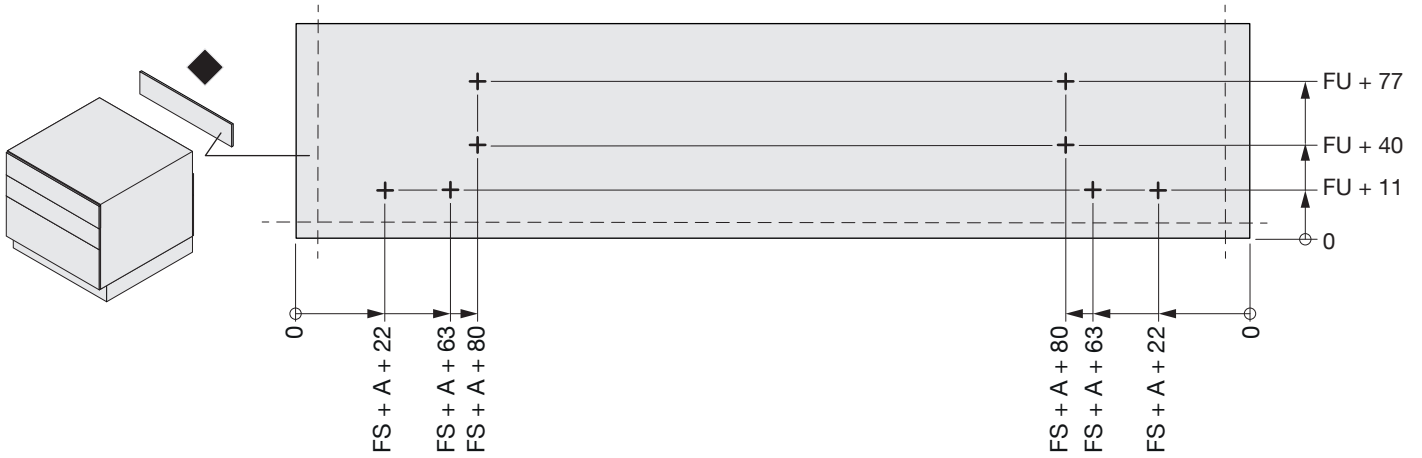
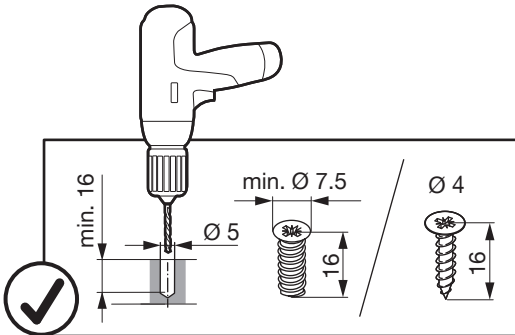
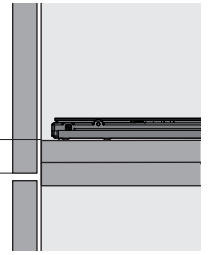


Z

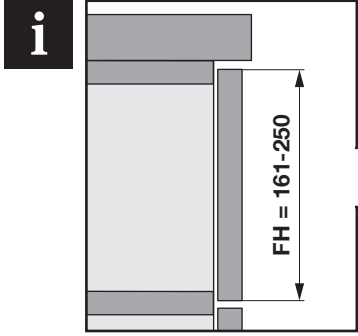
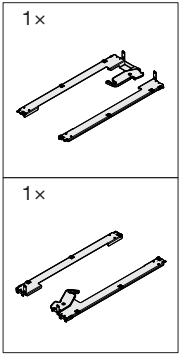
EB ≤ 600



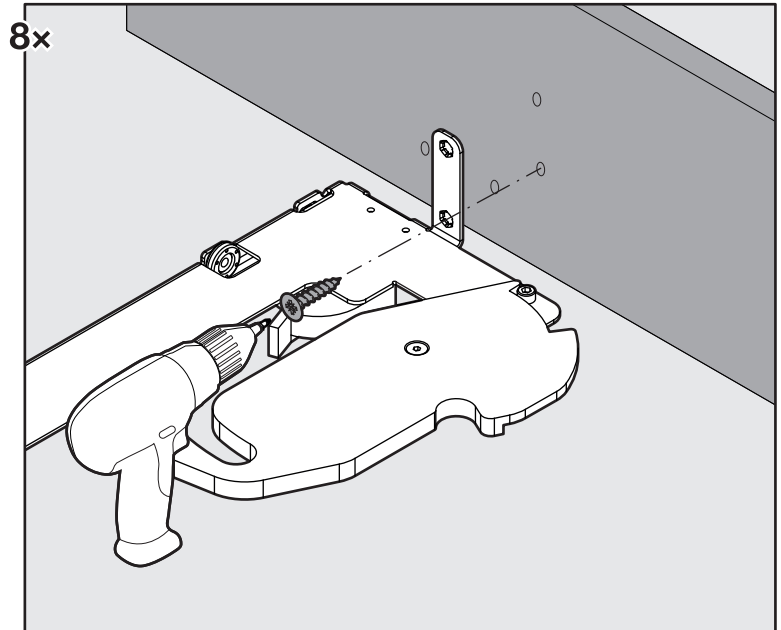
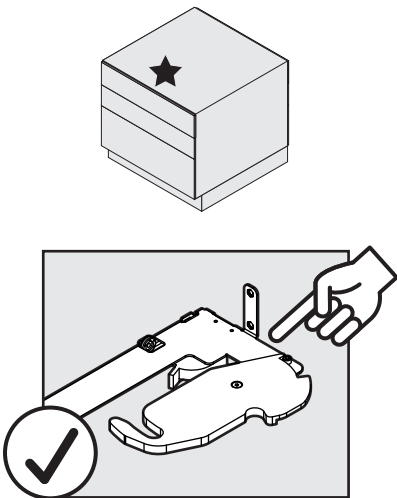
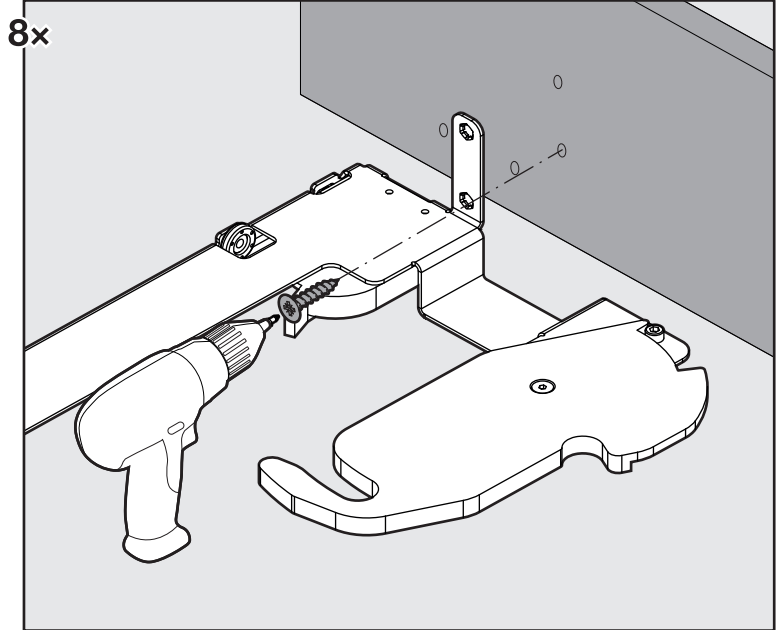
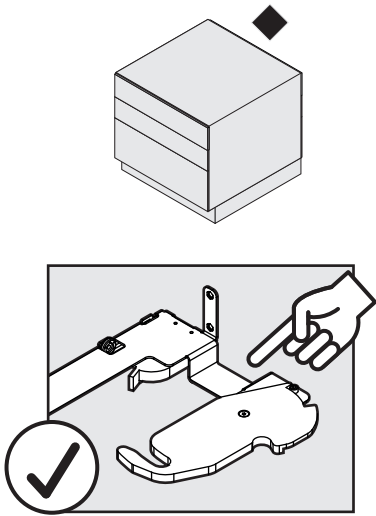
EB ≥ 601






6

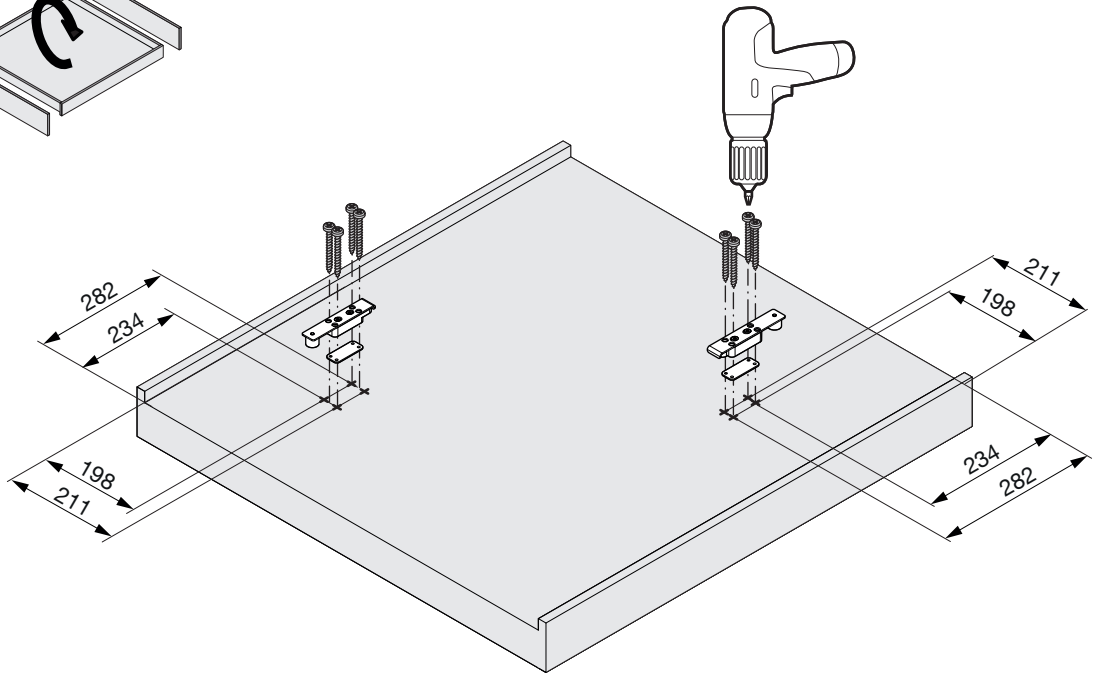
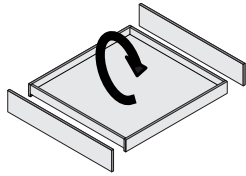


950.0834.MA




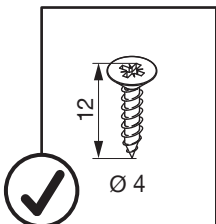
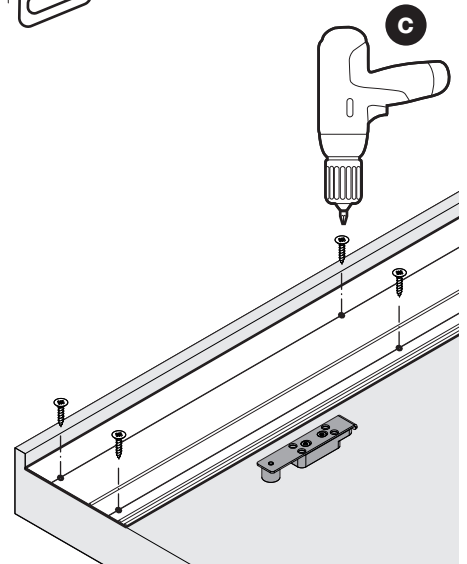
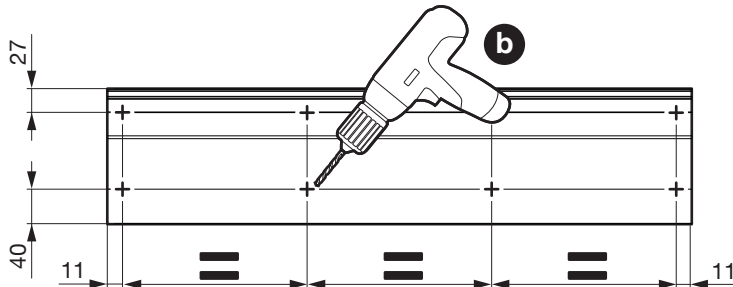
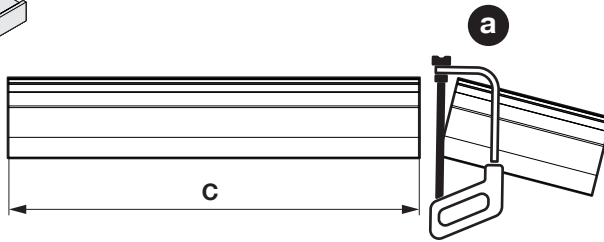
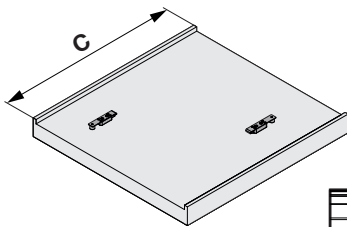
7

- 2x 
- 2x 
- 8x   
Ø 4x25

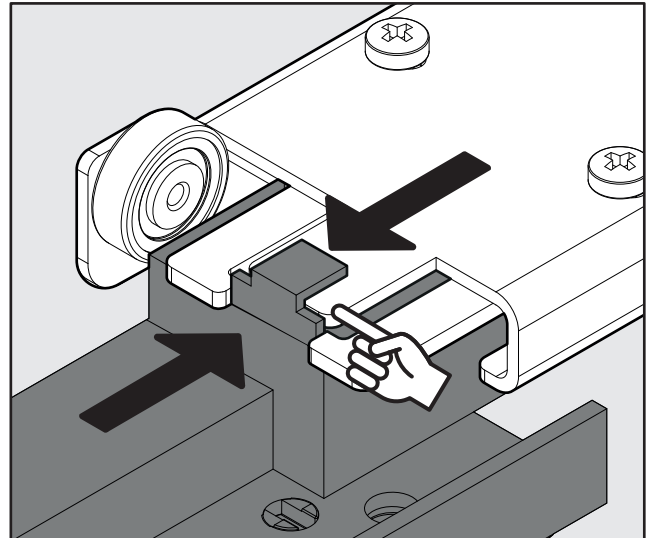
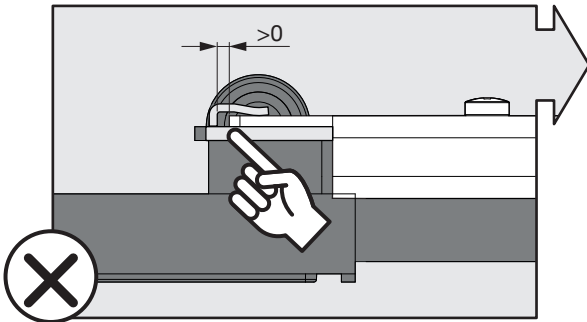
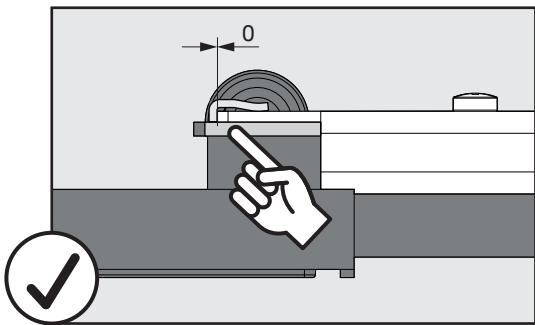
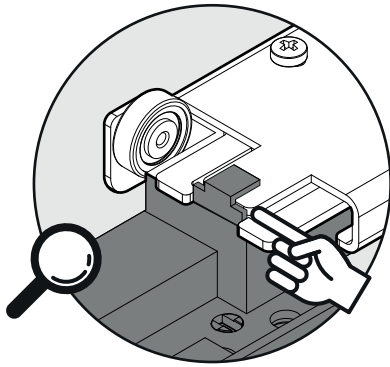
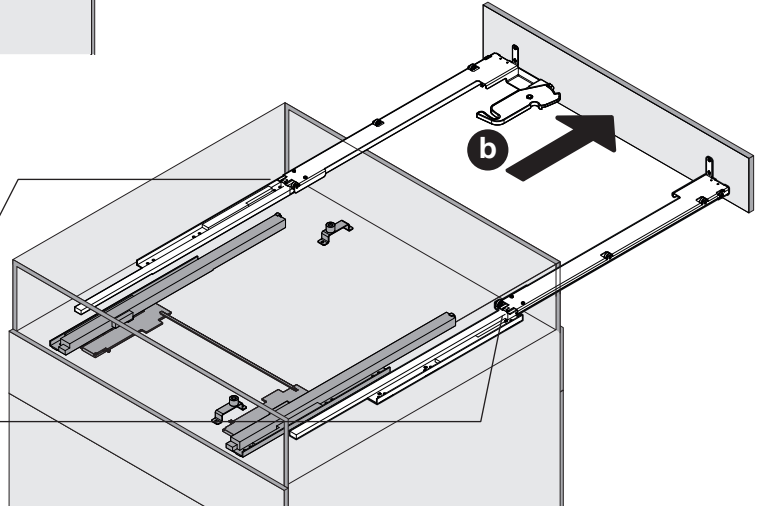
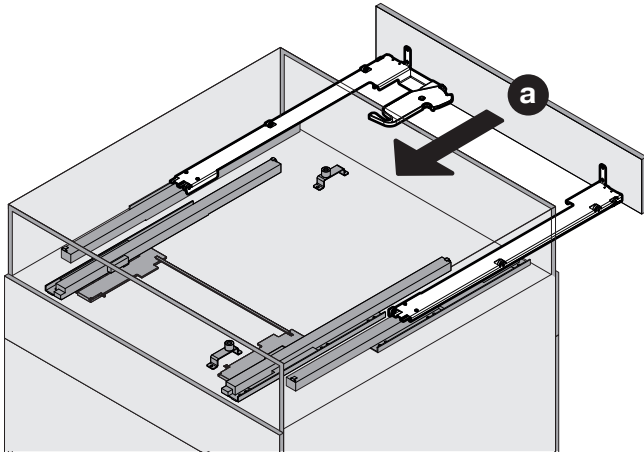


8

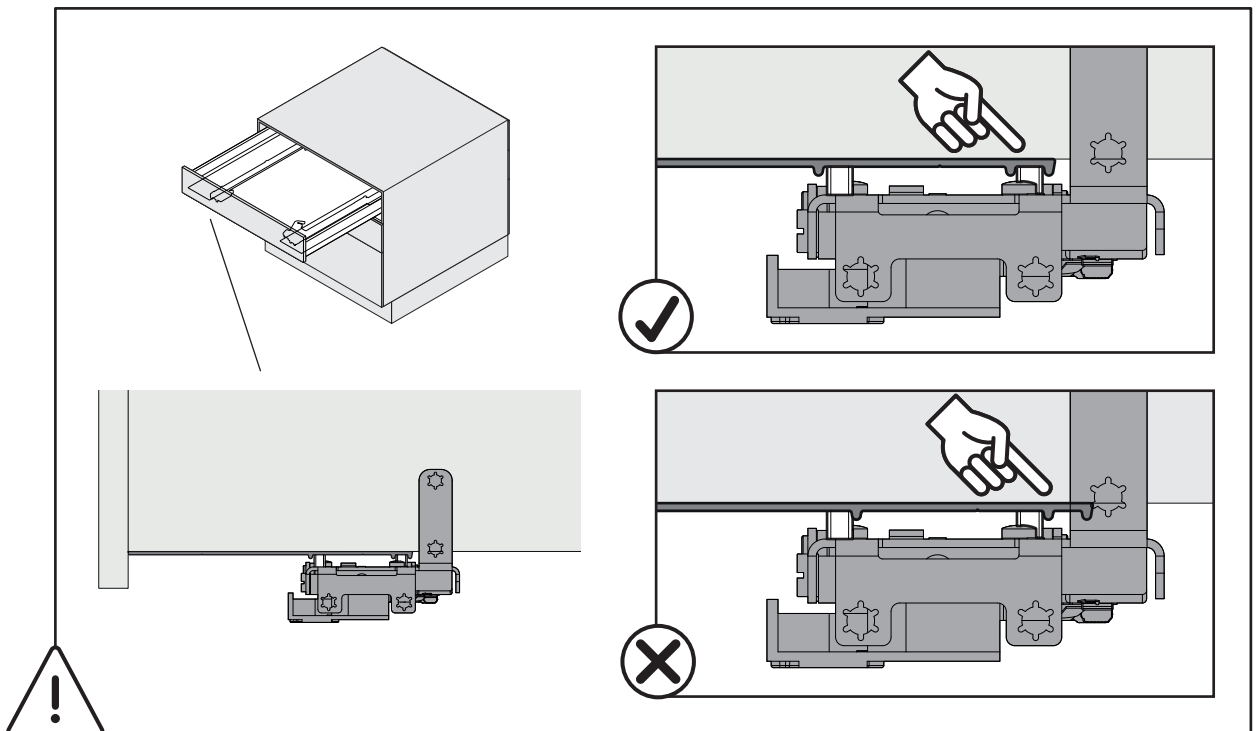
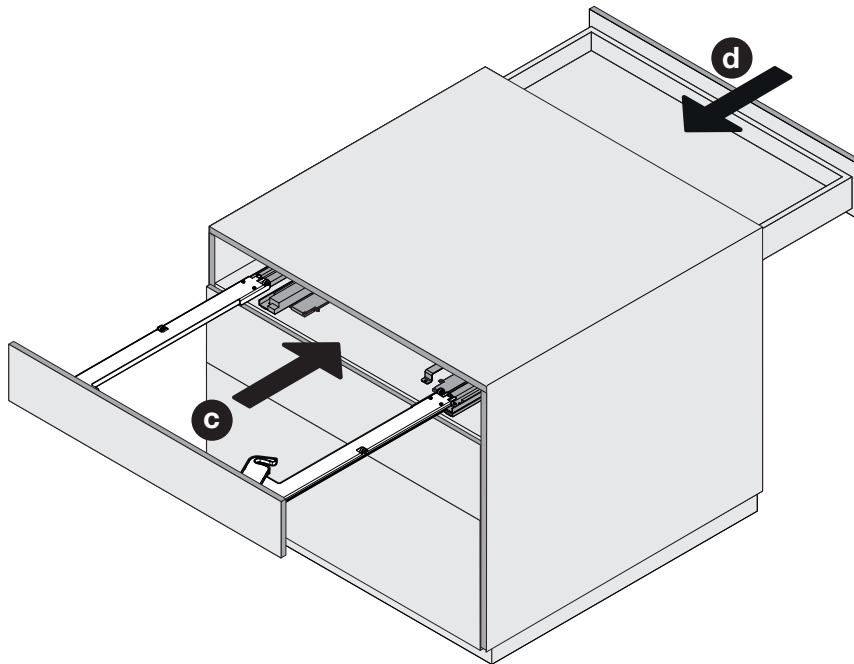
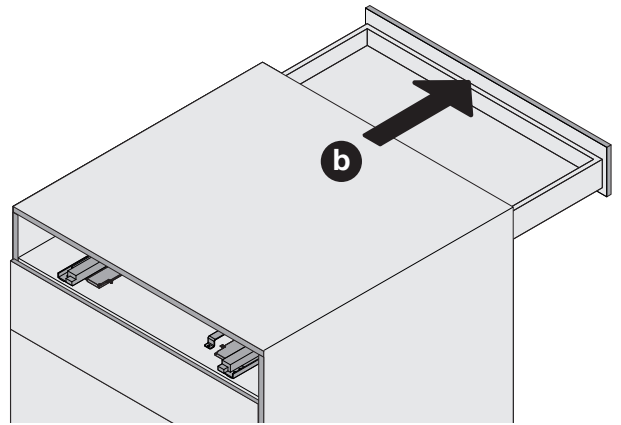
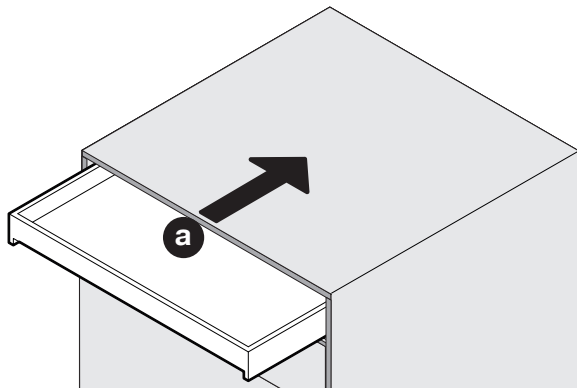
- 2x 



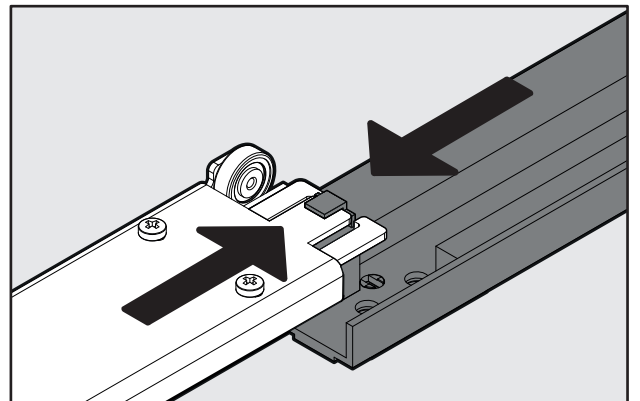
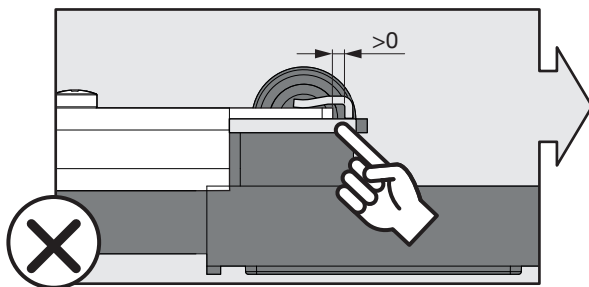
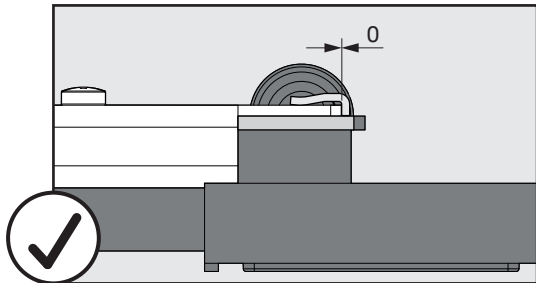
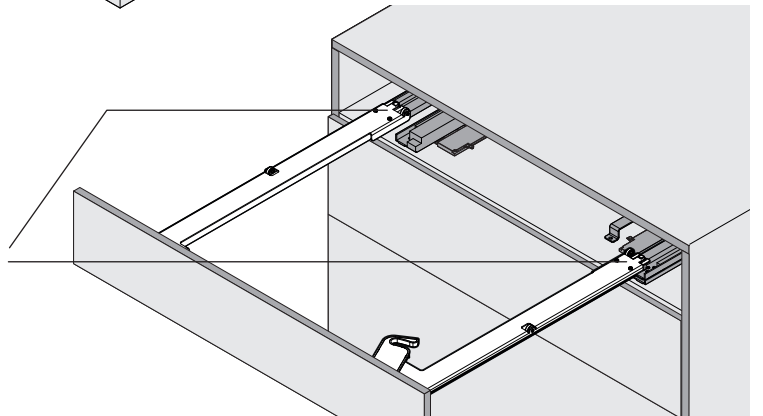
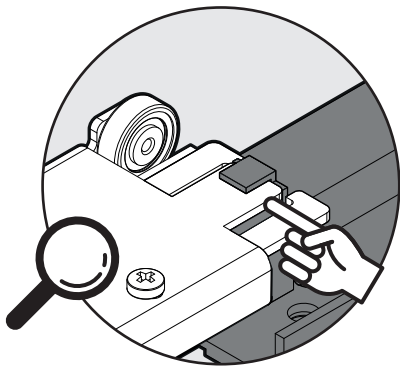
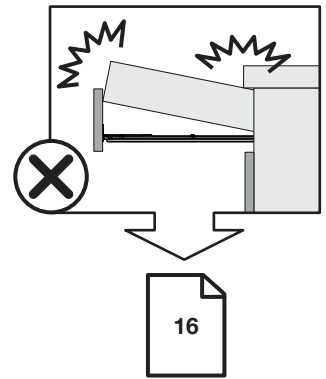
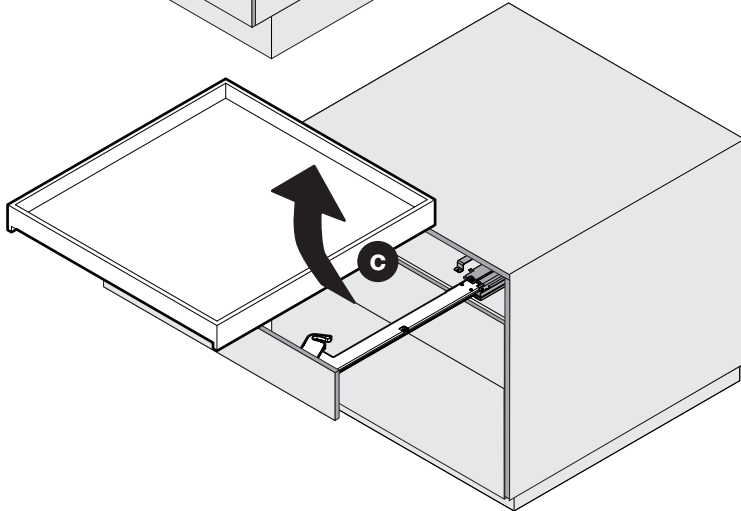
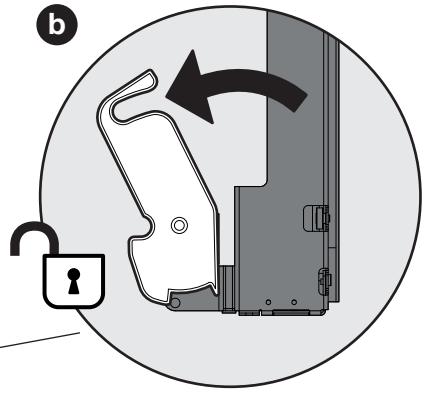
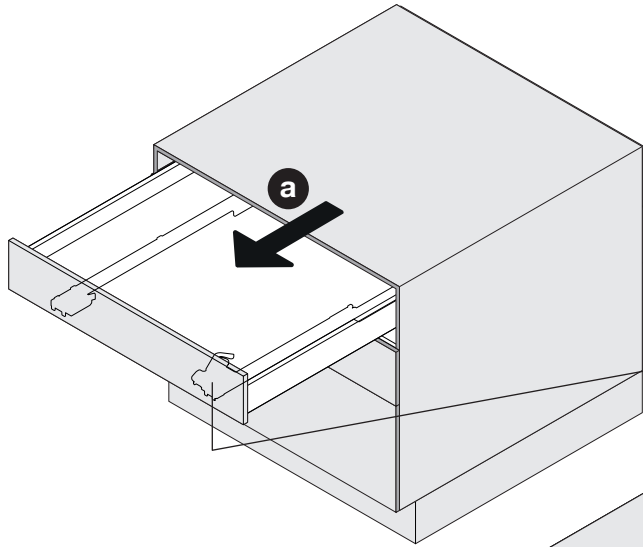
9



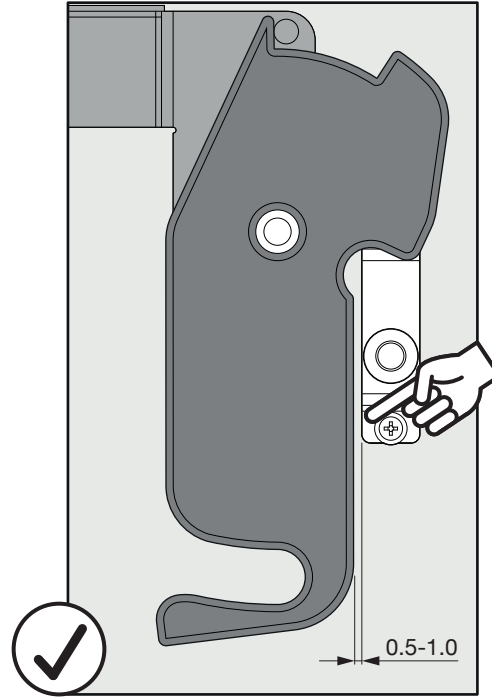
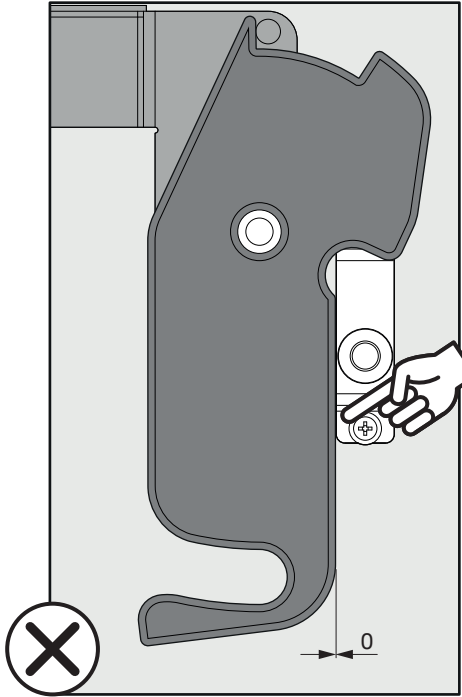
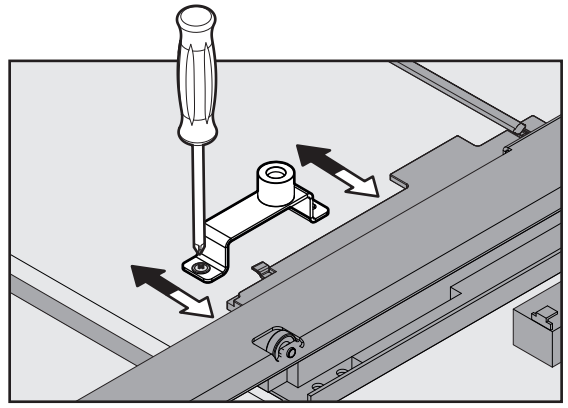
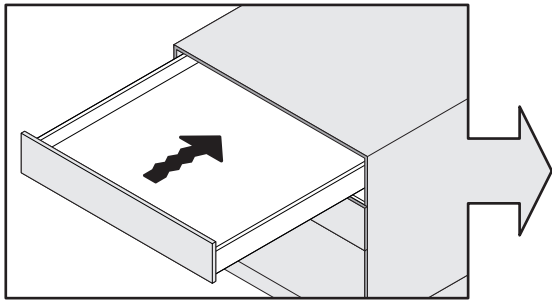
10



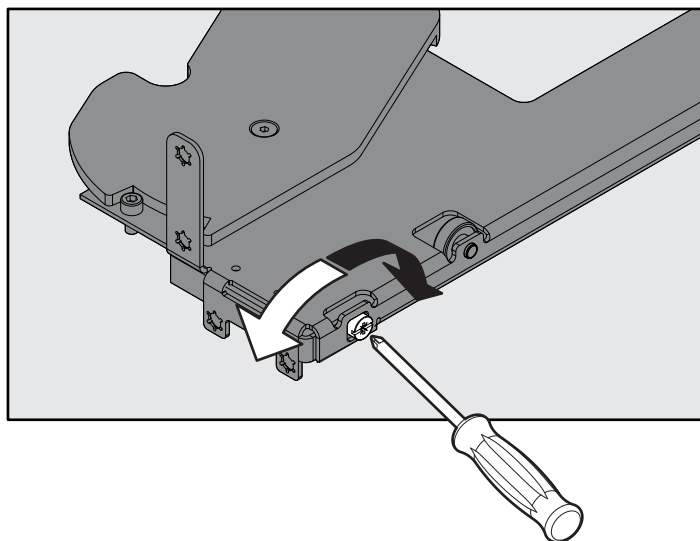
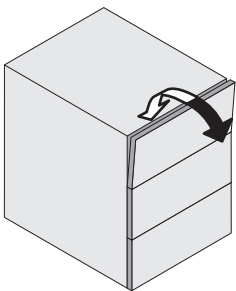
11



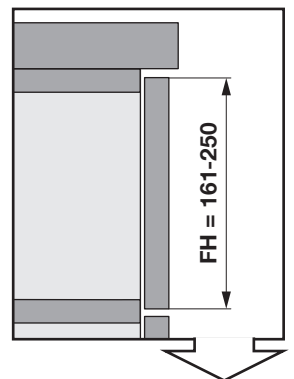
**i**



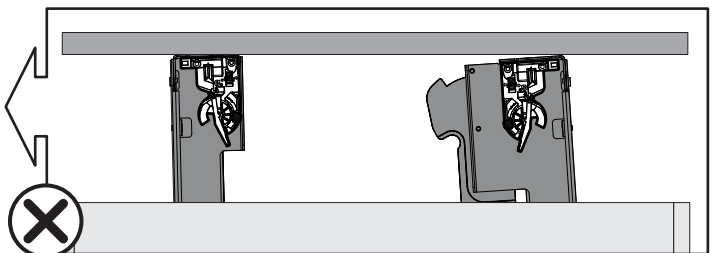
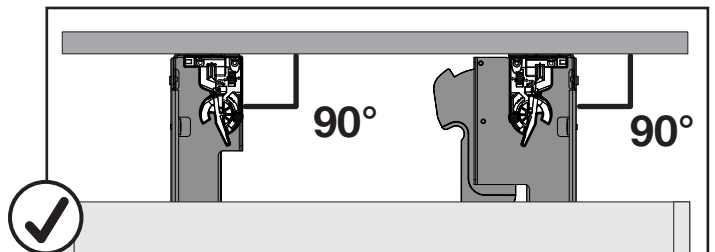
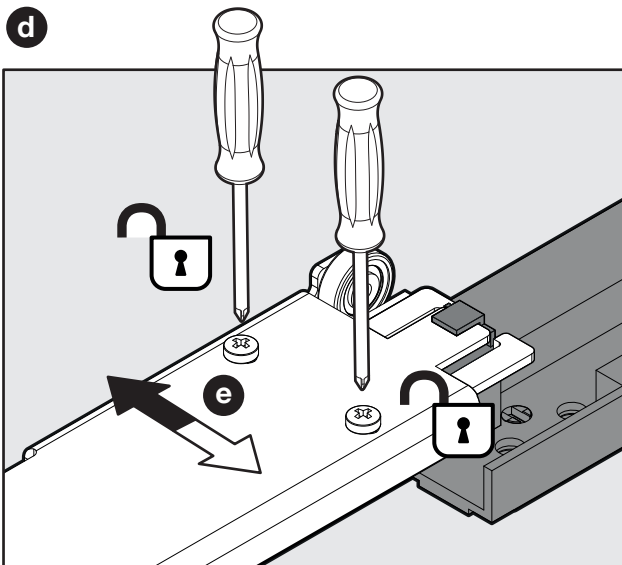
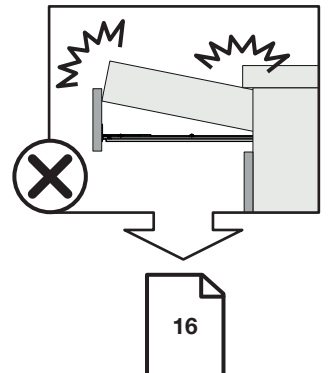
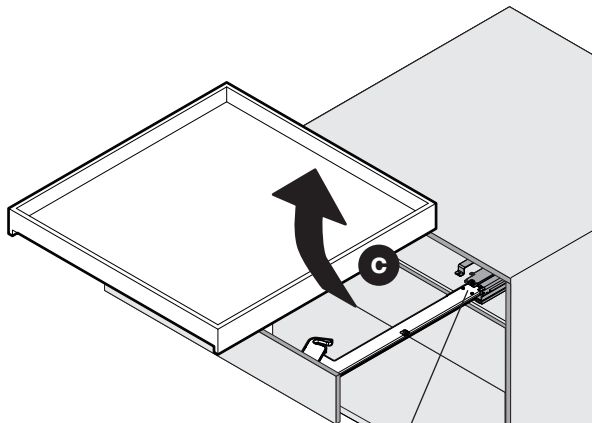
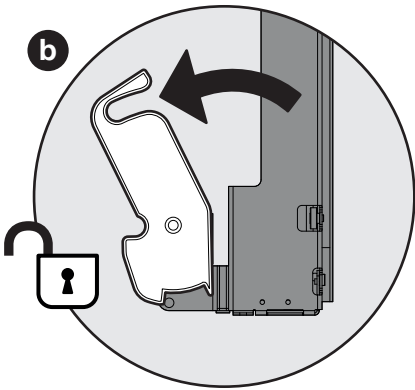
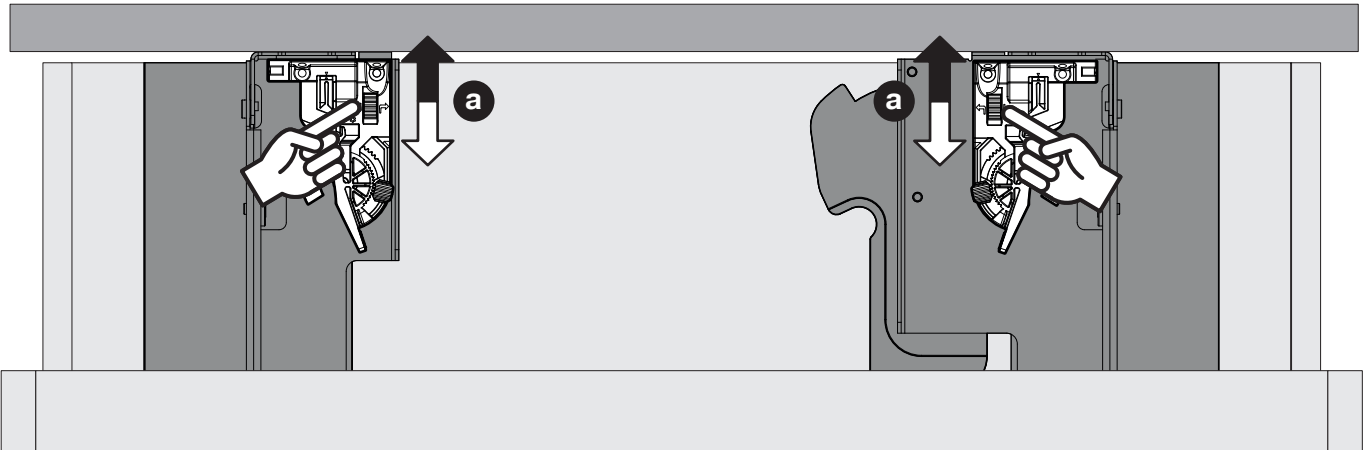
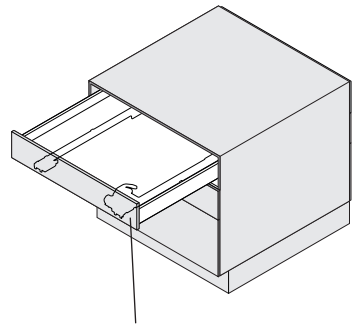
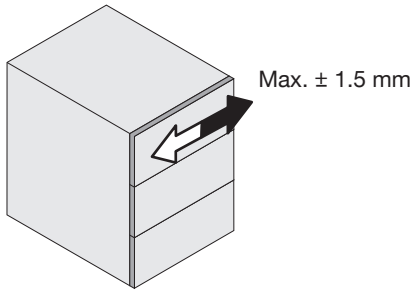
**i**

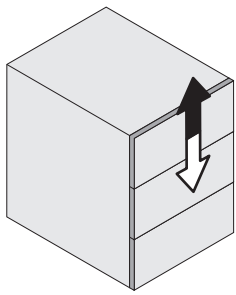


**i**

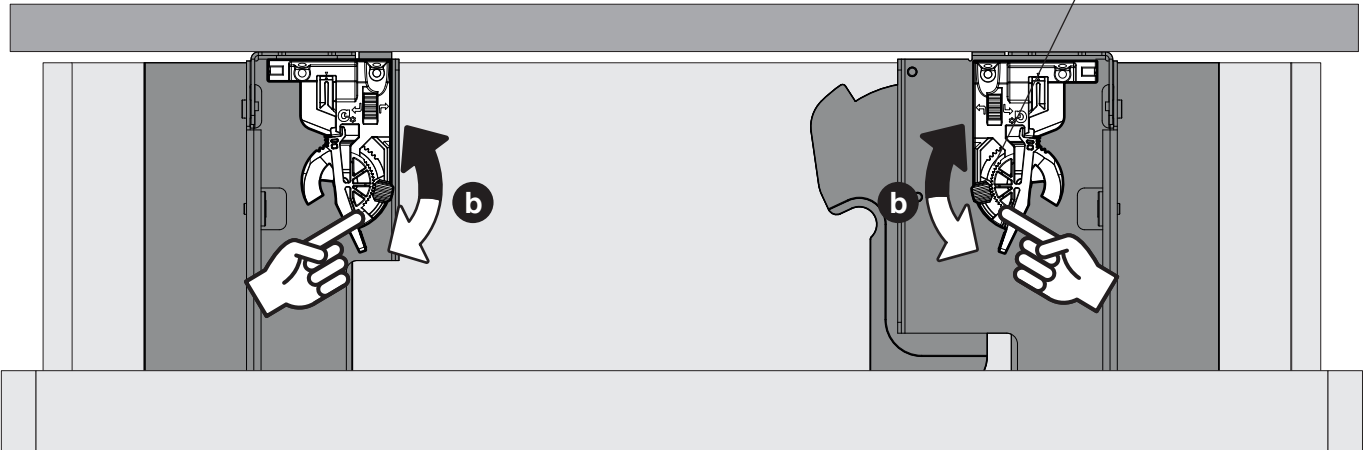
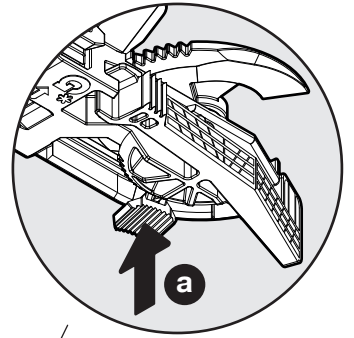
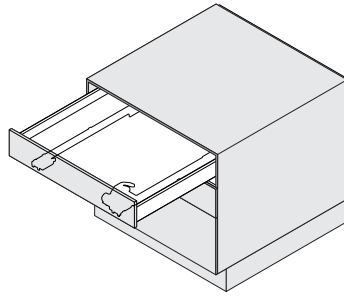


950.0834.MA

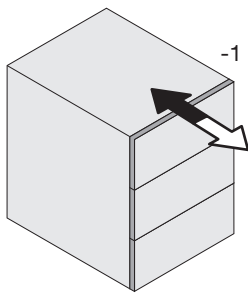




-1mm / +2.5mm



Option push



-1 mm / +3 mm

