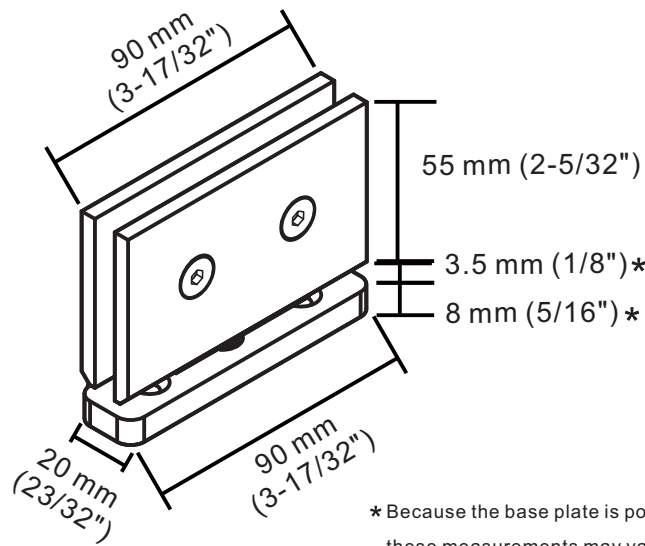
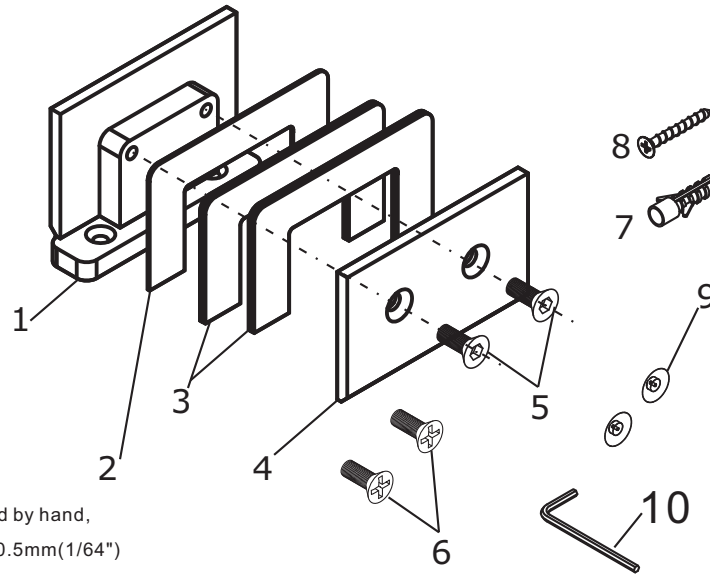


\* See online for available finishes  
 \* For 8-10mm (5/16"-3/8") glass



\* Because the base plate is polished by hand, these measurements may vary ±0.5mm(1/64")



**Components for 1 hinge:**

S. N	Name	Qty
1	Hinge	1
2	Gasket A (1 mm. with projecting rim)	1
3	Gasket B (1 mm)	2
4	Hinge plate	1
5	Hex Screws M6x14 mm	2
6	Phillips Screws M6x14 mm	2
7	Plastic anchor	2
8	Self-tapping Screw	2
9	Cap for screw (for 140 finish only)	2
10	Allen Key	1

- ▶ **8 mm (5/16") glass:**  
 1 mm (1/32") gasket A x 1PC + 1 mm (1/32") gasket B x 2PC
- ▶ **10 mm (3/8") glass:**  
 1 mm (1/32") gasket A x 1PC + 1 mm (1/32") gasket B x 1PC
- ▶ **Capacity for 2 hinges:**  
 Weight: 45 kg (99 lb)  
 Door width: 787 mm (31")

## Glass template:

