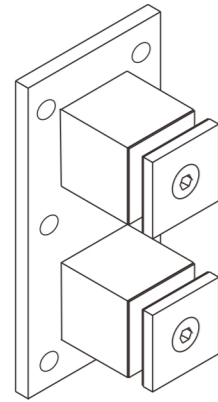


GLASS STANDOFF WITH 2 POINT MOUNTING

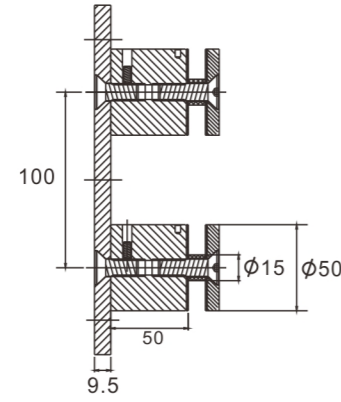
Code No.: 706SP0222205XXX

* Available in several finishes

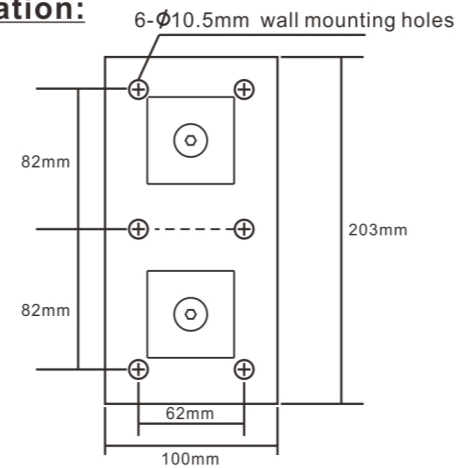
FRONT VIEW:



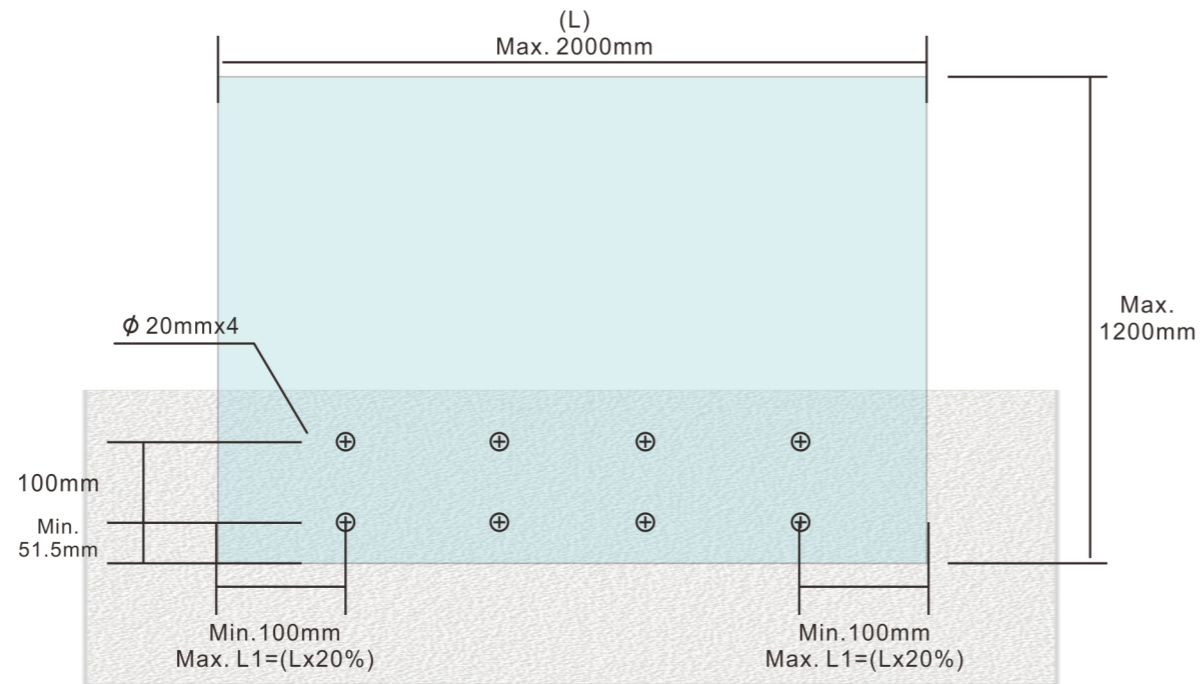
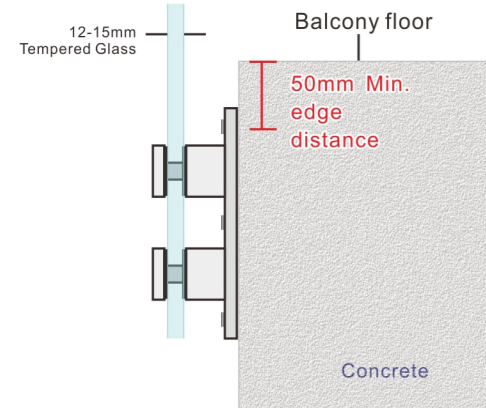
SIDE VIEW:



Wall installation:



Glass template:



* For 2-4 standoffs depending on weight, see instructions for details

GLASS STANDOFF WITH 2 POINT MOUNTING

Code No.: 706SP0222205XXX

* Available in several finishes

Installation steps:

<h4>Tools</h4> <p>Tools required for the installation.</p>	<p>1 Determine the number of standoff brackets necessary using the table below.</p> <table border="1"> <thead> <tr> <th>Weight</th> <th>Quantity</th> </tr> </thead> <tbody> <tr> <td>0-45kgs</td> <td>2</td> </tr> <tr> <td>45-68kgs</td> <td>3</td> </tr> <tr> <td>68-90kgs</td> <td>4</td> </tr> </tbody> </table> <p>* Actual weight capacity depends on mounting hardware and substrate material</p>	Weight	Quantity	0-45kgs	2	45-68kgs	3	68-90kgs	4	<p>2 Using a level, mark a guide line across your wall where you intend to install your spigots.</p>
Weight	Quantity									
0-45kgs	2									
45-68kgs	3									
68-90kgs	4									
<p>3 1. Mark the top holes for each standoff along the guideline and mark the remaining holes according to the template.</p>	<p>4 Drill six holes, 12mm in diameter and 95-100mm in depth. Insert an anchor bolt into each hole.</p>	<p>5 Place the standoff on the wall and install the mounting screws.</p>								
<p>6 Remove the standoff caps and install the glass as shown with a gasket on either side of the glass. Do not fully tighten the assembly screws.</p>	<p>7 Adjust the glass panel if necessary then fully tighten the assembly screws.</p>	<p>Warning: ***These instructions are for installation on concrete.***</p>								