

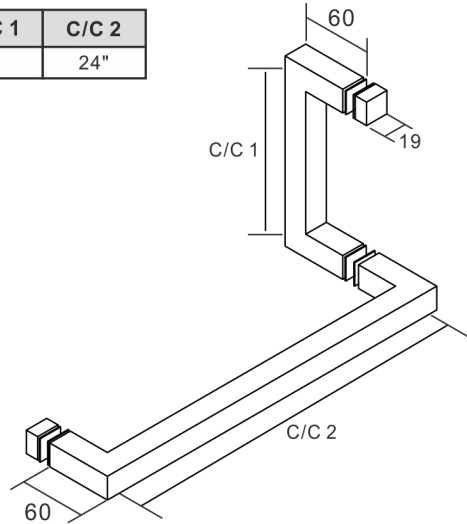
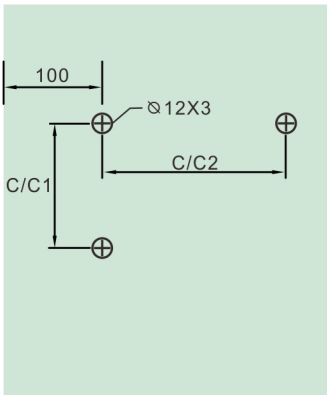
# Combination Handle and Towel Bar

## Installation Manual

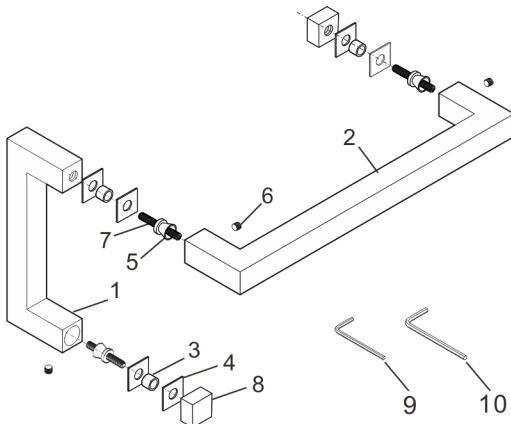
### ► Measurements

CODE	Material	C/C 1	C/C 2
8702S100824XXX	SUS304	8"	24"

\*Available in several finishes



### ► Components



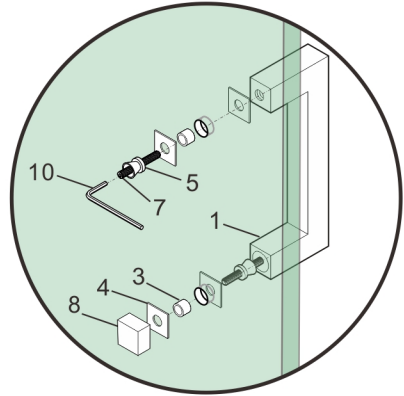
#	Name	Qty
1	Handle	1
2	Towel Bar	1
3	Plastic Washer	3
4	Gasket	6
5	Collar	3
6	Set Screw M5x5mm	3
7	Screw M6x35mm	3
8	Knob	2
9	Allen Key 2.5mm	1
10	Allen Key 3mm	1

## Combination Handle and Towel Bar

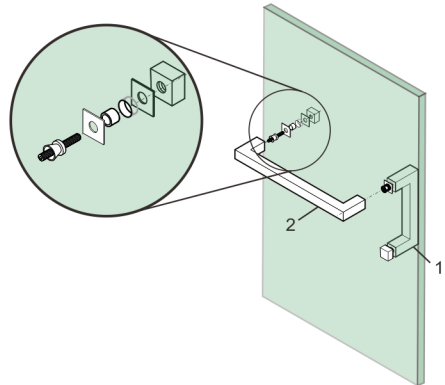
### Installation Manual

Use the 3mm Allen key to install the handle as shown with a gasket on each side of the glass.

★ Use the 35mm screw for glass doors 6-12mm thick



Install the second knob and then install the towel bar onto the two collars.



Install the set screws and tighten with the Allen key to finish the installation.

