

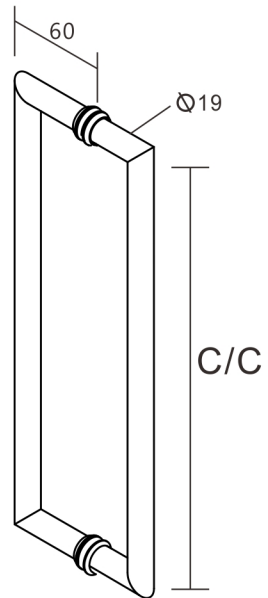
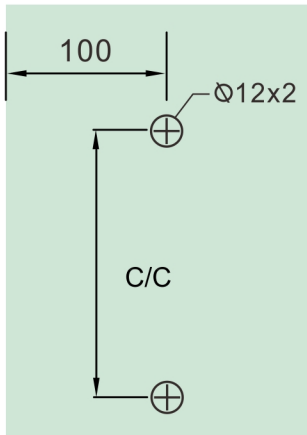
# Mitered Tubular Pull Handle

## Installation Manual

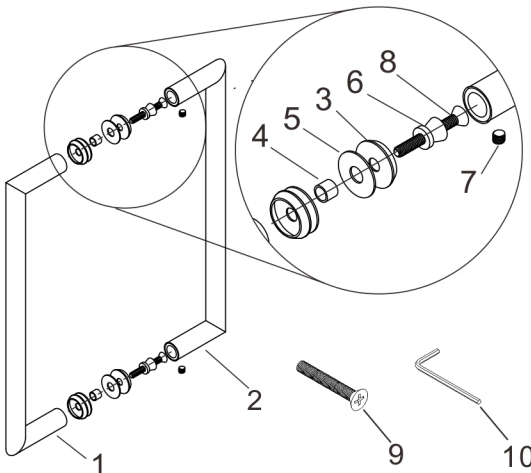
### ► Measurements

| CODE          | Material | C/C |
|---------------|----------|-----|
| 8702S10424XXX | SUS316   | 24" |

\*Available in several finishes



### ► Components



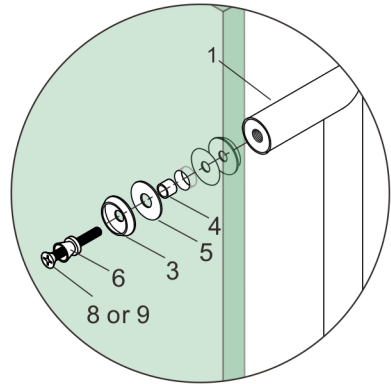
| #  | Name                 | Qty |
|----|----------------------|-----|
| 1  | Exterior Handle      | 1   |
| 2  | Interior Handle      | 1   |
| 3  | Metal Washer dia25mm | 4   |
| 4  | Plastic Washer       | 2   |
| 5  | Gasket               | 4   |
| 6  | Collar               | 2   |
| 7  | Set Screw M5X5mm     | 2   |
| 8  | Screw M6x40mm        | 2   |
| 9  | Screw M6x80mm        | 2   |
| 10 | Allen Key 2.5mm      | 1   |

## Mitered Tubular Pull Handle

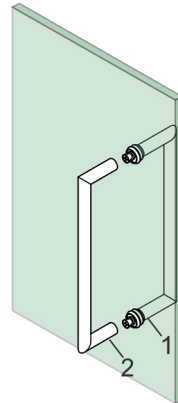
### Installation Manual

Install the exterior handle as shown with one gasket and metal washer on each side of the glass.

- ★ Phillips screwdriver not included
- ★ Use the 40mm screw for glass doors 6-12mm thick
- ★ Use the 80mm screw for wood doors 35-50mm thick



Install the interior handle onto the collars.



Install the set screws and tighten with the Allen key to finish the installation.

