

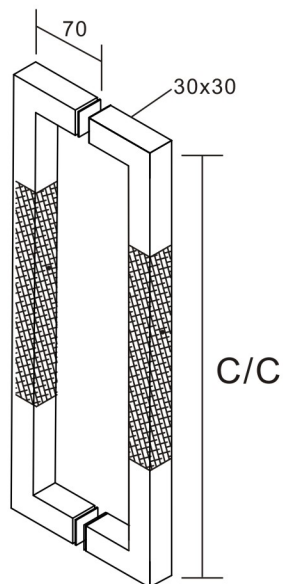
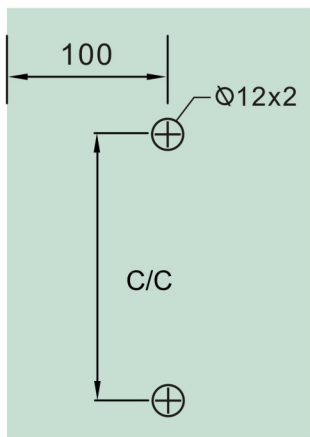
# Square Tubular Pull Handle

## Installation Manual

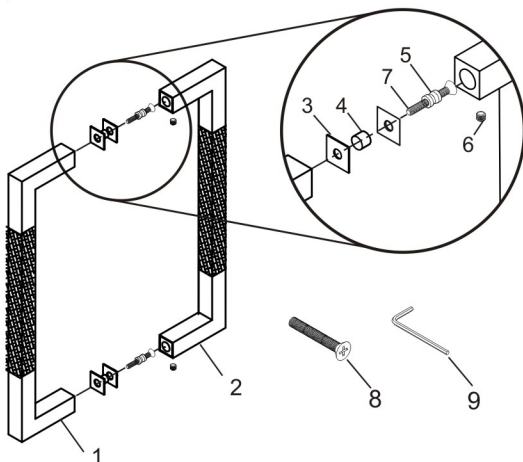
### ► Measurements

CODE	Material	C/C
70524SQ30BWXXX	SUS304+WOOD	24"

\*Available in several finishes



### ► Components



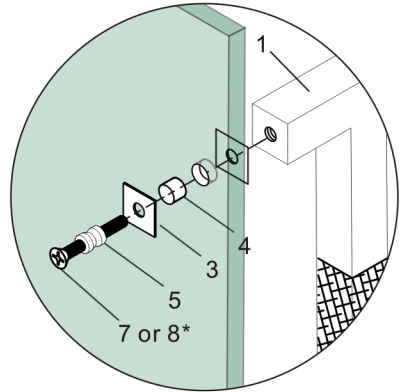
#	Name	Qty
1	Exterior Handle	1
2	Interior Handle	1
3	Gasket	4
4	Plastic Washer	2
5	Collar	2
6	Set Screw M6x5mm	2
7	Screw M8x45mm	2
8	Screw M8x80mm	2
9	Allen Key 3mm	1

## Square Tubular Pull Handle

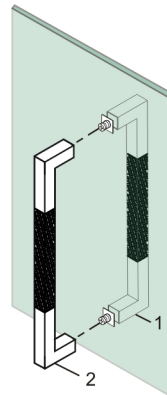
### Installation Manual

Install the exterior handle as shown with one gasket on each side of the glass.

- ★ Phillips screwdriver not included
- ★ Use the 45mm screw for glass doors 8-12mm thick
- ★ Use the 80mm screw for wood doors 35-50mm thick



Install the interior handle onto the collars.



Install the set screws and tighten with the Allen key to finish the installation.

