

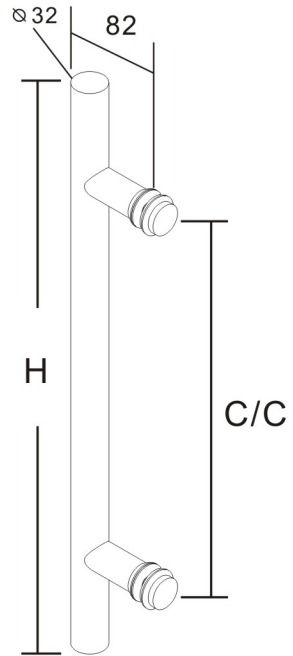
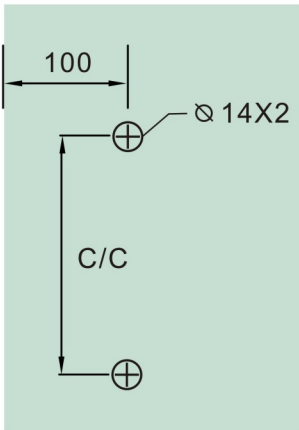
# Round Ladder Handle

## Installation Manual

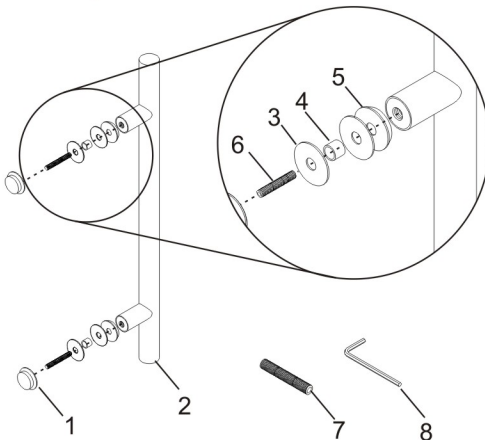
### ► Measurements

CODE	Material	H	C/C
705483632SSXXX	SUS316	48"	36"

\*Available in several finishes



### ► Components



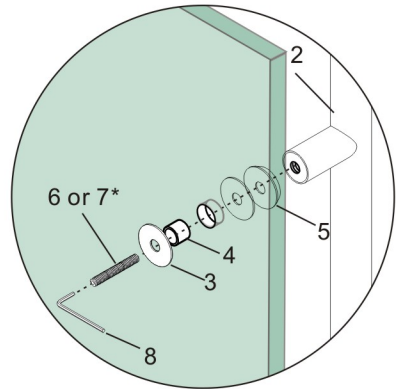
#	Name	Qty
1	Knob	2
2	Handle	1
3	Gasket	4
4	Washer	2
5	Metal Washer dia32mm	2
6	Screw M8x35mm	2
7	Screw M8x80mm	2
8	Allen Key 4mm	1

## Round Ladder Handle

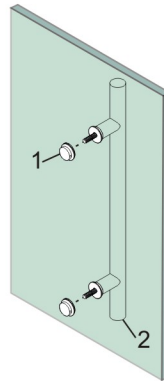
### Installation Manual

Install the handle as shown with the metal washer on the handle side and a gasket on either side of the glass.

- ★ Use the 35mm screw for glass doors 8-12mm thick
- ★ Use the 80mm screw for wood doors 35-50mm thick



Install the knobs onto the mounting screws.



Use a standoff wrench to tighten the knobs and finish the installation.

- ★ Standoff wrench not included

