

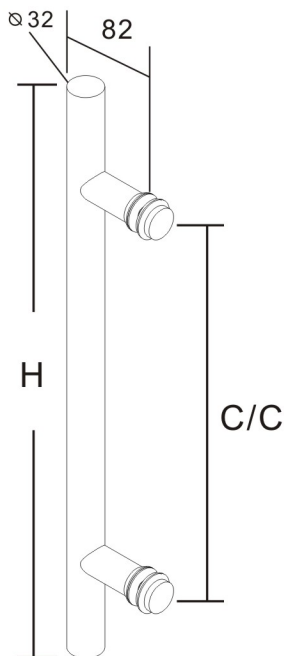
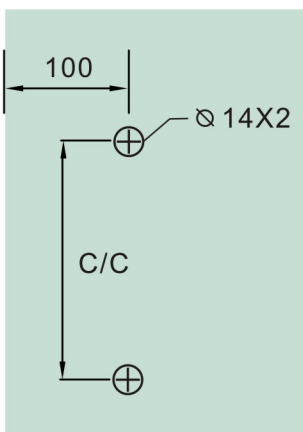
# Round Ladder Handle

## Installation Manual

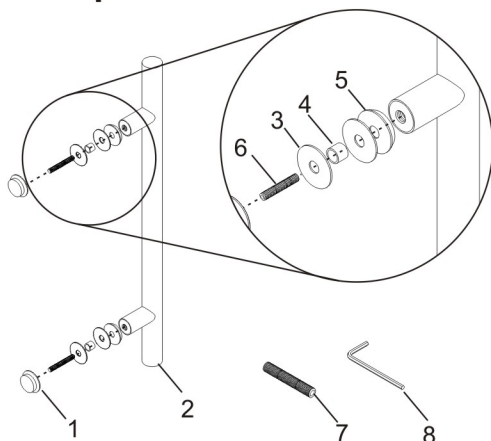
### ► Measurements

| CODE           | Material | H   | C/C |
|----------------|----------|-----|-----|
| 705362432SSXXX | SUS316   | 36" | 24" |

\*Available in several finishes



### ► Components



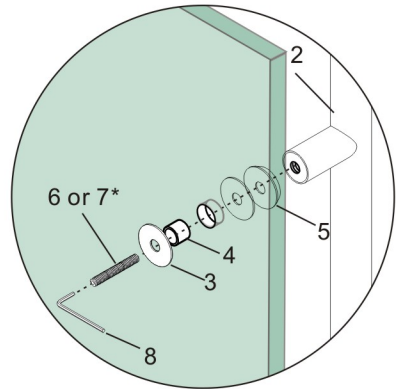
| # | Name                 | Qty |
|---|----------------------|-----|
| 1 | Knob                 | 2   |
| 2 | Handle               | 1   |
| 3 | Gasket               | 4   |
| 4 | Washer               | 2   |
| 5 | Metal Washer dia32mm | 2   |
| 6 | Screw M8x35mm        | 2   |
| 7 | Screw M8x80mm        | 2   |
| 8 | Allen Key 4mm        | 1   |

## Round Ladder Handle

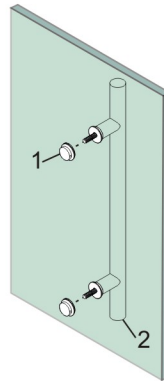
### Installation Manual

Install the handle as shown with the metal washer on the handle side and a gasket on either side of the glass.

- ★ Use the 35mm screw for glass doors 8-12mm thick
- ★ Use the 80mm screw for wood doors 35-50mm thick



Install the knobs onto the mounting screws.



Use a standoff wrench to tighten the knobs and finish the installation.

- ★ Standoff wrench not included

