

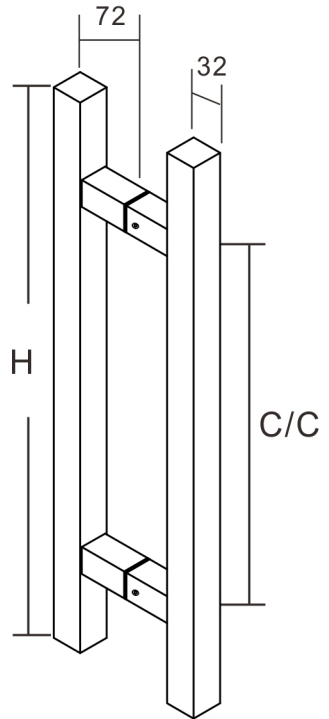
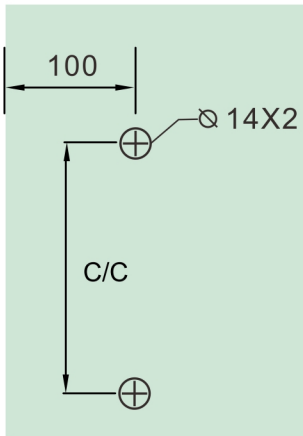
Square Ladder Handle

Installation Manual

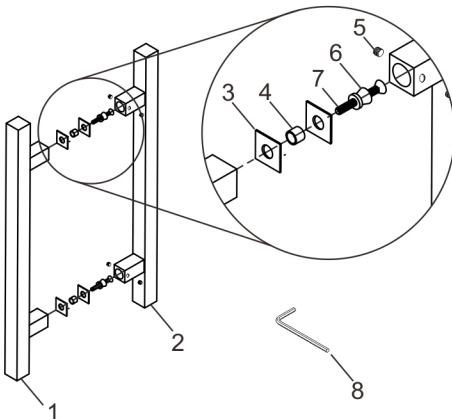
► Measurements

CODE	Material	H	C/C
701DH153236XXX	SUS316	36"	24"

*Available in several finishes



► Components



#	Name	Qty
1	Exterior Handle	1
2	Interior Handle	1
3	Gasket	4
4	Plastic Washer	2
5	Set screw M6x6mm	4
6	Collar	2
7	Screw M8x45mm	2
8	Allen Key 3mm	1

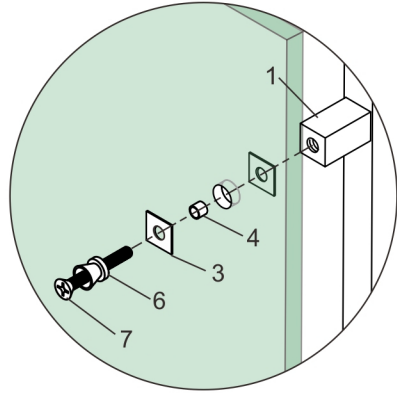
Square Ladder Handle

Installation Manual

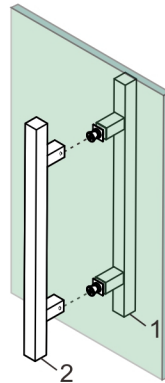
Install the exterior handle as shown with one gasket on each side of the glass.

★ Phillips screwdriver not included

★ Use the 45mm screw for glass doors 8-12mm thick



Install the interior handle onto the collars.



Install the set screws and tighten with the Allen key to finish the installation.

