

Instruction - RCS322 Hinges

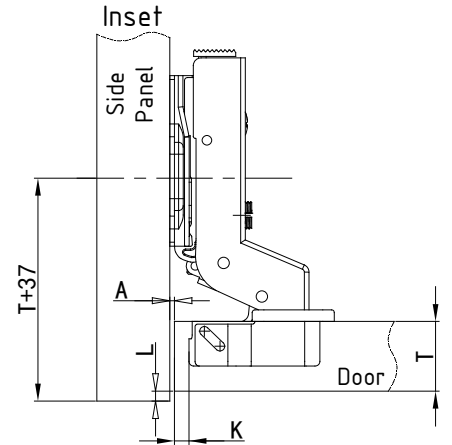
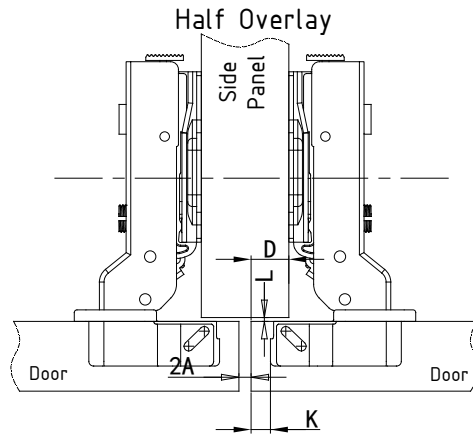
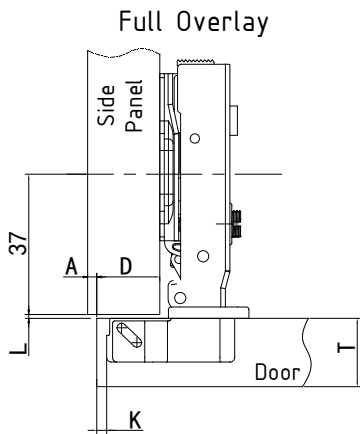


Overlay Factory Setting

K = Drilling setback
H = Plate height

D = Overlay
T = Door thickness

A = Reveal
L = Door gap



L = 1.5 (when plate setback at 37)

$$H = 12 + K - D$$

D \ K	3	4	5	6	7
0	15	16	17	18	19
2	13	14	15	16	17
4	11	12	13	14	15

L = 1.5 (when plate setback at 37)

$$H = 3.5 + K - D$$

D \ K	3	4	5	6	7
0	6.5	7.5	8.5	9.5	10.5
2	4.5	5.5	6.5	7.5	8.5
4	2.5	3.5	4.5	5.5	6.5

L = 0 (when plate setback at 37+T)

$$H = -5 + K + A$$

A \ K	3	4	5	6	7
0	2	1	0		
2	4	3	2	1	0
4	6	5	4	3	2

Minimum Reveal *

(with door edge r=1mm, based on factory setting)

A \ T	14	15	16	17	18	19	20	21	22
3	0.3	0.5	0.7	0.9	1.2	1.5	1.8	2.2	2.6
4	0.3	0.5	0.7	0.9	1.1	1.4	1.8	2.1	2.5
5	0.2	0.4	0.6	0.9	1.1	1.4	1.7	2.0	2.4
6	0.2	0.4	0.6	0.8	1.1	1.3	1.6	2.0	2.4
7	0.2	0.4	0.5	0.8	1.0	1.3	1.6	1.9	2.3

* Additional 0.5 needed for positive overlay adjustment

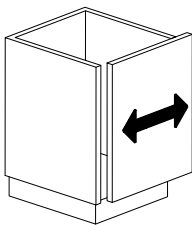
Minimum Door Gap

(with door edge r=1mm, based on factory setting)

L \ T	14	15	16	17	18	19	20	21	22
3	1.0	1.0	1.0	1.0	1.0	1.0	1.0	1.0	1.0
4	1.0	1.0	1.0	1.0	1.0	1.0	1.0	1.0	1.2
5	1.0	1.0	1.0	1.0	1.0	1.3	1.5	1.8	2.0
6	1.0	1.3	1.5	1.8	2.0	2.3	2.5	2.8	3.0
7	2.0	2.3	2.5	2.7	3.0	3.2	3.5	3.7	3.9

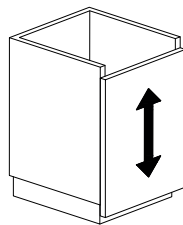
Adjustments

Horizontal



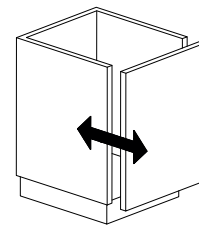
[-2, +2]

Vertical



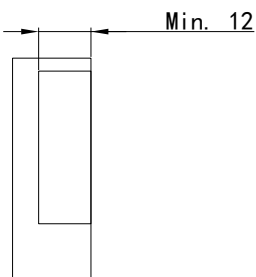
[-2, +2]

Depth

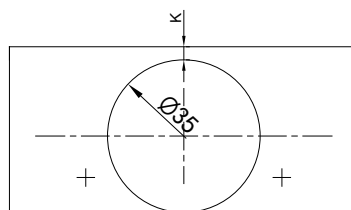


[-2, +2]

Door Drilling



Wood Screw



8mm Dowel

