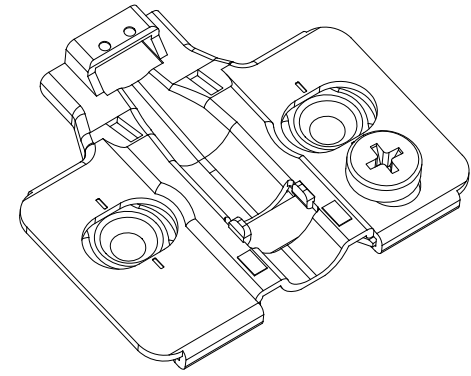
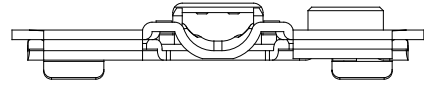


1 2 3 4 5 6 7 8

A

A

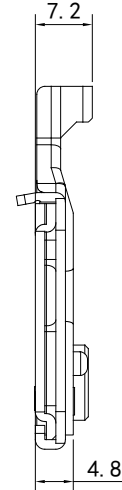
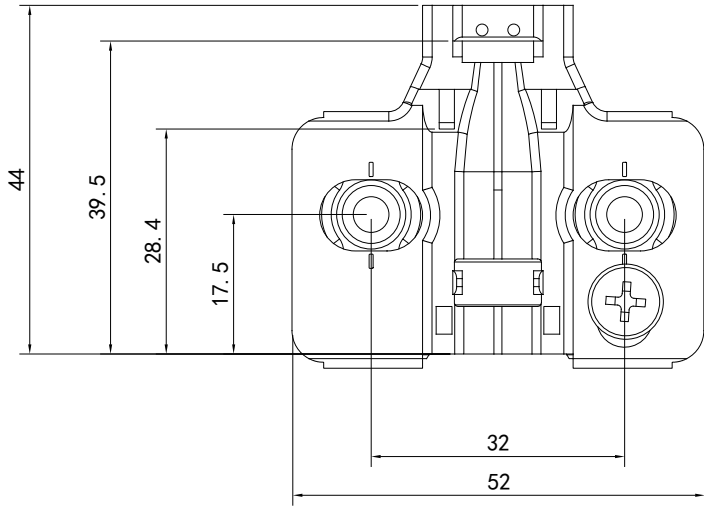


B

B

C

C




D

D

E

E

		Richelieu Hardware		
		PLATE 0MM WOOD EXCENT. ADJ. #RCS00502		
Release	2019.12.05			
Rev.	Date			
		SIZE	DWG.NO.	REV.
		DO NOT SCALE DRAWING		SHEET 1 OF 1

F

F

1 2 3 4 5 6 7 8