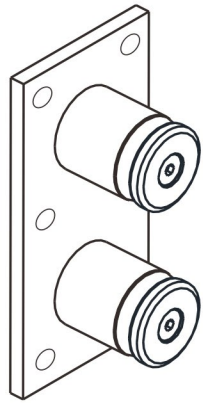
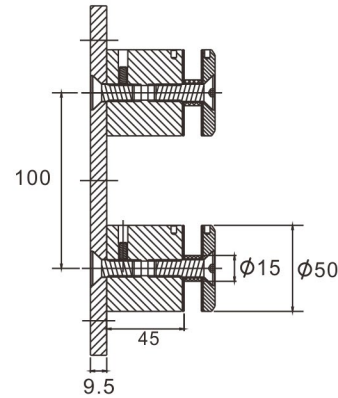


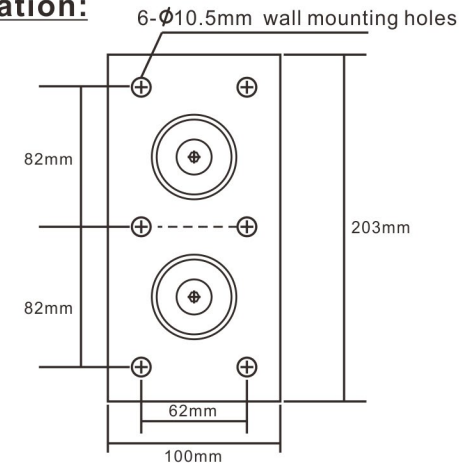
FRONT VIEW:



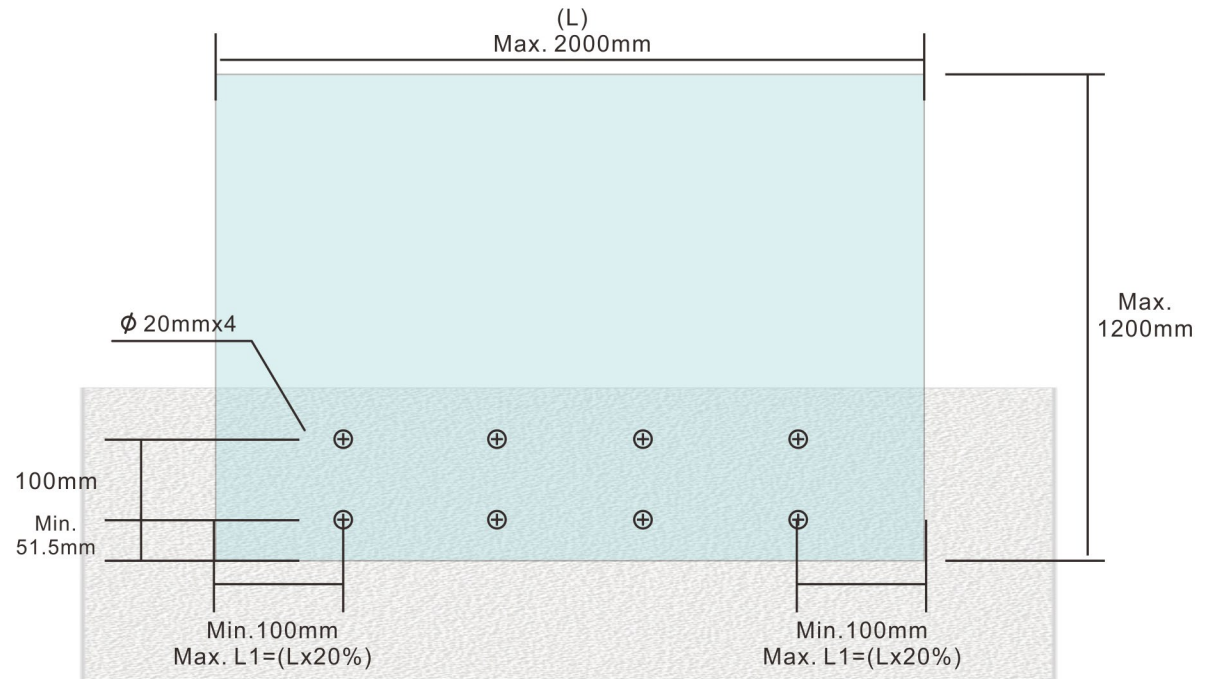
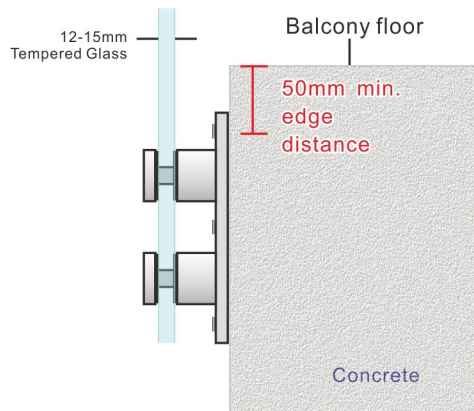
SIDE VIEW:



Wall installation:



Glass template:



* For 2-4 standoffs depending on weight, see instructions for details

Installation steps:

| <p>Tools</p> <p>Tools required for the installation.</p> <p>Level Tape Measure Soft Head Hammer</p> <p>Pencil Power Drill Allen key</p> | <p>1</p> <p>Determine the number of standoff brackets necessary using the table below.</p> <table border="1"> <thead> <tr> <th>Weight</th> <th>Quantity</th> </tr> </thead> <tbody> <tr> <td>0-45kgs</td> <td>2</td> </tr> <tr> <td>45-68kgs</td> <td>3</td> </tr> <tr> <td>68-90kgs</td> <td>4</td> </tr> </tbody> </table> <p>* Actual weight capacity depends on mounting hardware and substrate material</p> | Weight | Quantity | 0-45kgs | 2 | 45-68kgs | 3 | 68-90kgs | 4 | <p>2</p> <p>Using a level, mark a guide line across your wall where you intend to install your spigots.</p> |
|---|---|---|----------|---------|---|----------|---|----------|---|--|
| Weight | Quantity | | | | | | | | | |
| 0-45kgs | 2 | | | | | | | | | |
| 45-68kgs | 3 | | | | | | | | | |
| 68-90kgs | 4 | | | | | | | | | |
| <p>3</p> <p>1. Mark the top holes for each standoff along the guideline and mark the remaining holes according to the template.</p> <p>50mm min. edge distance</p> <p>Balcony floor</p> | <p>4</p> <p>Drill six holes, 12mm in diameter and 95-100mm in depth. Insert an anchor bolt into each hole.</p> <p>Balcony floor</p> <p>Balcony floor</p> <p>φ12</p> <p>M10</p> <p>40</p> | <p>5</p> <p>Place the standoff on the wall and install the mounting screws.</p> <p>Balcony floor</p> | | | | | | | | |
| <p>6</p> <p>Remove the standoff caps and install the glass as shown with a gasket on either side of the glass. Do not fully tighten the assembly screws.</p> <p>Balcony floor</p> <p>glass</p> | <p>7</p> <p>Adjust the glass panel if necessary then fully tighten the assembly screws.</p> <p>Balcony floor</p> <p>glass</p> | <p>***These instructions are for installation on concrete.***</p> | | | | | | | | |