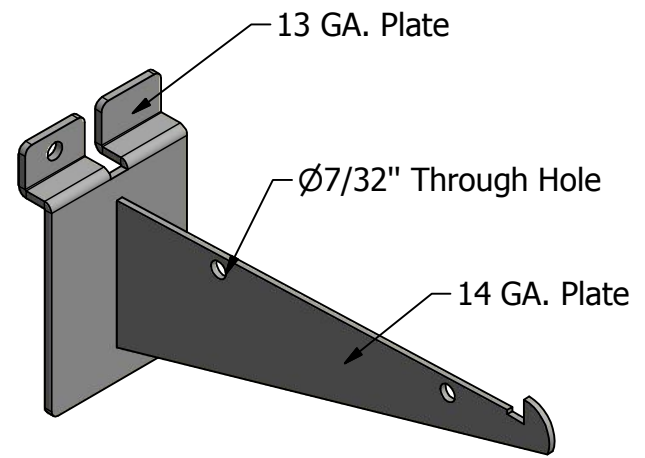


TABLE	
Item NO.	L
2810-6	6"
2810-8	8"
2810-10	10"
2810-12	12"
2810-14	14"
2810-16	16"



REVISION HISTORY				
ZONE	REV	DESCRIPTION	DATE	APPROVED
	1		31/05/2016	
DRAWN				
DATE		31/05/2016		
CHECKED				
MFG		DESCRIPTION		
APPROVED		Shelf Bracket		
QA		FINISH		REV
		Chrome		1
		DWG NO		
		2810		
		QTY		
		SCALE		
		SHEET 1 OF 1		