

R Richelieu *ERGO*



500732590 CPU Holder

The Richelieu 500732590 CPU holder is a streamlined and adjustable device with an innovative strap support design. This enables the CPU to be off the floor or desk surface to create a space-saving solution. By elevating the unit, the users also benefit by its easy accessibility.

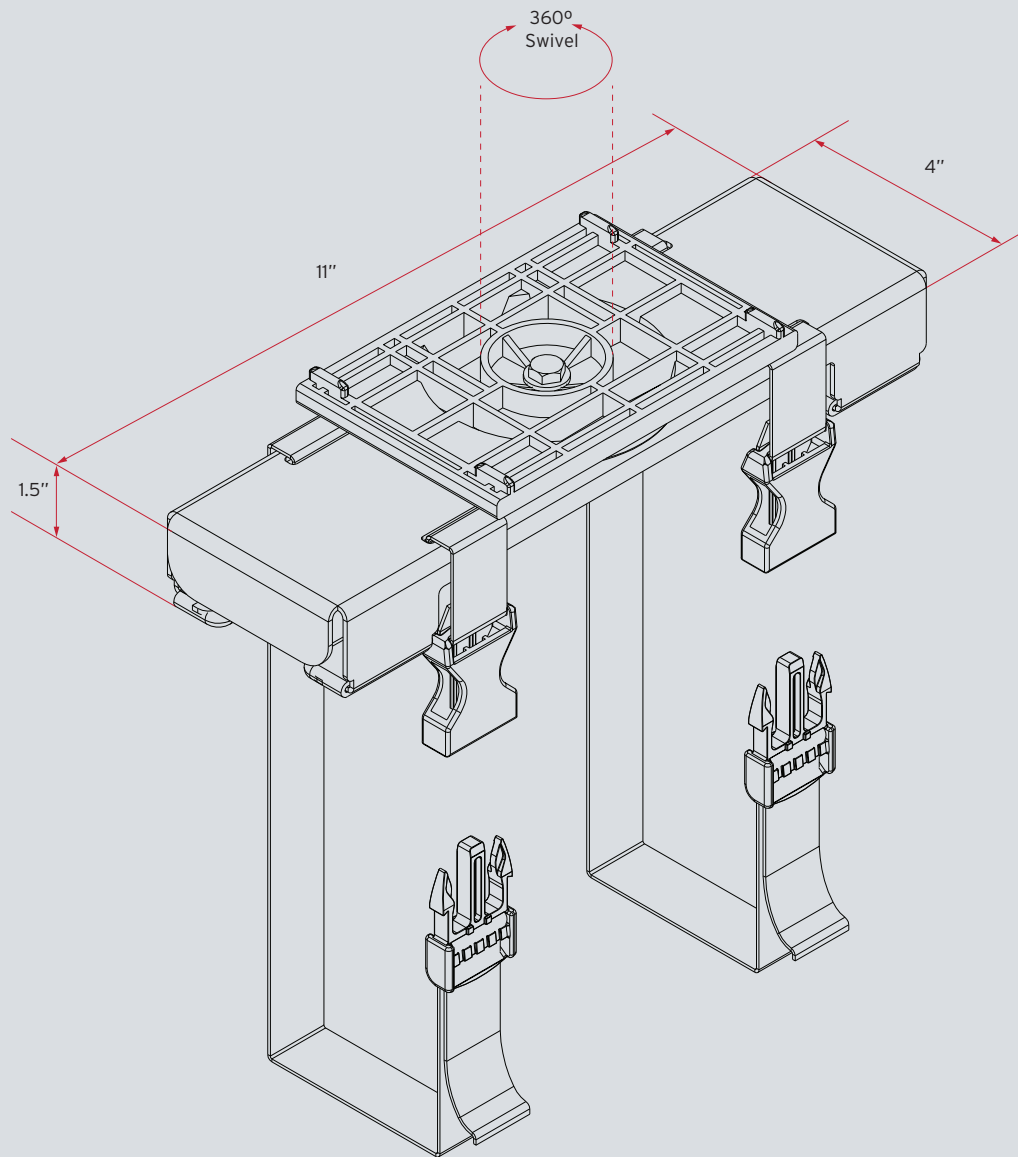
Features

- CPU retracts on a 17" track and swivels to allow full accessibility and easy storage
- Accommodates CPU's weighing up to 75 lb. and measuring 64" in perimeter
- Installation is quick and easy as straps adjust and fasten with buckles
- Soft touch Anti-slip pads protect the CPU

Benefits

- Frees up floor or desk space and makes for a safer work environment
- Flexible, strong and versatile
- Can be customized for every workstation
- Supports rectangular and curved CPU's

500732590



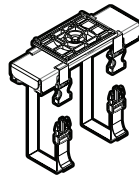
Width Adjustment
2.5" minimum

Weight
4 lbs.

Weight Capacity
75 lbs.

Swivel
360°

Track Size
17"



Black



- Richelieu CPU Holders are an ideal complement to any Richelieu keyboard support
- For flat panel displays, specify the Concerto flat panel support system



☎ 1-866-440-0448
ergoinfo@richelieu.com

www.richelieuergo.com