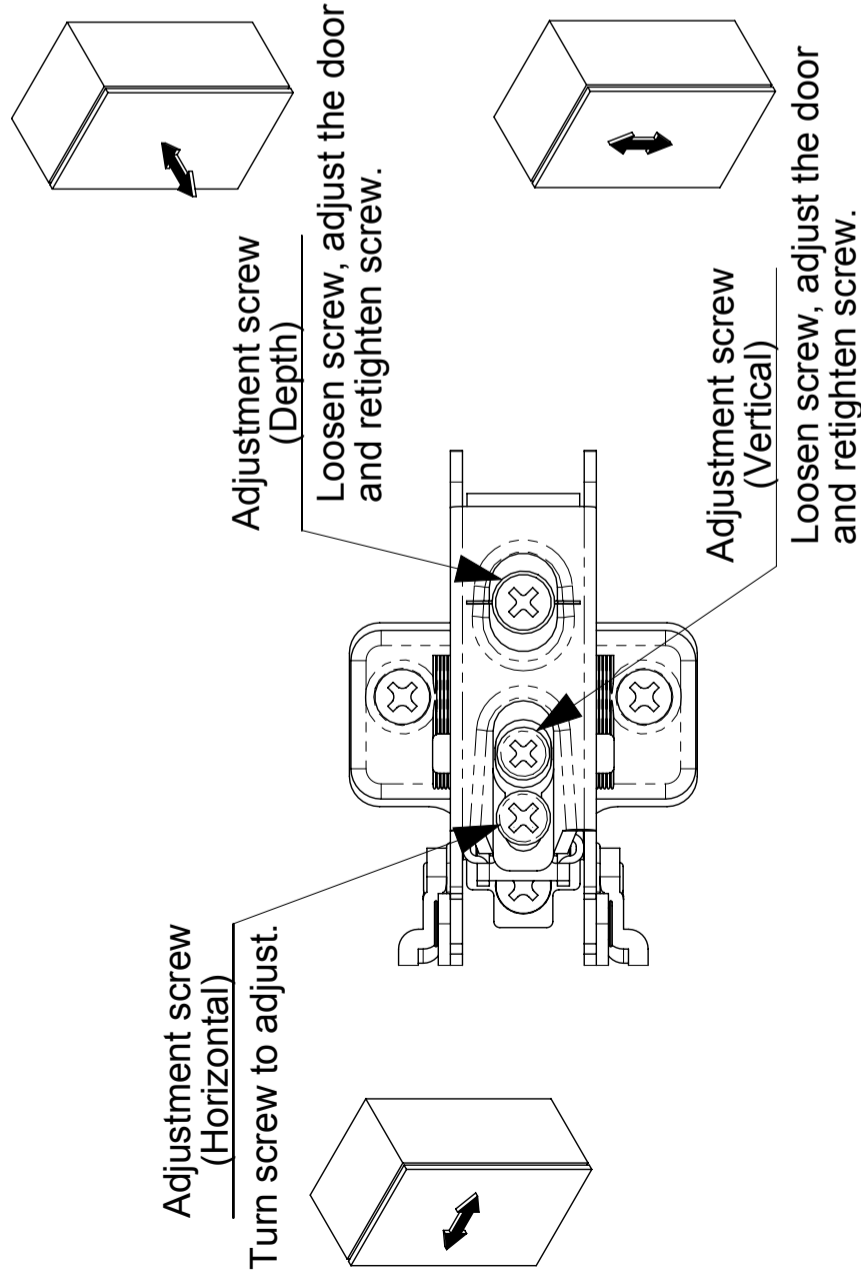
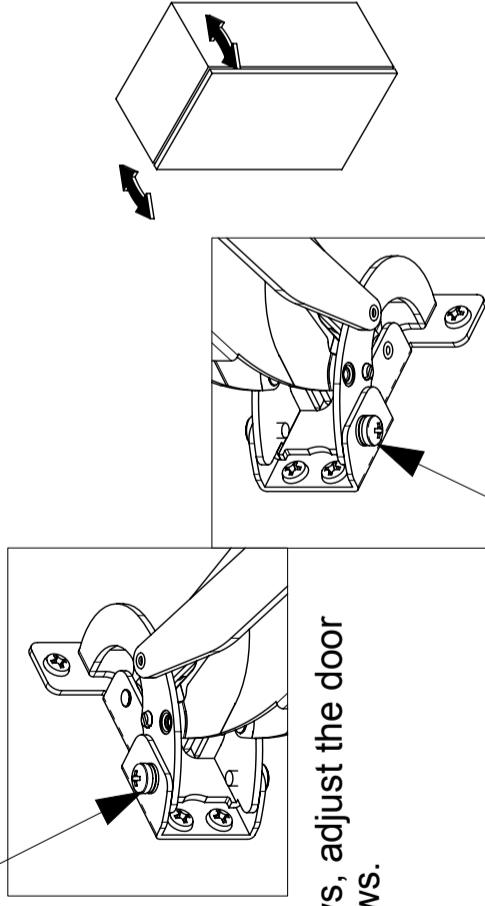


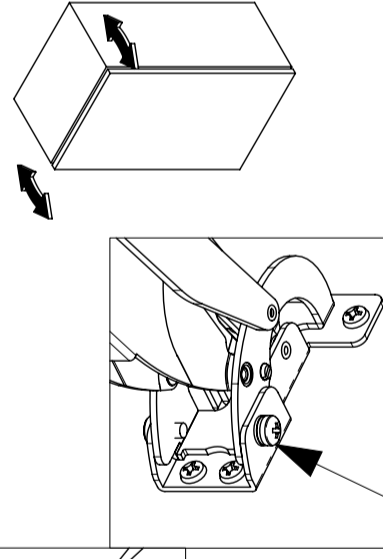
## ■ Adjustments



## Leveling adjustment screw Front



## Leveling adjustment screw Back

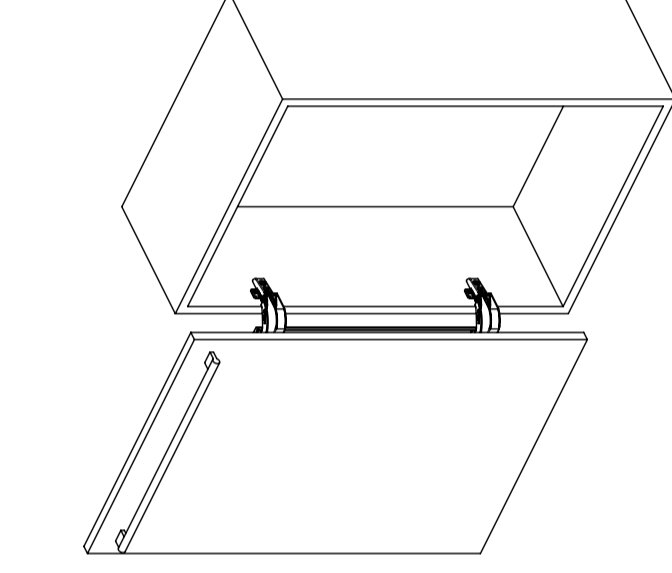


**LAMP**  
by SUGATSUNE

**MonoFlat LIN-X hinge®**

**MonoFlat LIN-X600 Instruction Manual PAT.P**

Thank you for purchasing this MonoFlat LIN-X hinge by SUGATSUNE. Before proceeding with the installation, please read this instruction manual carefully for the best possible result and ensure your safety.



## ⚠ WARNING

- Failure to observe the following precautions may result in injury and/or lead to damage to surrounding cabinets or fittings.
- Choose suitable screws to ensure of proper installation of the cabinet and door.
- Ensure that door size, weight and material correspond to the specifications stated in this manual.
- Do not disassemble or modify the system.

## ■ Product Specification

Door width	550 ~ 650 mm
Door height	600 ~ 900 mm
Door thickness	15 ~ 24 mm
Door weight	MAX 9 kg (per door)

## ■ Parts List

① LIN-X body ..... 2 pcs.	② Mounting plate ..... 2 pcs.	③ Connecting plate ..... 1 pc.
④ Connecting plate cover ..... 2 pcs.	⑤ Cup cover ..... 2 pcs.	⑥ Countersunk head tapping screw 3.5x15 ..... 6 pcs.
		⑦ Binding & tapping screw 3.5x15 ..... 8 pcs.

**SUGATSUNE KOGYO CO.,LTD.**  
Phone: +81 (0)3 3866 2260  
Fax: +81 (0)3 3866 4447  
E-mail: export@sugatsune.co.jp  
Website: www.sugatsune-intl.com

**SUGATSUNE KOGYO (UK) LTD.**  
Phone: +44 (0)1491 680737  
Fax: +44 (0)1491 60762  
E-mail: sales@sugatsune.co.uk  
Website: www.sugatsune.co.uk

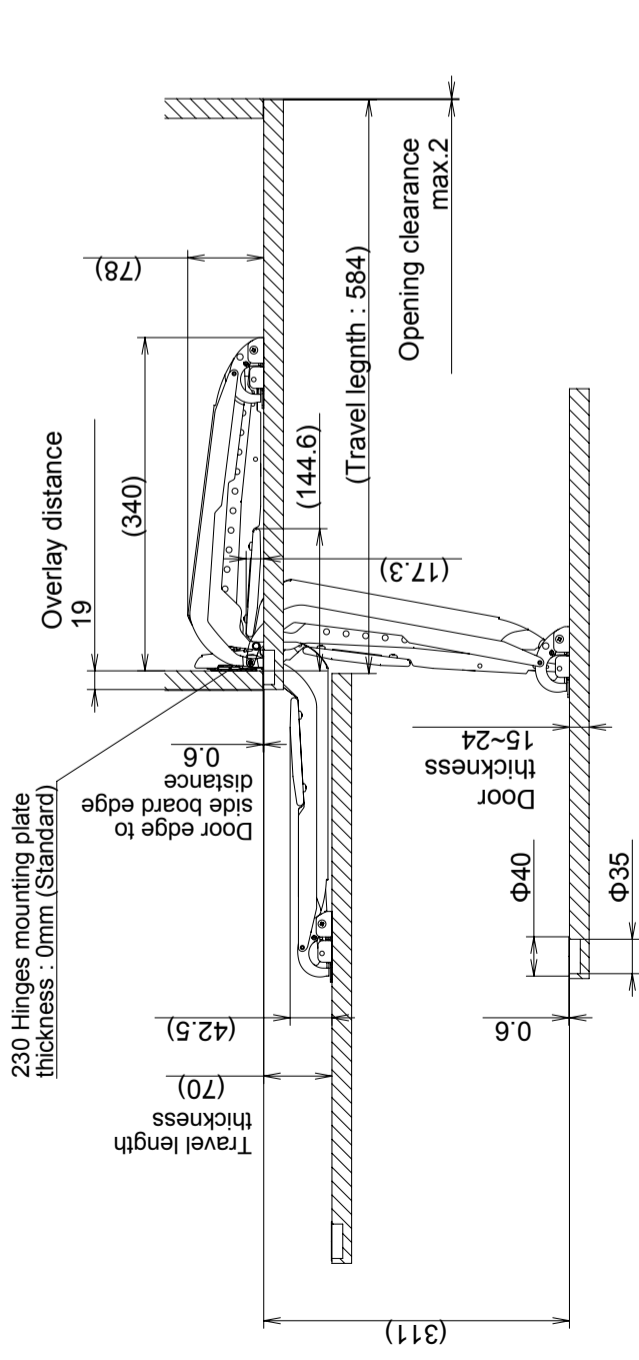
**SUGATSUNE AMERICA, INC.**  
Phone: +1 310 3296373  
Fax: +1 310 3290819  
E-mail: sales@sugatsune.com  
Website: www.sugatsune.com

**SUGATSUNE SHANGHAI CO., LTD.**  
Phone: +86 (0)21 3632 1868  
Fax: +86 (0)21 3632 1868  
E-mail: lamp@sugatsune.com.cn  
Website: www.sugatsune.com.cn

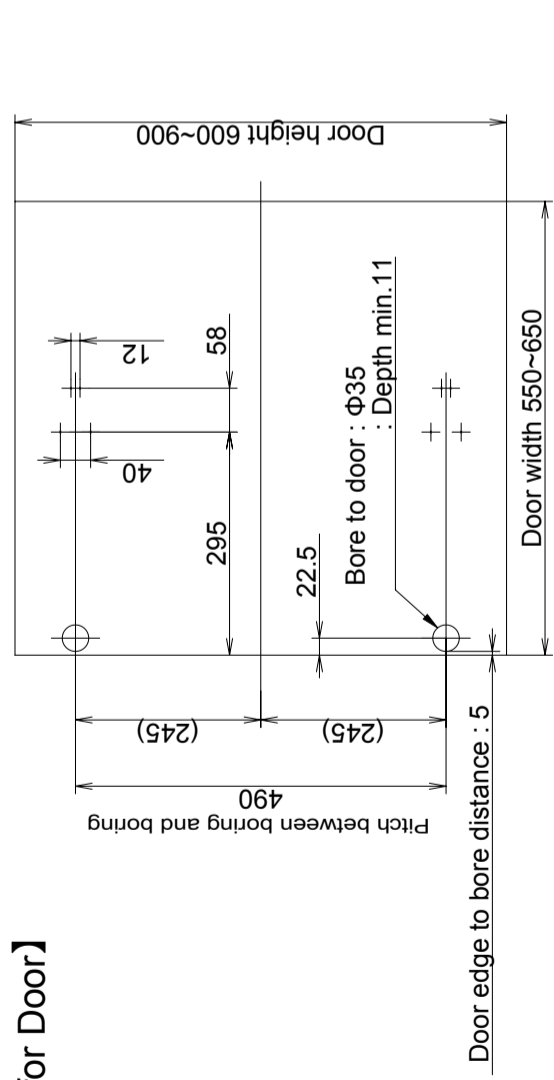
2010.01 PRINTED IN JAPAN 0462-1

**LAMP**  
by SUGATSUNE

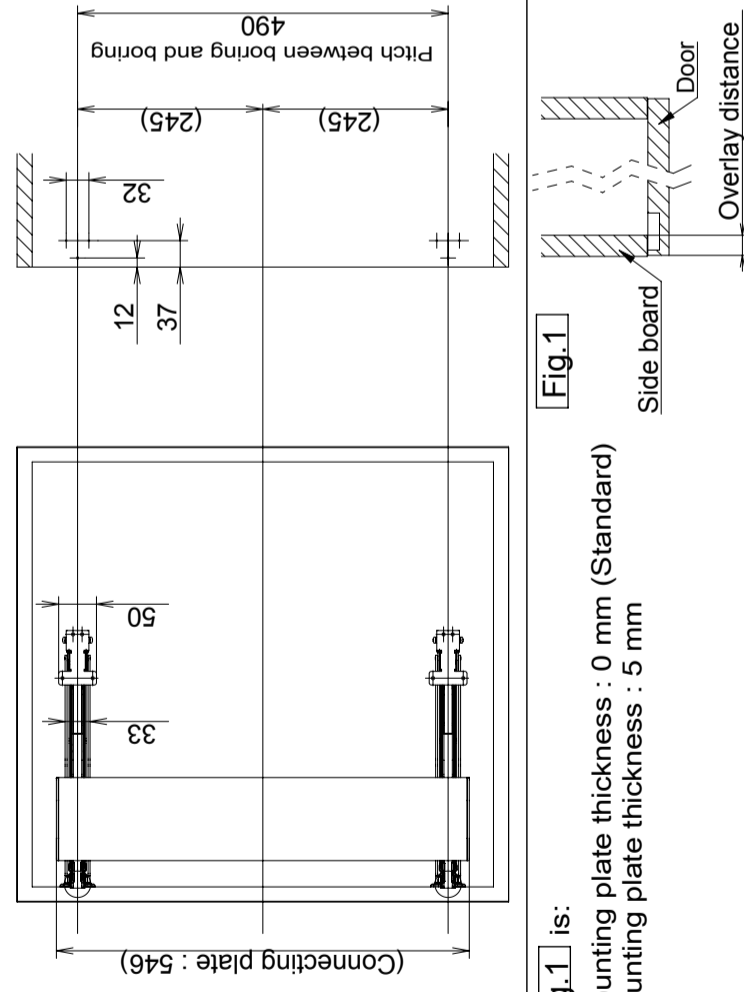
● Picture shows the left hand door use. (Right hand door use is symmetrical.) [unit:mm]



**【Installation position for Door】**



**【Installation position of mounting plate for cabinet side board】**



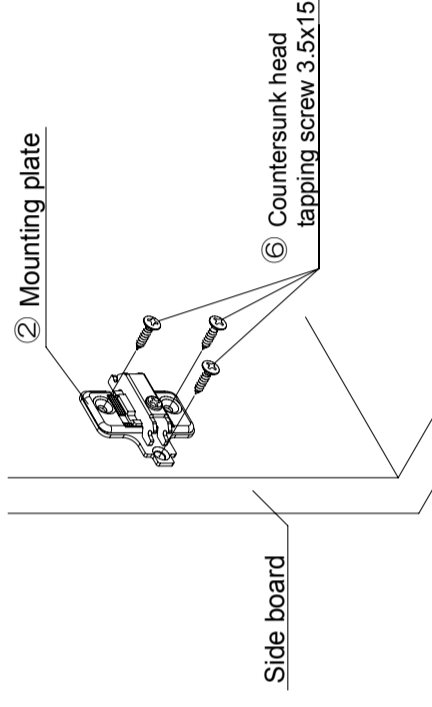
● Side overlay as shown in Fig.1 is:

19 mm for 230 Hinges mounting plate thickness : 0 mm (Standard)

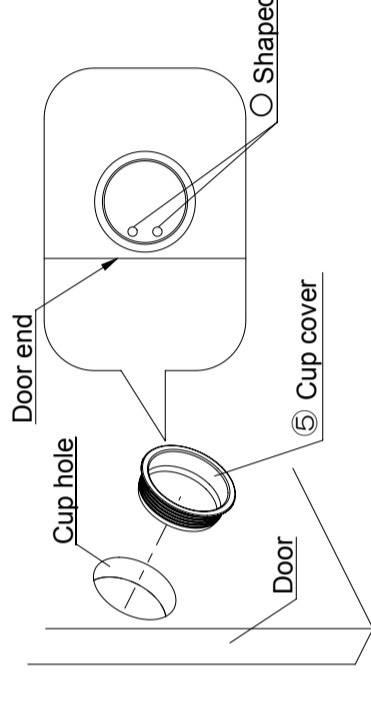
14 mm for 230 Hinges mounting plate thickness : 5 mm

**■ Installation**

**1** Mounting plate installation:

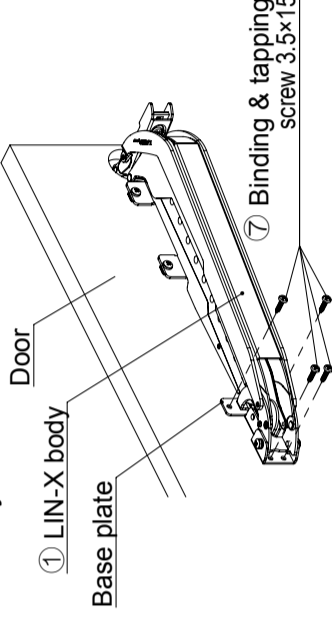


**2** Cup cover installation:

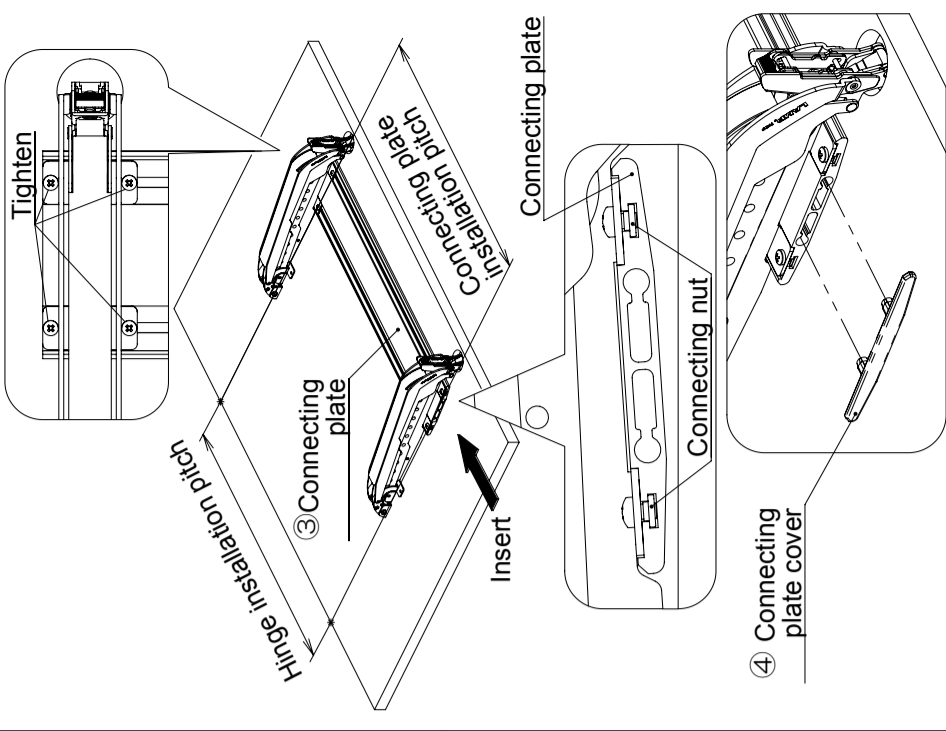


! Ensure that the two  $\circ$  are pointing toward the edge of the door.

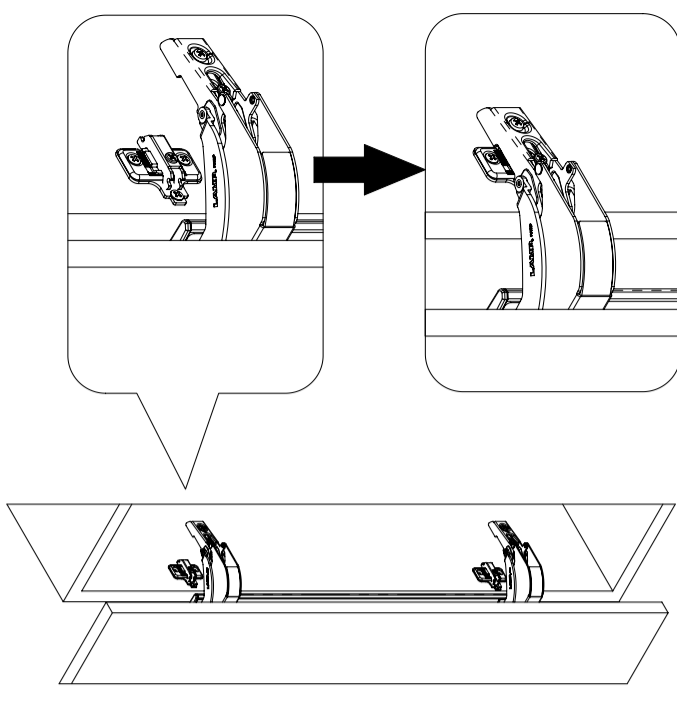
**3** LIN-X body installation:



**4** Connecting plate installation:



**5** Door installation:



! Ensure that the two LIN-X bodies are parallel by measuring both the base and mounting plate distances.

! Ensure that the LIN-X body is securely attached to the mounting plates.