

The image features several Blumotion S hardware components, including long metal runners and plastic end caps, arranged in a perspective view that recedes into a bright light at the top. The components are set against a dark blue background with glowing orange lines that create a sense of depth and motion. The runners have a brushed metal finish and some have the 'blum' logo embossed on them. The plastic end caps are dark grey and also feature the 'blum' logo.

BLUMOTION S

One solution – three technologies

www.blum.com

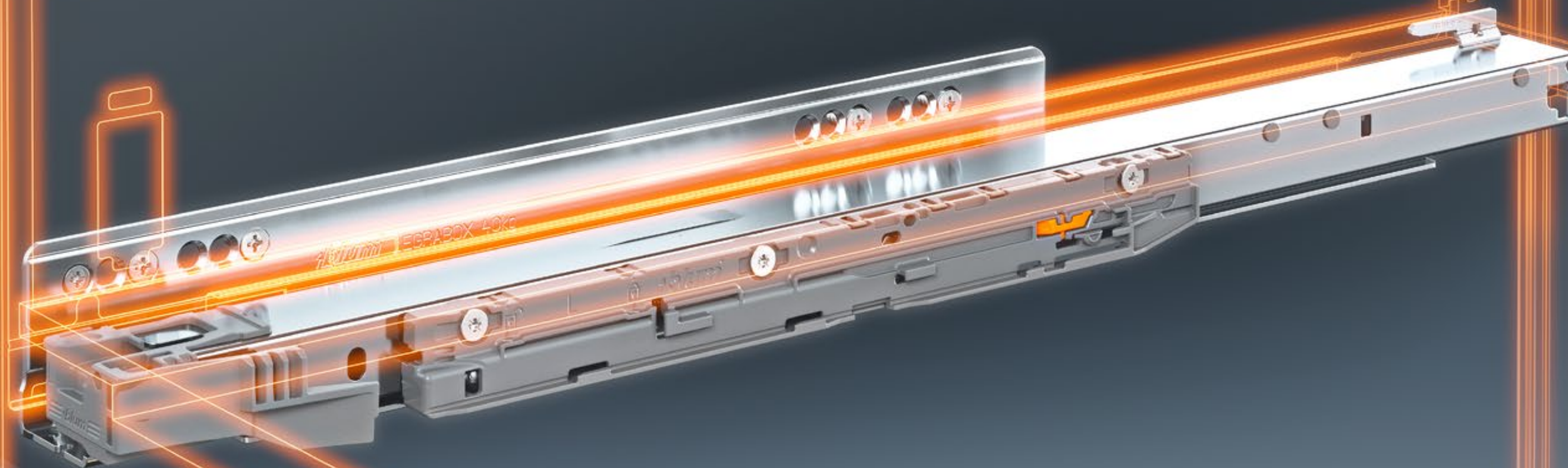
 **blum**[®]

The world is complicated enough

Requirements for individuality and a wide range of design possibilities are becoming more exacting. Therefore, it is even more important that these requirements are met in a simple way. That is why we strive for technically sophisticated product innovations, to make things easier for you.

BLUMOTION S





Simply better: BLUMOTION S

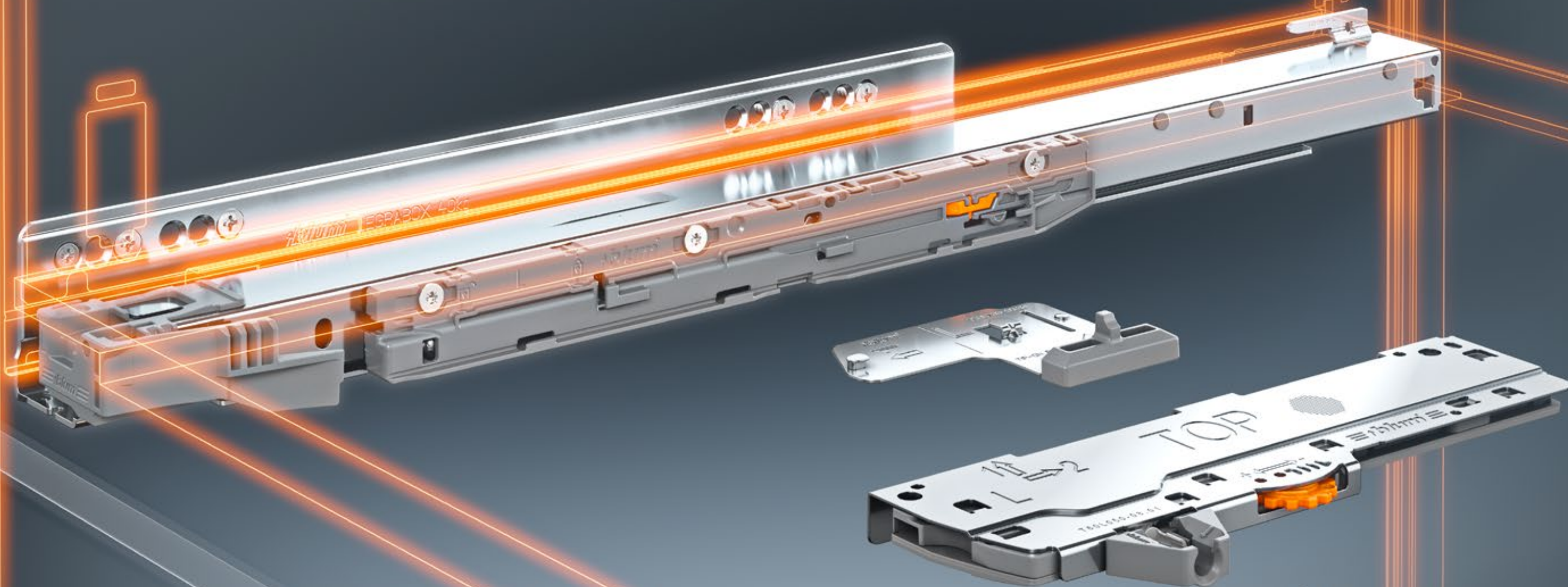
The flexibility to implement multiple motion technologies with only one runner, and one optimal dampening function that has been adjusted to the respective technology – this is what our new BLUMOTION S for LEGRABOX and MOVENTO offers.

Optimised BLUMOTION

Have you ever slammed a pull-out shut? It's great to have the BLUMOTION S runner installed in this case, isn't it? The optimised dampening path increases the dampening performance – and pull-outs can be closed even more silently.

TIP-ON BLUMOTION

You want drawers and pull-outs that not only close silently but can also be opened with just a light touch? TIP-ON BLUMOTION is ideally suited for this. The BLUMOTION S runner is retained, and the opening support system is added. Thanks to the unique intelligent product design the dampening path adjusts automatically. The assembly is tool-free.



Simply better: BLUMOTION S

The flexibility to implement multiple motion technologies with only one runner, and one optimal dampening function that has been adjusted to the respective technology – this is what our new BLUMOTION S for LEGRABOX and MOVENTO offers.



SERVO-DRIVE

You want the highest possible usability during opening and closing? Then SERVO-DRIVE is the solution for you. The BLUMOTION S runner is supplemented here with the respective SERVO-DRIVE components.

Simply flexible: BLUMOTION S

The BLUMOTION S runner improves on the crucial parts, while retaining the familiar straightforward assembly. The markings on the BLUMOTION S housing help with the tool-free and time-saving assembly of TIP-ON BLUMOTION components.



Same components

Both TIP-ON BLUMOTION and SERVO-DRIVE use the existing motion technology components. Accessories like the side stabiliser for wide drawers and pull-outs remain the same as well.



Drilling and fixing positions remain unchanged

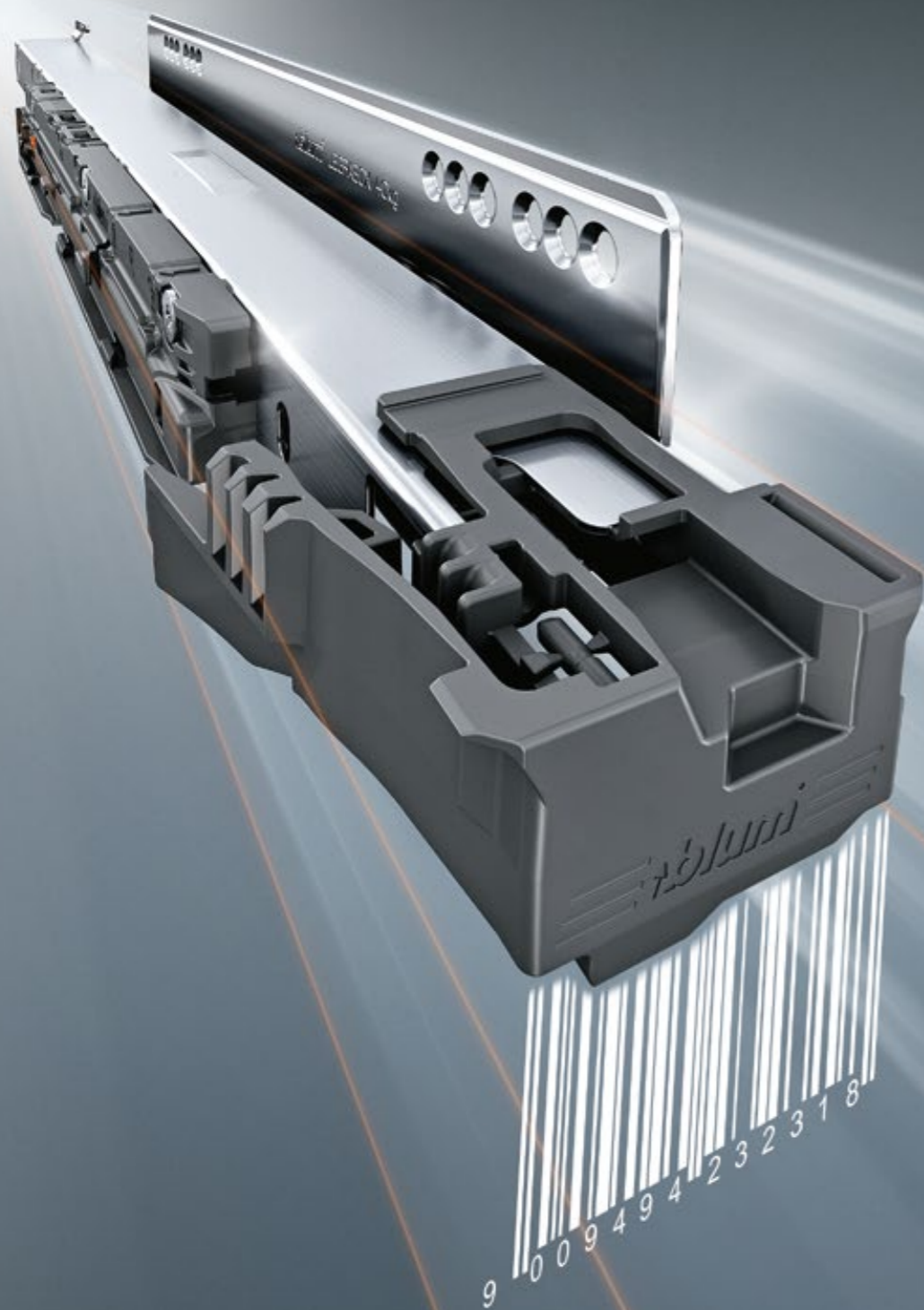
The drilling and fixing positions remain the same for each of the three motion technologies. This way, BLUMOTION S can offer higher flexibility while keeping the same fittings.



Familiar adjustment options

The integrated adjustment of height, side, tilt and depth produces an attractive gap layout for LEGRABOX and MOVENTO.





Optimise your inventory

Our new runner now provides you with even more. Fill your warehouse with possibilities not products!

Ordering information



BLUMOTION **S** switchable
7x0.xxxxS

- The runner can be used for three motion technologies: SERVO-DRIVE, BLUMOTION and TIP-ON BLUMOTION
- Integrated, switchable BLUMOTION S for a silent and effortless closing action
- The dampening path will be automatically adapted to the respective motion technology

LEGRABOX

Cabinet profile left/right			
	NL (mm)	40 kg	70 kg
	270	750.2701S	
	300	750.3001S	
	350	750.3501S	
	400	750.4001S	
	450	750.4501S	753.4501S
	500	750.5001S	753.5001S
	550	750.5501S	753.5501S
	600	750.6001S	753.6001S
	650		753.6501S

NL Nominal length

MOVENTO

Runners left/right				
	NL (mm)	40 kg	60 kg	70 kg
	250 *	760H2500S		
	270	760H2700S		
	300	760H3000S		
	320	760H3200S		
	350	760H3500S		
	380	760H3800S		
	400	760H4000S		
	420	760H4200S		
	450	760H4500S		766H4500S
	480	760H4800S		
	500	760H5000S		766H5000S
	520	760H5200S		766H5200S
	550	760H5500S		766H5500S
	580			766H5800S
	600	760H6000S		766H6000S
	650			766H6500S
700		766H7000S		
750		766H7500S		

* Not compatible with TIP-ON BLUMOTION

NL Nominal length

Runners for base fixing left/right

	NL (mm)	40 kg
	350	760H3500SU
	400	760H4000SU
	450	760H4500SU
	500	760H5000SU

NL Nominal length



moving ideas

We believe that ideas can move the world. We offer innovative fittings, inspiring furniture concepts and appropriate services so that you can turn your creative ideas into reality. We are driven by your needs, international trends and our shared vision of a better quality of living. Let us work together to create moving ideas.



Quality of living

We would like you to enjoy greater convenience and functionality when using furniture.



Product range

Everything from a single source: our wide range of products allows you to keep up with today's and tomorrow's trends.



Inspiration

We monitor global trends and strive to create the solutions of tomorrow. We like to share our insights with you.



Innovation

We stay in motion. Curiosity and pioneering spirit drive us to develop new products and services for you.



Services

We support your daily operations with customised services tailored to your processes.



Quality

We continuously strive to improve our products, services and ourselves.



Trust

We take responsibility for partnerships, our employees, society and the environment.

Julius Blum started our journey in 1952 with horseshoe studs. Today we supply innovative fittings to customers in over 120 countries.

DEEPE Marketing Corporation
No. 13 Bonifacio Drive, Pasong Tamo,
Quezon City 1107, Philippines
Tel.: +63 2 932 7651
Tel.: +63 2 932 5401
Fax: +63 2 453 4138
Email: office@deepecorp.com

Julius Blum GmbH
Furniture Fittings Mfg.
6973 Höchst, Austria
Tel.: +43 5578 705-0
Fax: +43 5578 705-44
E-mail: info@blum.com
www.blum.com

Our sites in Austria, Poland and China are certified to the international standards mentioned below.
Our site in the USA is certified to ISO 9001.
Our site in Brazil is certified to ISO 9001, ISO 14001 and ISO 45001.



ISO 9001
Certified Quality
System



ISO 14001
Certified Environmental
System



ISO 50001
Certified Energy
System

 **blum**®



Look for our
FSC™-certified
products

All content is copyrighted by Blum.
Subject to technical modifications and changes to the range without notice.
IDNR: 000.000.0 · EP-397/2 EN-PH/12.23