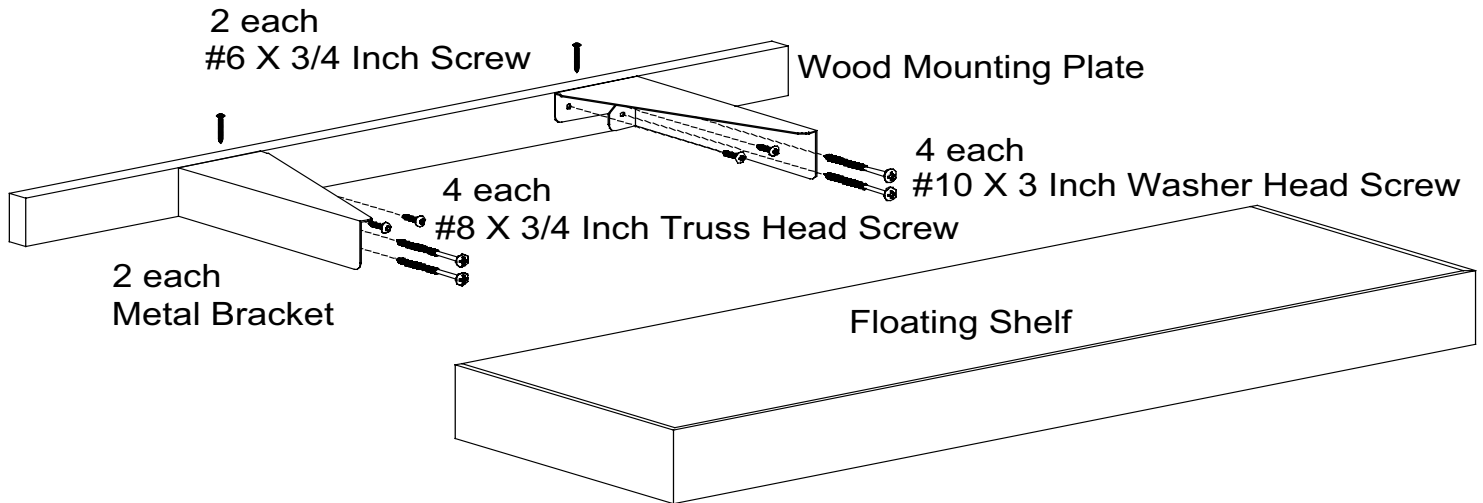




Floating Shelf



Floating Shelf Includes:

- 1 ea.- Floating Shelf
- 1 ea.- Wood Mounting Plate
- 2 ea.- Metal Bracket
- 4 ea.- #10 X 3 Inch Washer Head Screws
- 4 ea.- #8 X 3/4 Inch Truss Head Screws
- 2 ea.- #6 X 3/4 Inch Flat Head Screws

Important Notes

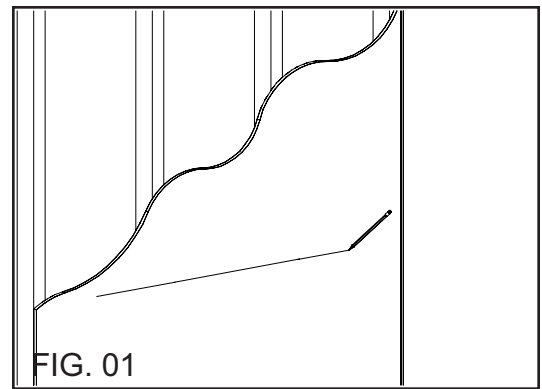
- Always read the instructions completely and carefully before beginning assembly.
- Remove and check contents for damage and/or missing parts. Keep the original cartons and packing materials, which are required for any authorized adjustment.
- These instructions are for reference only. Make sure installation procedures comply with all applicable building codes in your area.

Installation Instructions

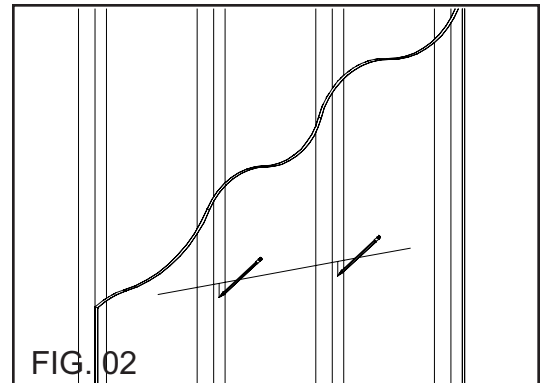
In order to reach any stated maximum load capacity, the Metal Brackets supplied with this shelf need to be mounted into studs. In the event that the Metal Brackets can not be located on a stud, bracing between two studs should be added to provide support for the shelf installation. When properly installed the maximum load for the shelf is 15 pounds per foot of length.

This Floating Shelf and brackets were designed to remain at 10 inches deep, but if needed can be trimmed to a minimum depth of 2 inches. Both the Floating Shelf and metal brackets must be trimmed an equal amount. The metal bracket must be trimmed from the narrow end with a hack saw or another type of metal cutting saw. The width of the shelf cannot be trimmed. The end user assumes all responsibility for any damage to the shelf caused by trimming it.

Step 1: Mark a level line, the length of the **Wood Mounting Plate**, on the wall $\frac{3}{8}$ inch down from where the top of the shelf is to be located.

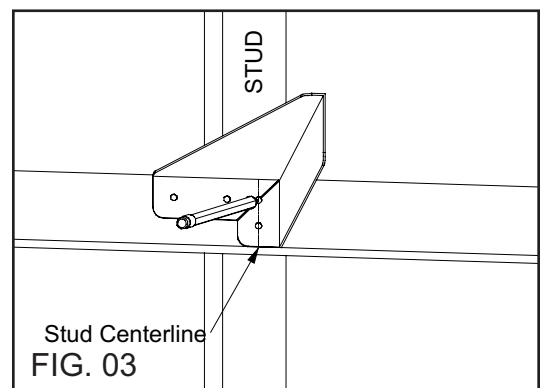


Step 2: Along the line locate the location of the wood studs behind the wall and mark the center line of the studs on the line. Hold the **Wood Mounting Plate** on the wall in the desired location and transfer the stud center lines to the **Wood Mounting Plate**.

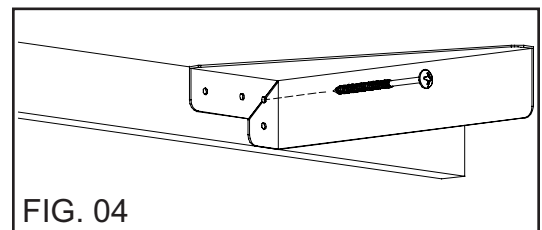


Note: If two studs are not available for mounting the shelf, bracing between studs should be added.

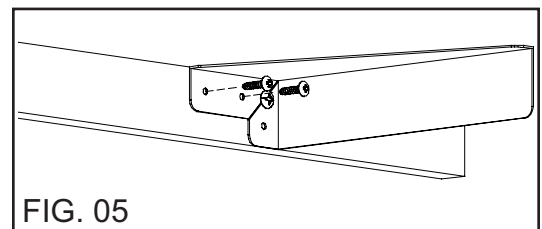
Step 3: Place the **Metal Bracket** on the **Wood Mounting Plate** as shown making sure that the 2 outside vertical holes line up with the stud center location. Make sure the top of the **Metal Bracket** is flush with the top of the **Wood Mounting Plate**. Mark the 2 holes in each **Metal Bracket** and drill $\frac{3}{16}$ inch holes through the **Wood Mounting Plate** at those locations.



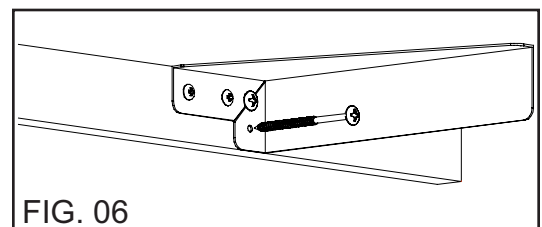
Step 4: Using the **#10 x 3 inch Screws** provided, fasten the **Metal Bracket** and **Wood Mounting Plate** to the wall using only the upper outside vertical hole on the **Metal Bracket**. Make sure this screw is going into a stud and snug it but don't tighten. Repeat this for the other **Metal Bracket**.



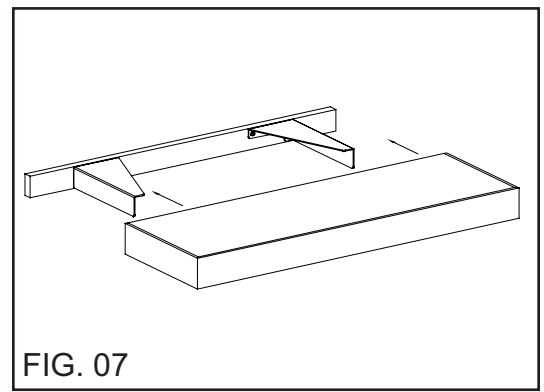
Step 5: Make sure everything is level and that the top of the **Metal Bracket** is exactly flush with the top of the wood mounting plate (Tap or move into position as necessary). You can now fasten the **Metal Bracket** to the wood mounting plate with 2 - **#8 x 3/4 inch Screws** provided making sure that the **Metal Bracket** does not move.



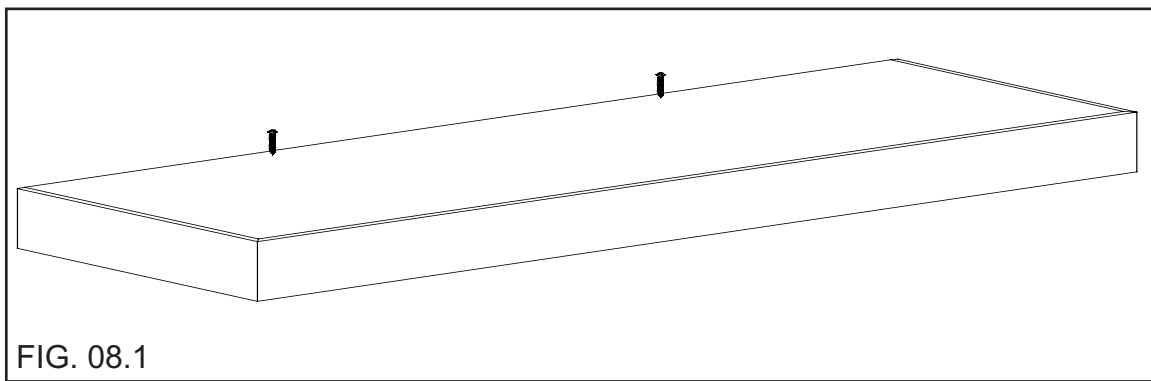
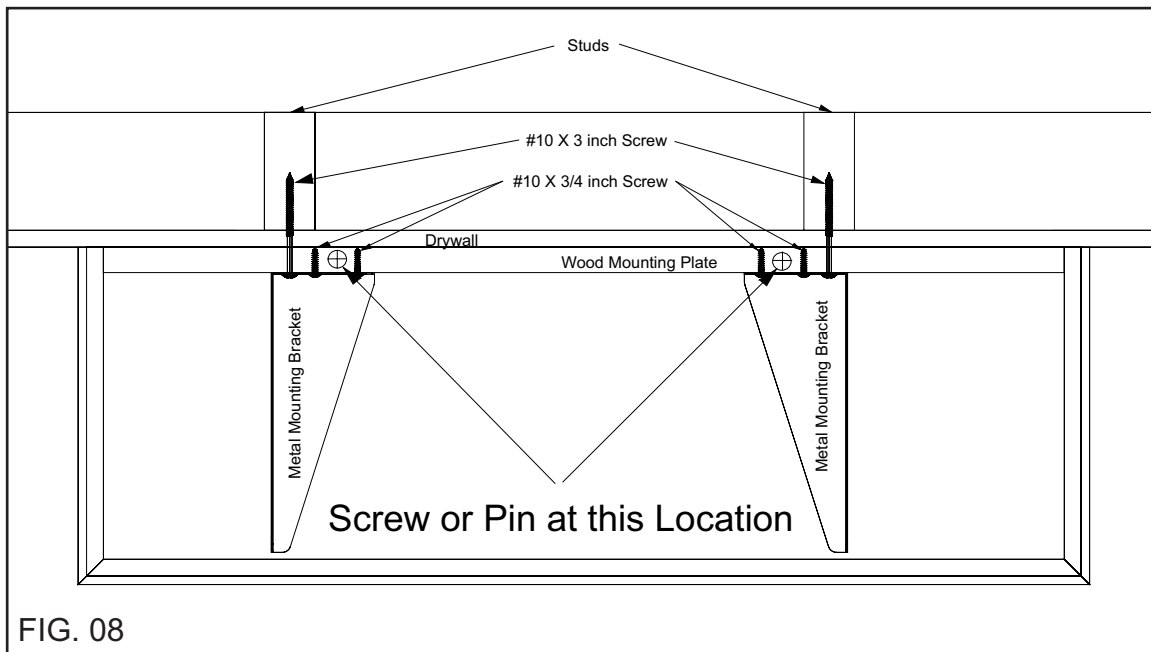
Step 6: You can now tighten the **#10 x 3 inch Screw** already installed, you should feel it draw the assembly tight to the wall without stripping the screw, if not you may not be on the stud. If you are sure that you have hit the stud, install the second **#10 x 3 inch Screw** below the first on each **Metal Bracket**.



Step 7: You can now install the **Floating Shelf** on to the **Metal Bracket** and **Wood Mounting Plate** assembly pushing it back against the wall. This will be a snug fit but should not be forced if **Metal Brackets** are aligned correctly.



Step 8: When you are satisfied that the **Floating Shelf** is located correctly, screw or pin the **Floating Shelf** to the **Wood Mounting Plate** as shown. Drill two 1/8 inch pilot holes in the **Floating Shelf** at the locations shown in figure 08 when using the two **#6 x 3/4 inch Flat Head Screws** provided.



Step 9: Load the shelf and watch for any excessive sagging. If this happens reduce the weight on the shelf. Periodically check to make sure your **Floating Shelf** is secure.