

Material	High Strength Reinforced Nylon
Colour	Black
Fixing Method	Glue

Mounting

1 Router Cut Option

Use a $\varnothing 7\text{mm}$ router bit to cut a slot in both substrates where the Hook and Key of the Mini 60 is to be mounted. Depth needs to be 10mm for each.

2 Biscuit Cut Option

Set the depth stop to #20 and guide height for substrate thickness. Plunge in once then repeat using the **Mark-Out Template**, packing the guide 3mm to achieve a 7mm cut.

3 Striplox Liquidlox

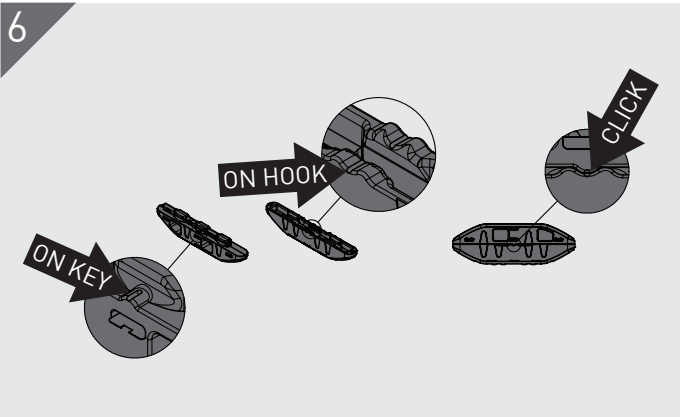
Apply Striplox Liquidlox 15 second cure adhesive to both sides of the slot in each substrate. Visit joinlox.com/striplox or call 1800 JOINLOX to find out more about Striplox Liquidlox and Mark-Out Template.

4

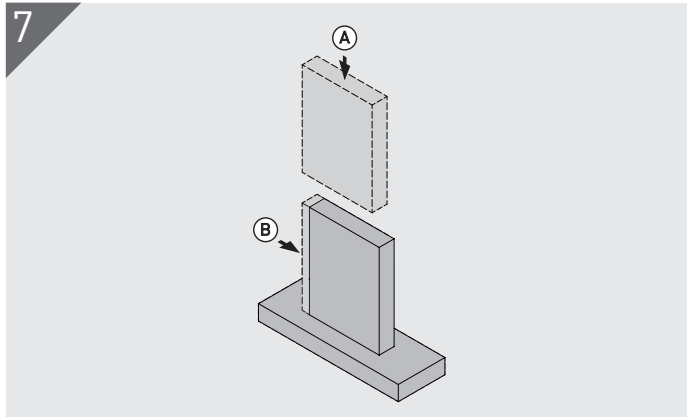
To aid in the installation of the Key and Hook, start by inserting one end in the slot when use a hammer or mallet to tap the component into place. Ensure centre lines on substrate align with centre marks on Hook and Key.

5

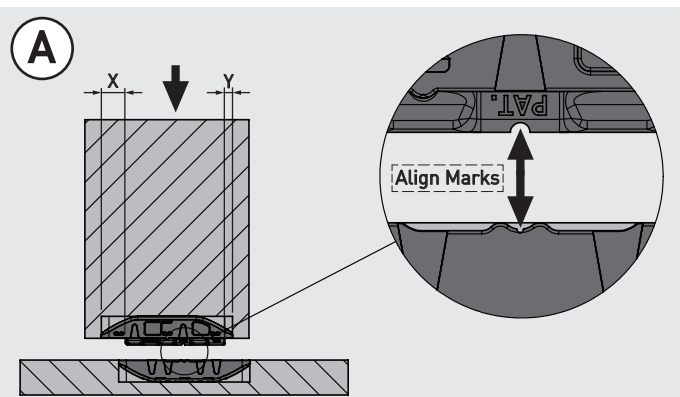
After glue is applied, insert Key and Hook into slot until flush with substrate. Allow to dry as per glue manufactures instructions.



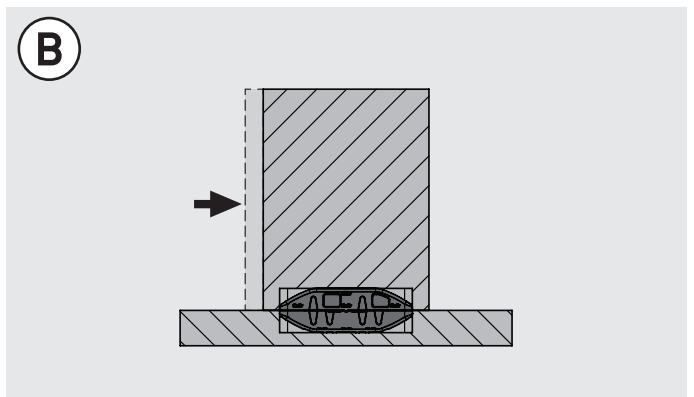
The Mini 60 features locating tabs which click into place when fully assembled. Please note this feature is not a lock, making the joint fully reversible.



Assembly components remembering the Key only needs to travel 1 pitch for full engagement. This is detailed in steps A and B.

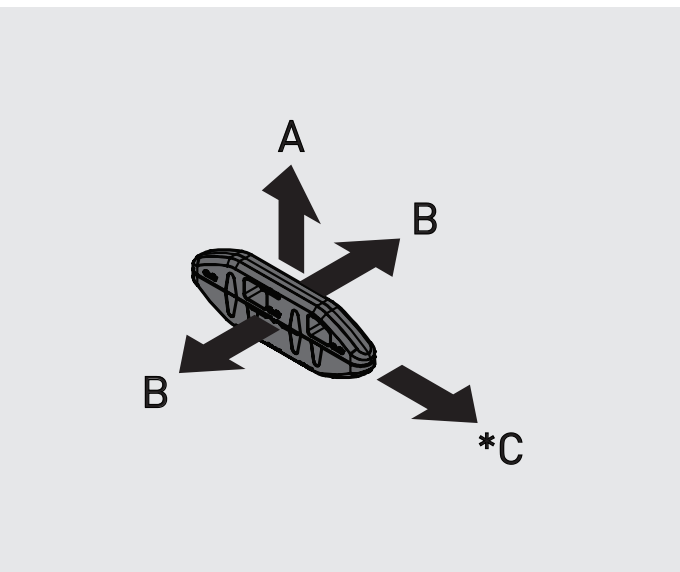


Note the offset of the lugs on the Key body, length X is larger than Y. Insert the Hook into the Key with the longer X end towards the face to be pushed during assembly.



To complete the assembly push the end of the substrate (with X offset) until the Mini 60 is fully engaged.

Load Capacity



Direction	Indic. Load Capacity
A	90 kg
B	100 kg
*C	80 kg

- Tested using MDF and fixed with glue.
- *C is in direction of lock-up.