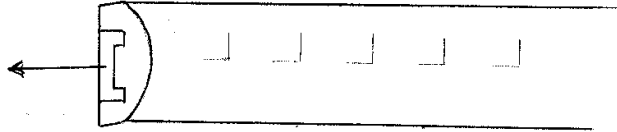
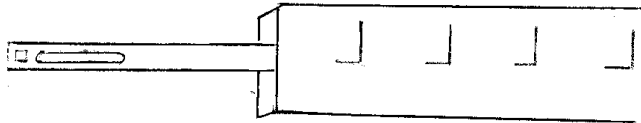


# Installation of Tie & Belt Racks

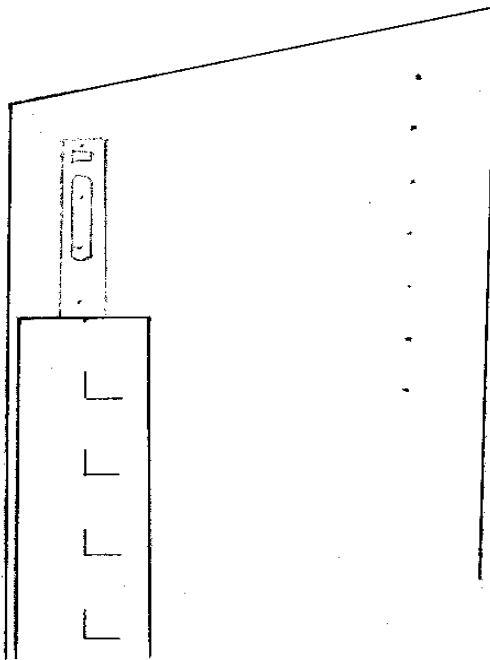
1. Remove the slide stopper on the side of the rack with a Phillips head screwdriver or a penny.



2. Extend the slide to the front side of the rack until the screw slot on the slide is fully exposed.



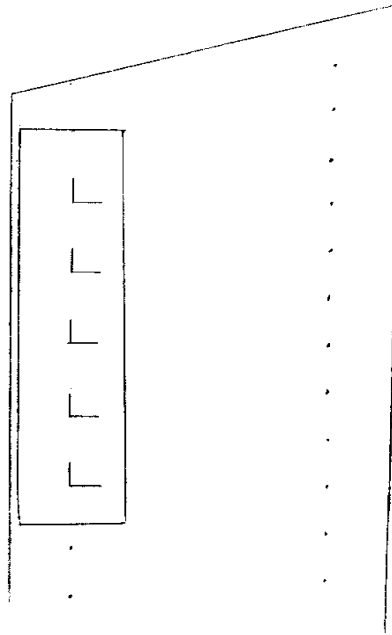
3. Rotate the rack vertically down so the screw slot is on the top of the rack. Secure the screw slot to the front screw hole on the closet by a provided screw.



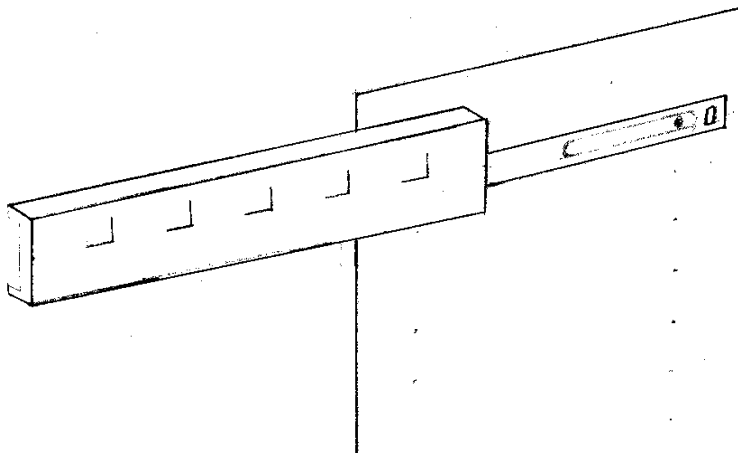
(Continue on the next page)

# Installation of Tie & Belt Racks

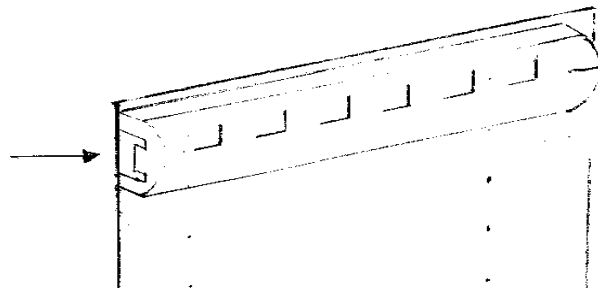
4. Slide the rack all the way up until the slide is fully covered.



5. Rotate the rack horizontally so the rear of the rack is on the rear side of the closet. Extend the rack to the front so the rear screw slot on the slide is fully exposed. Secure the screw slot to the rear screw hole on the closet by a provided screw.



6. Retract the rack back so the slide is fully covered. Secure the slide stopper back to the front end of the rack.



(End)