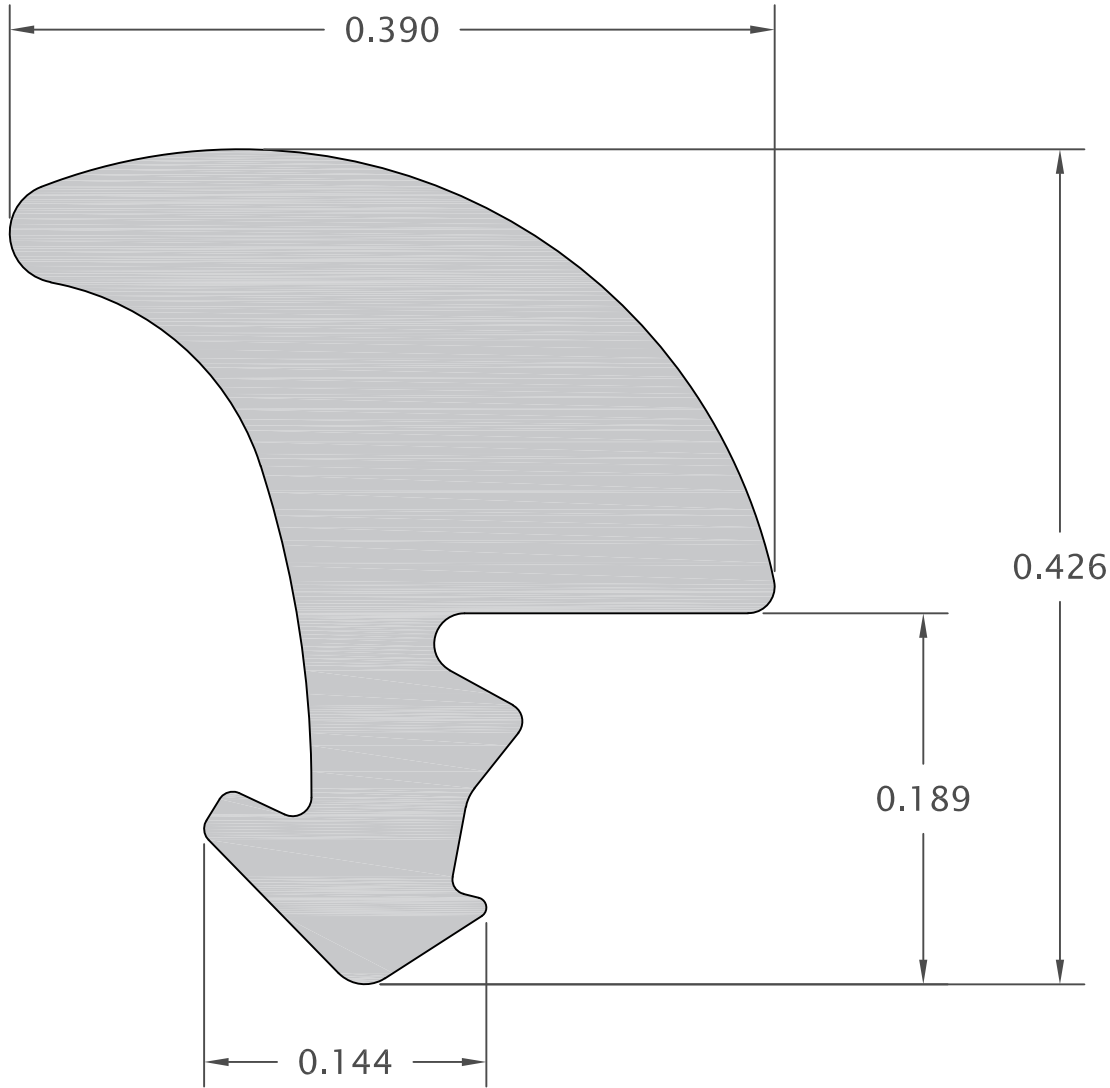



DATE	DESCRIPTION
	REVISION



ACTUAL SIZE

TOLERANCE		 RICHELIEU HARDWARE					
DIMENSION	TOLERANCE	GLASS DOOR RETAINER MOLDING					
0.000"-0.125"	± 0.007"	1031500					
0.126"-0.500"	± 0.010"						
>0.501"	± 2%						
MATERIAL		DESIGNED		DATE	2023.11.06	Unit:	SCALE
FINISH		APPROVED		DATE		Inch	