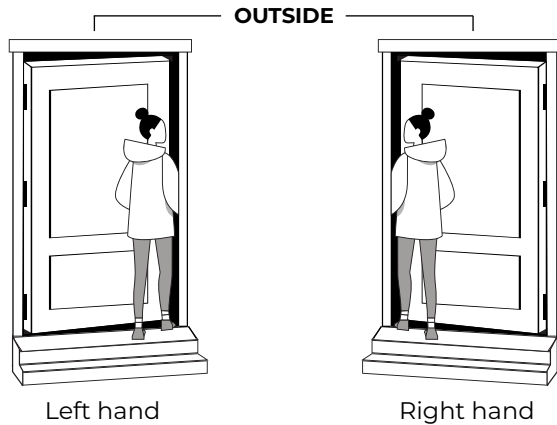


Handlesets fit doors 1-3/4" to 2" thick.

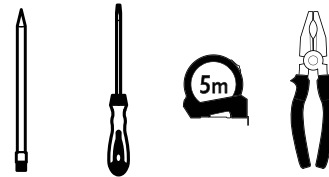
**WARNING: USE OF POWER DRIVERS WILL STRIP HEADS OF SCREWS.**

**>> BEFORE YOU BEGIN <<**

- Check that your handleset has the correct handing.



- Double check the handleset fits your door's backset (2-3/8" or 2-3/4").
- Refer to the exploded drawing (page 6) and make sure all parts are present.
- Gather the tools you will need:



*Pencil, Phillips head screwdriver, tape measure, and pliers.*

**NEED HELP?**

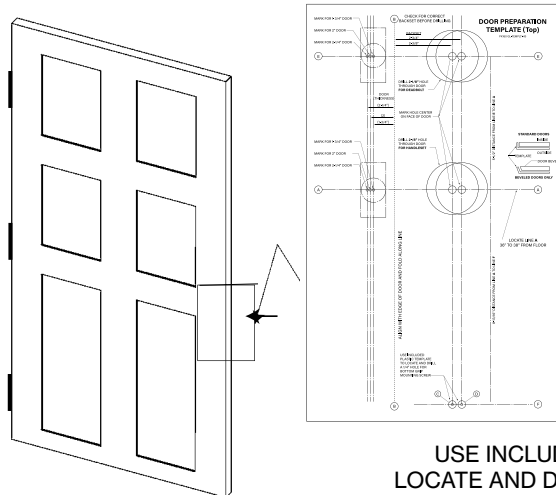
For assistance call 1-800-522-7336  
Monday-Friday, 7am-4pm MT  
or visit [www.ViaggioHardware.com](http://www.ViaggioHardware.com)



**VIAGGIO®**

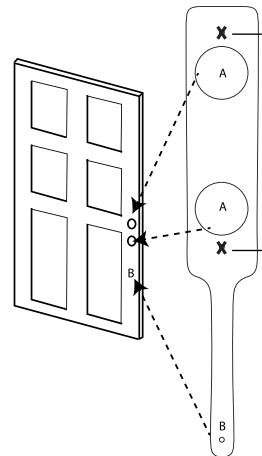
**A**

USE INCLUDED **PAPER** DOOR PREPARATION TEMPLATE **PK160** FOR MAKING BORE HOLES IN NON-PREPED DOORS.



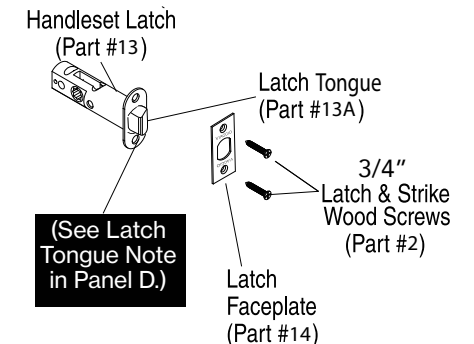
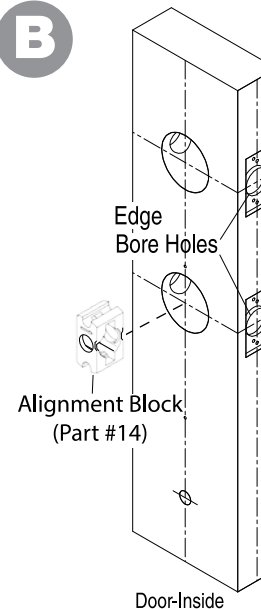
USE INCLUDED **PLASTIC** TEMPLATE TO LOCATE AND DRILL THE 1/4" BOTTOM GRIP MOUNTING HOLE. (See Step **M**.)

**DO NOT DRILL HOLES ON TEMPLATE DIRECTLY ABOVE AND BELOW MAIN BORE HOLES!**



**B**

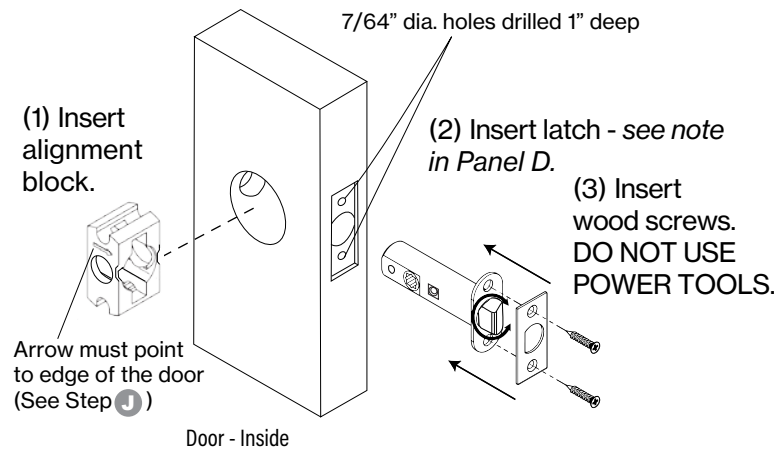
**Install handleset latch:  
Steps C & D**



**VIAGGIO®**

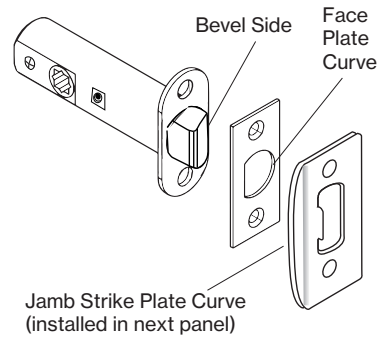
For assistance call 1-800-522-7336  
Monday-Friday, 7am-4pm MT  
or visit [www.ViaggioHardware.com](http://www.ViaggioHardware.com)

**C** Install alignment block (#14), then insert the handleset latch (#12).

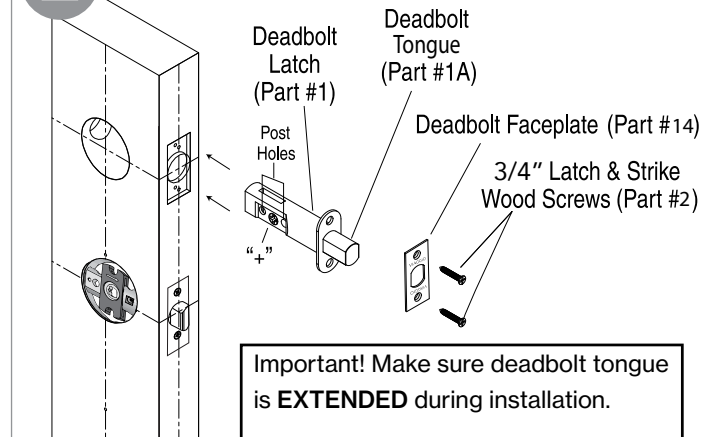


**D** Latch Tongue Note

Bevel side of latch tongue should contact curved end of face plate, and curved end of strike plate.

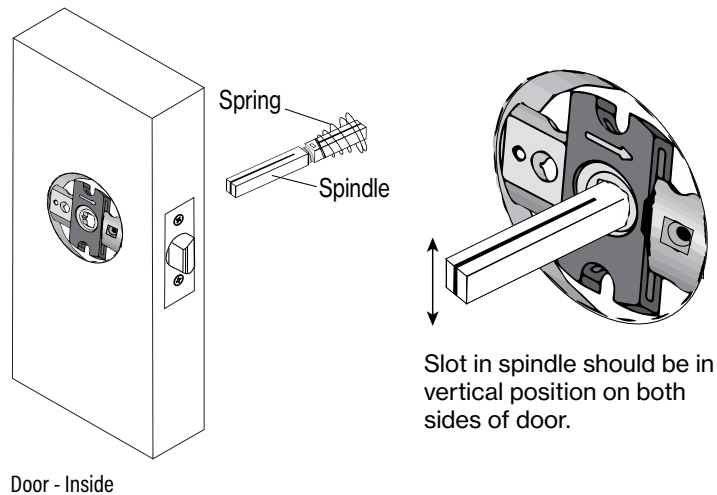


**E** Install deadbolt latch.



**F** Insert spindle (#15) from outside of door.

Insert spindle from outside of door, with the spring on the outside after installation.

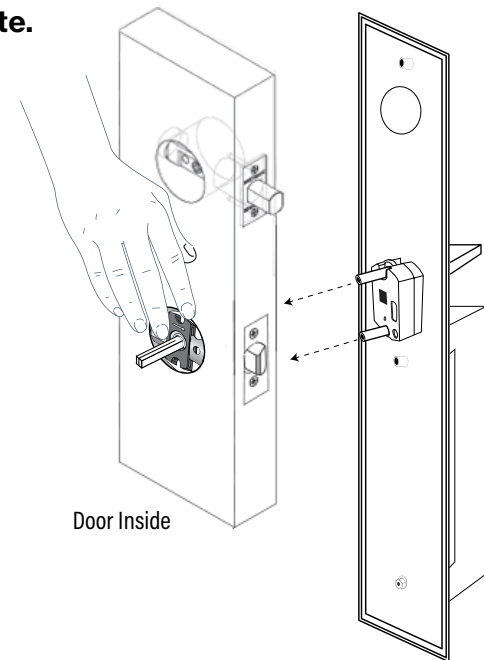


**G** Install one-piece exterior plate.

Carefully line up the exterior plate so the posts on the actuator seat into the openings of the alignment block.

Steady the alignment block and latch with your fingers while sliding the exterior plate into place.

Wiggle the interior spindle if necessary. Hold the exterior plate in place, and proceed to step H.

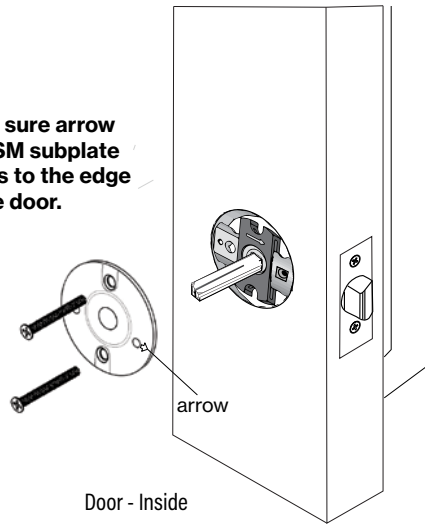


**H**

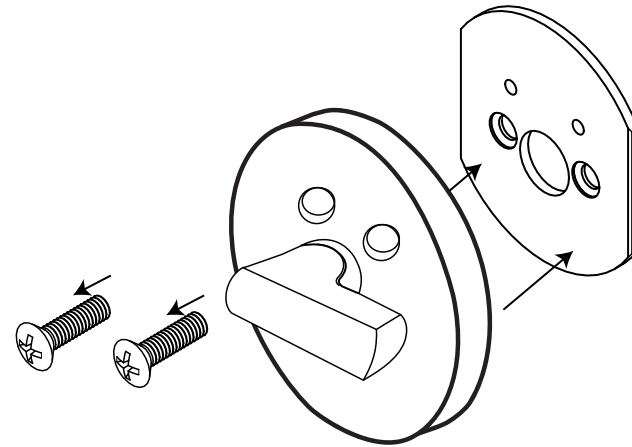
**Attach CSM subplate (#21) with 1-3/4" screws (#20).**

**DO NOT FULLY TIGHTEN**

Make sure arrow on CSM subplate points to the edge of the door.

**I**

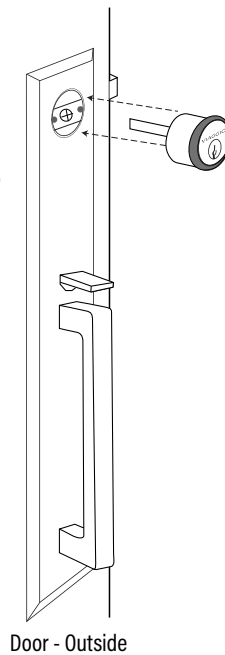
**Locate deadbolt thumbturn and remove adaptor plate attached to it.**

**J**

**Drop deadbolt cylinder (3A) into spin ring (3C). Install onto exterior side of handleset.**

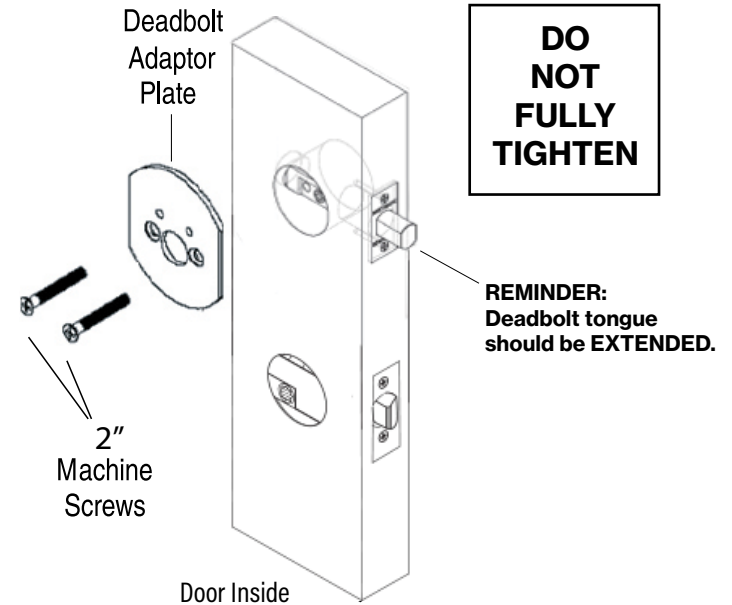
(1) Drop cylinder tail-first into spin ring so the edge of the face nests into recessed area atop the spin ring's raised lip.

(2) Carefully align tailpiece to insert into "+" of the deadbolt latch. Slide into place.

**K**

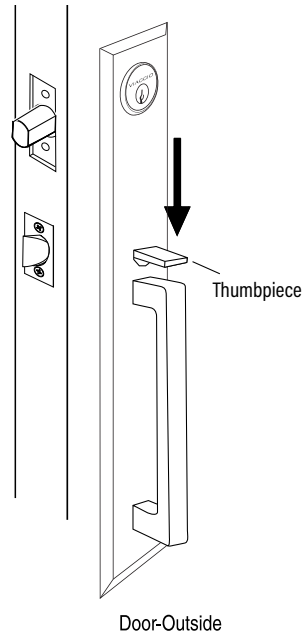
**Attach deadbolt adaptor plate with 2" machine screws.**

**DO NOT FULLY TIGHTEN**



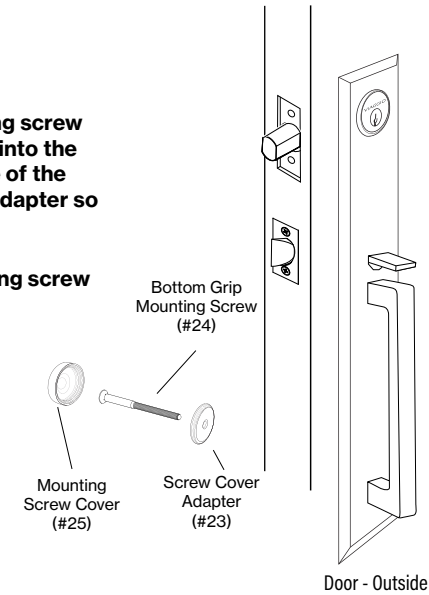
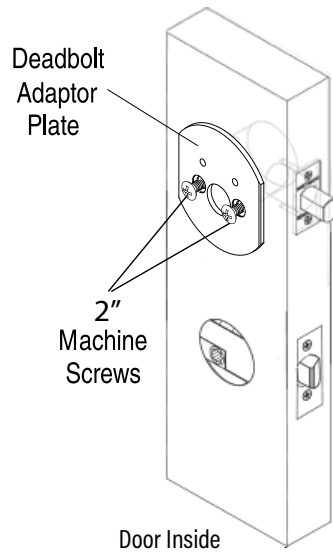
**L****Check operation.**

- 1) Check handleset latch operation by pressing down on the thumbpiece.
- 2) Tighten CSM subplate screws and once again check handleset latch operation.

**M****Slide bottom mounting screw (#24) into screw cover adaptor (#23) and install.**

**Note:** Mounting screw should install into the recessed side of the screw cover adaptor so it is flush.

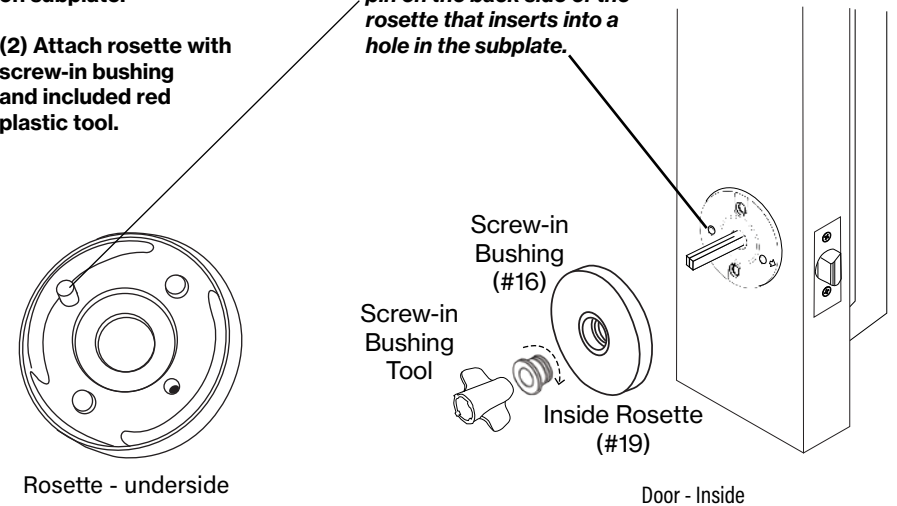
**Install mounting screw cover (#25).**

**N****Tighten deadbolt adaptor plate screws (#6).****O****Install the interior rosette (#19).**

**(1) Position inside rosette on subplate.**

**(2) Attach rosette with screw-in bushing and included red plastic tool.**

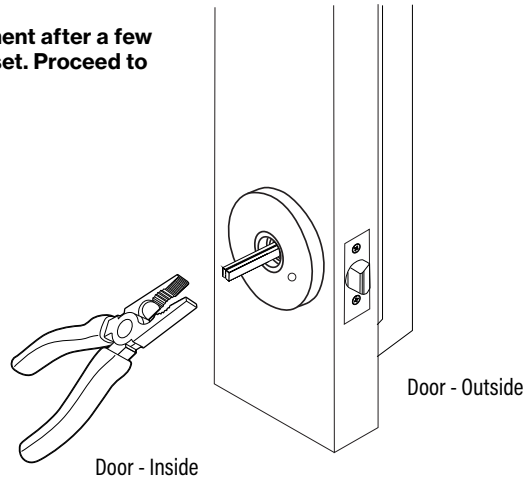
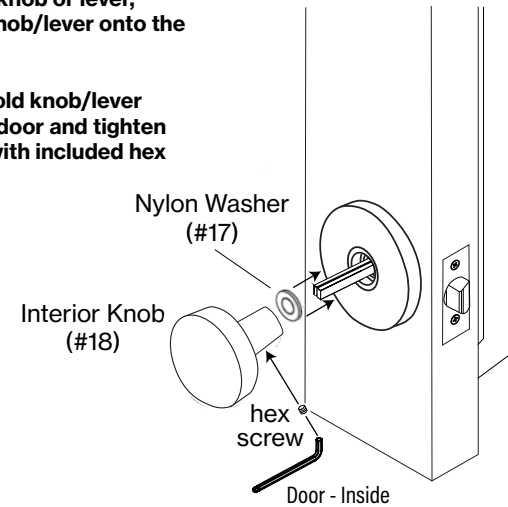
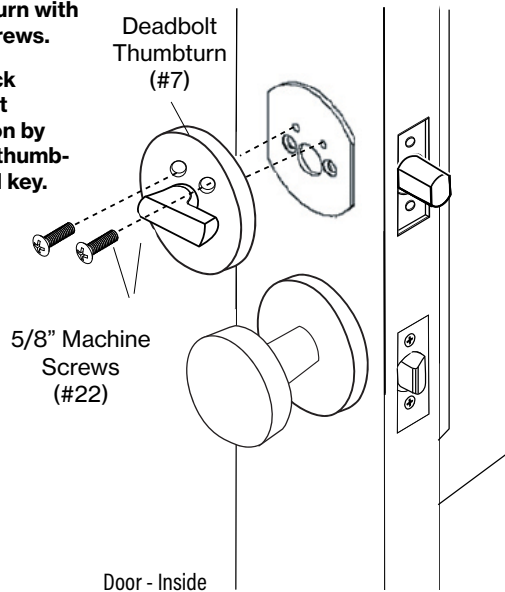
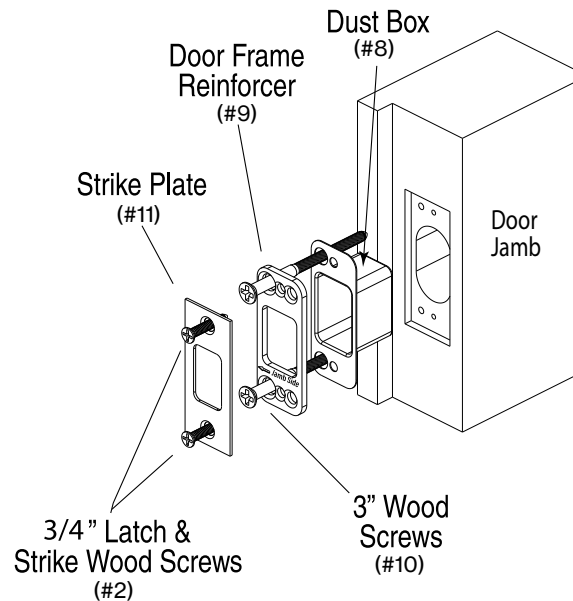
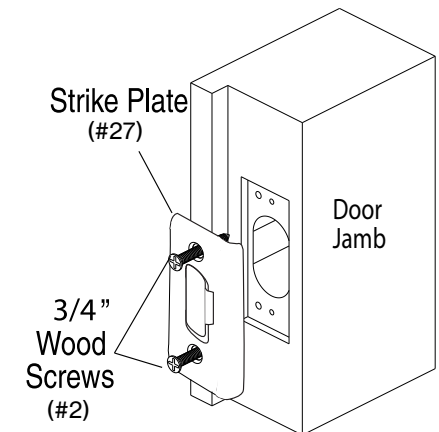
**Note:** there is an alignment pin on the back side of the rosette that inserts into a hole in the subplate.



**P****Check that spindle is set, and slot is in vertical position.**

Gently pull spindle with pliers.

If there is no movement after a few tugs, the spindle is set. Proceed to next step.

**Q****Install the interior knob or lever (#18).****(1)** Place the nylon washer against the knob or lever, then slide knob/lever onto the spindle.**(2)** Firmly hold knob/lever against the door and tighten hex screw with included hex wrench.**R****Install deadbolt thumbturn (#7).****(1)** Attach deadbolt thumbturn with 5/8" screws.**(2)** Check deadbolt operation by turning thumbturn and key.**S****Install deadbolt dust box (#8), door frame reinforcer (#9), and strike plate (#11).****T****Install handleset strike plate (#27).**

# Exploded Drawing Single Cylinder Handleset— Rosette with One-Piece Exterior Plate

Part  
Number    Part  
Description

1. Deadbolt Latch
- 1A. Latch Tongue
- 1B. Faceplate for Deadbolt
2. 3/4" Faceplate & Strike Wood Screws (8)
3. Cylinder
- 3A. Cylinder Body
- 3B. Tailpiece
- 3C. Spin Ring
4. One-Piece Exterior Plate
5. Deadbolt Adapter Plate
6. 2" Machine Screws (2) for 1-3/4" thick doors. 2-1/4" Machine Screws (2) for 2" thick doors.
7. Deadbolt Thumbturn
8. Dustbox for Deadbolt
9. Door Frame Reinforcer
10. 3" Reinforcer Wood Screws (2)
11. Strike Plate for Deadbolt
12. Handleset Latch
- 12A. Latch Tongue
13. Latch Faceplate
14. Alignment Block
15. Handleset Spindle (74 mm)
16. Screw-In Brass Bushing
17. Nylon Washer
18. Interior Door Knob
19. Interior Rosette
20. 1-3/4" Adapter Plate Machine Screws
21. CSM Subplate
22. 5/8" Machine Mounting Screws
23. Screw Cover Adapter
24. 2-1/2" Bottom Grip Mounting Screw for 1-3/4" thick doors. 2-3/4" for 2" thick doors.
25. Mounting Screw Cover
26. Strike Plate for Handleset

