

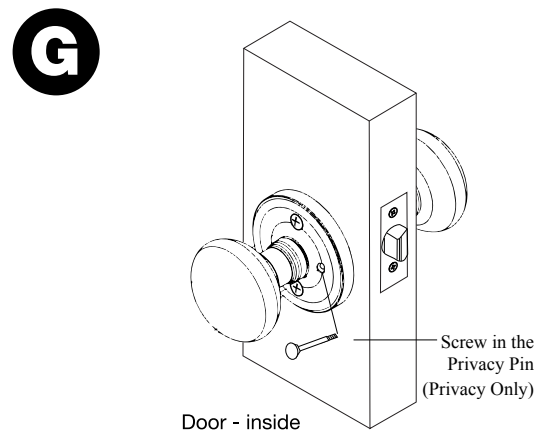
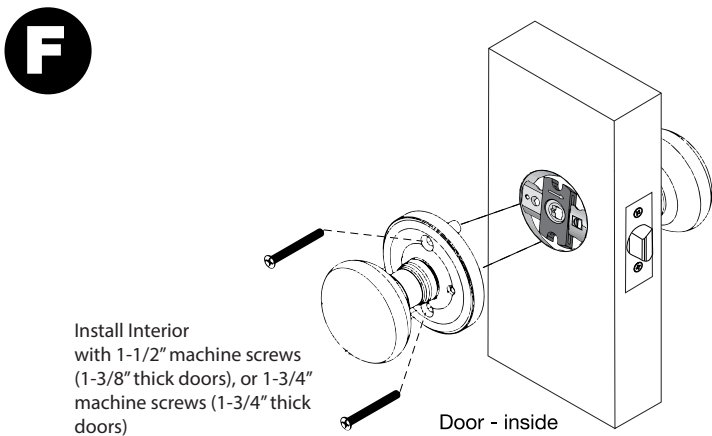
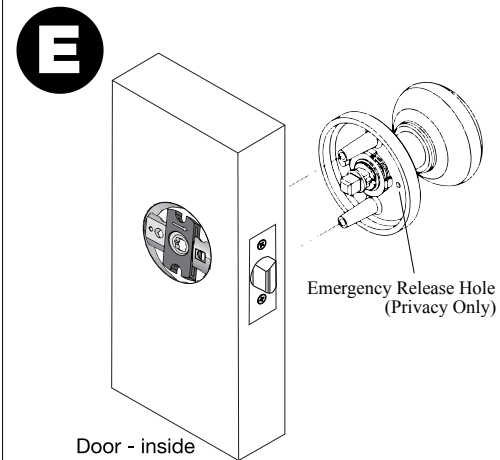
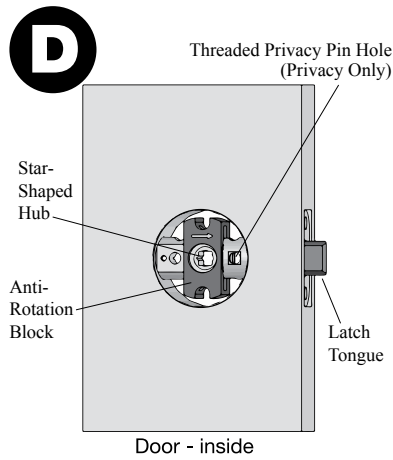
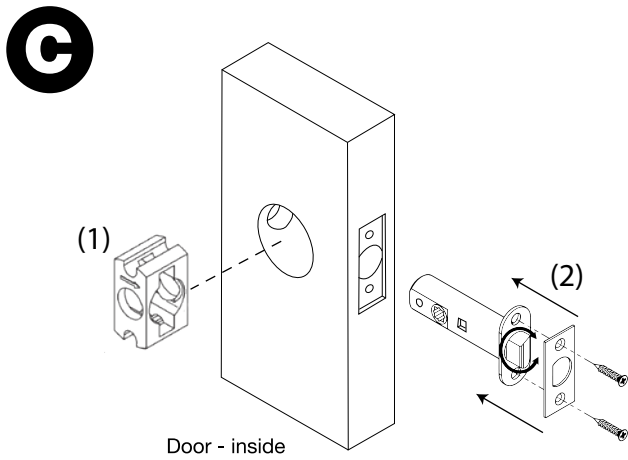
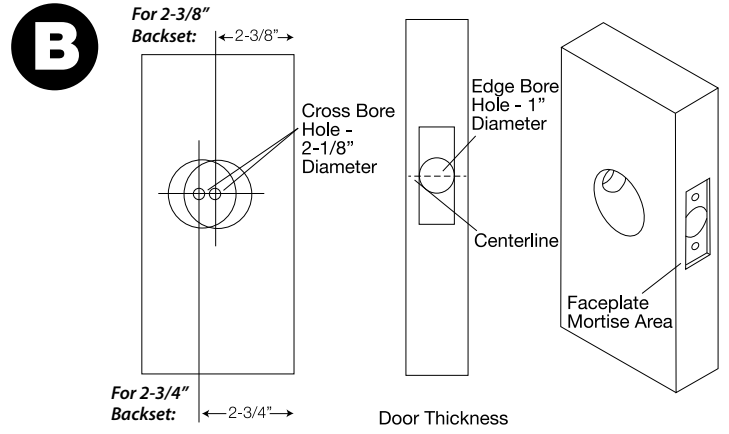
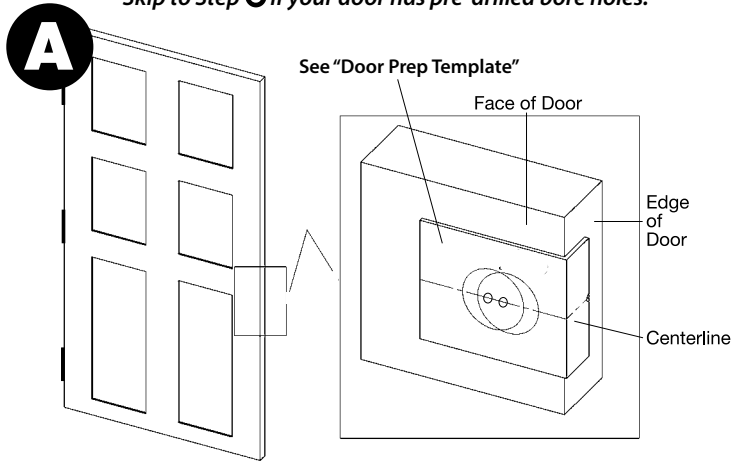
Rosette Door Hardware Installation Instructions

**DO NOT USE
POWER DRIVER**

Passage/Privacy

Note: Passages and privacies fit doors 1-3/4" thick

Skip to Step **G** if your door has pre-drilled bore holes.



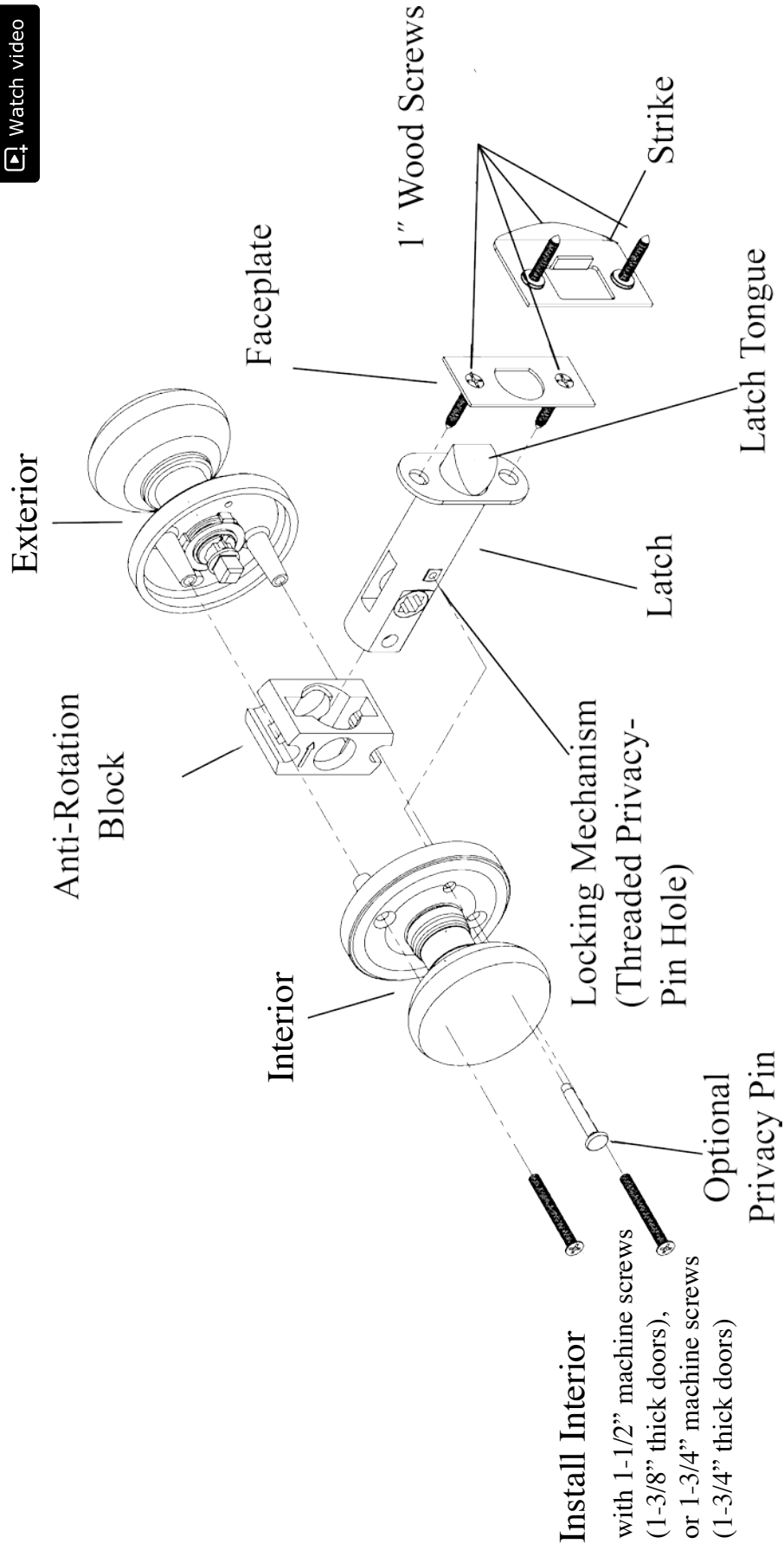
Grandeur[®]
Luxury for Life™

For assistance call 1-844-372-6848 Monday through Friday, 7 am to 4 pm Mountain Time
or visit www.GrandeurHardware.com/support



PK143 10262023

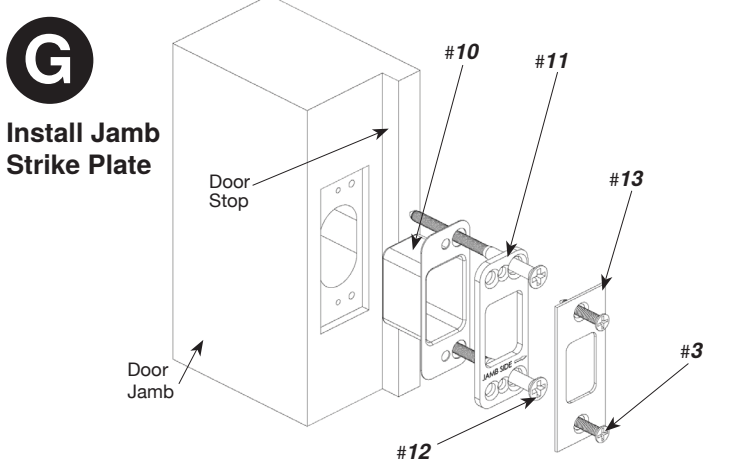
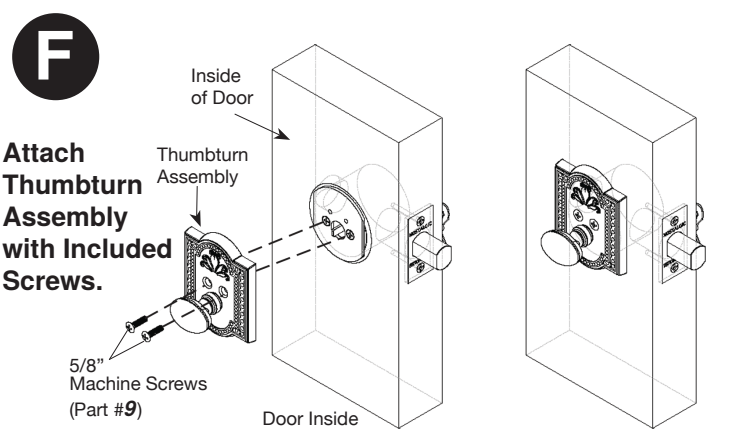
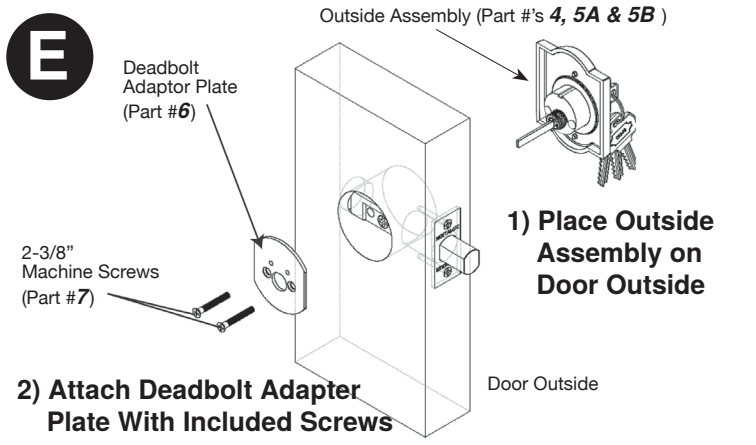
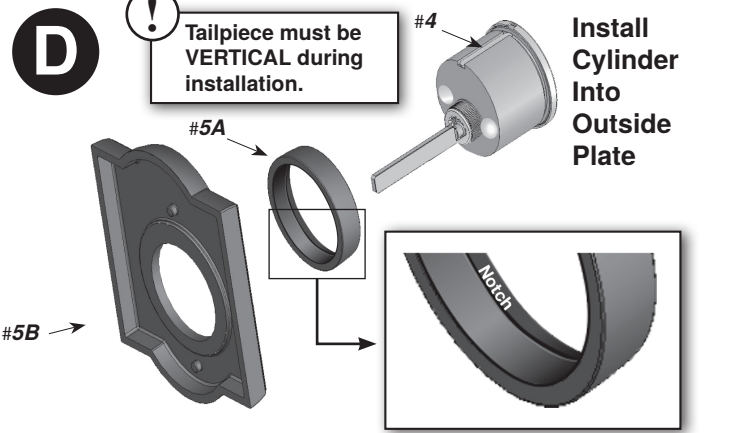
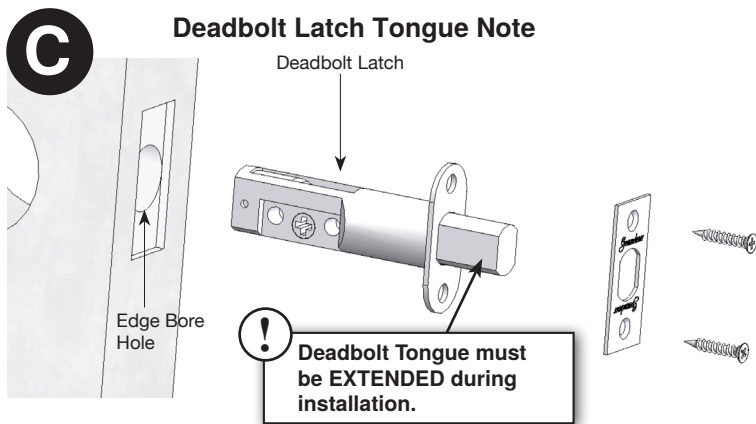
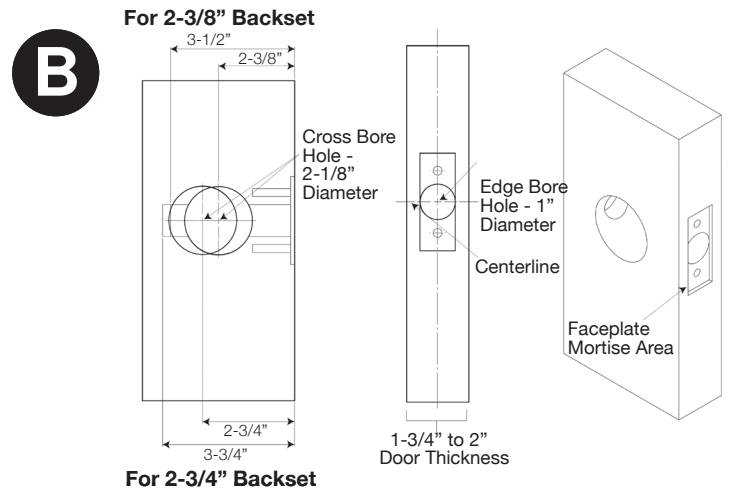
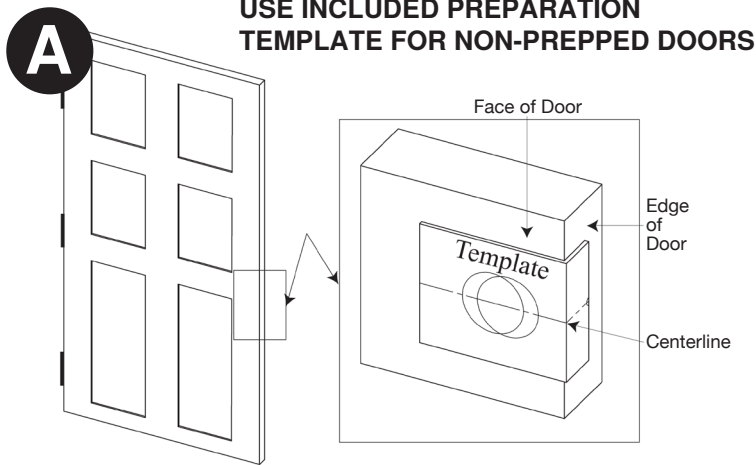
Figure #1



Door Hardware Installation Instructions

Single Cylinder Deadbolt

*NOTE: Deadbolts fit doors 1-3/4" to 2" thick.
For thicker doors, please call customer service.*



Grandeur[®]
Luxury for Life™

For assistance call
1-800-522-7336
Monday -Friday
7am-4pm MT
or visit www.GrandeurHardware.com/support

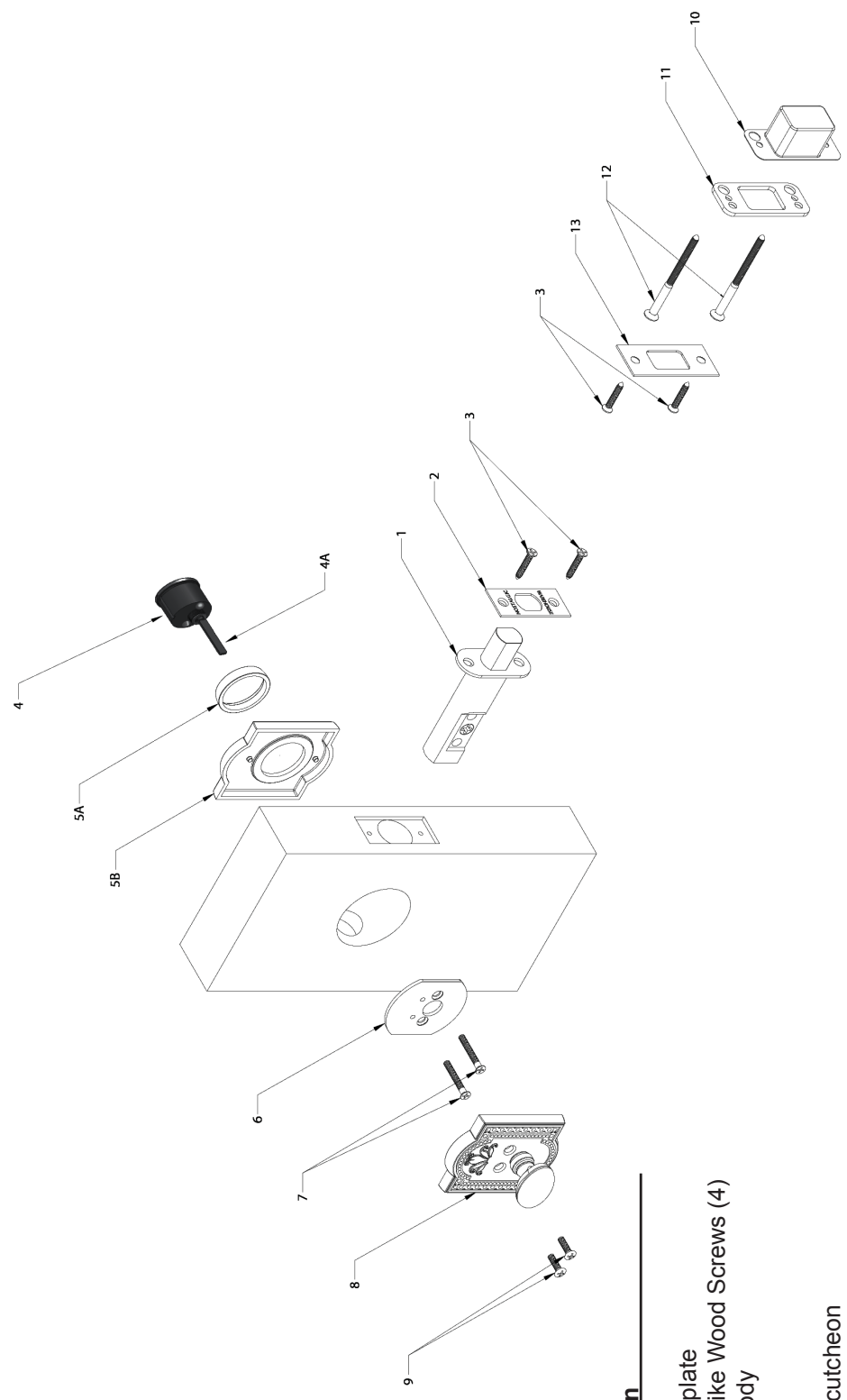
Watch video

Door Hardware Installation Instructions

Single Cylinder Deadbolt

NOTE: Deadbolts fit doors 1-3/4" to 2" thick.

Single Cylinder Deadbolt Exploded Parts Drawing



Part #	Part Description
1	Latch
2	Latch Faceplate
3	Latch & Strike Wood Screws (4)
4	Cylinder Body
4A	Tailpiece
5A	Spin Ring
5B	Outside Escutcheon
6	Deadbolt Adapter Plate
7	2-3/8" Machine Screws (2)
8	Thumbturn Assembly
9	5/8" Thumbturn Machine Screws (2)
10	Dust Box
11	Door Frame Reinforcer
12	3" Reinforcer Wood Screws (2)
13	Strike Plate

Grandeur
Luxury for Life™

For Assistance Call: **1-800-522-7336**
7 am - 4 pm, Monday - Friday, Mountain Time



Watch video