



Grandeur[®]

Luxury for Life[™]



Long Plate Installation Instructions

*With step-by-step Installation Pictograms
and Drilling Template*



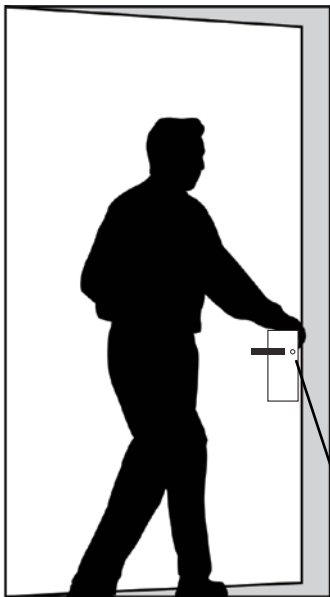
Watch video

Tools Required: Flat Blade Screwdriver & #2 Phillips Screwdriver

DO NOT USE POWER DRIVER

A

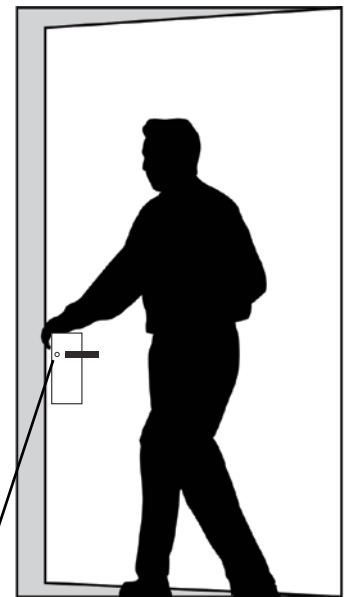
DETERMINING LOCK LOCATIONS



Outside

Hinge is on the left.
Door is **Left Hand**.

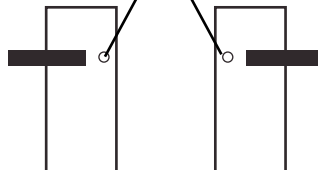
1. If your lock set has levers, and/or is a privacy, it has an **inside** half, and an **outside** half. Remove these from the box.
2. If your lock set is a passage with knobs, skip to step 6 below, as both halves are the same.
3. Use the diagrams to the left and right to determine if your door is left or right hand.
4. Outside levers on left hand doors point to the left (towards the hinges.)
5. Outside levers on right hand doors point to the right (towards the hinges.)
6. Privacy locks have holes next to the edge of the door, opposite the hinges.
7. Hold each of your lock halves next to the outside of the door to determine which half should be attached on the outside.



Outside

Hinge is on the right.
Door is **Right Hand**.

**Privacy release hole must be
next to the edge of the door!**



Long Plate Door Hardware Installation Instructions

Updated August 2017

Fits doors
1-3/4" to 2" thick

Passage/Privacy

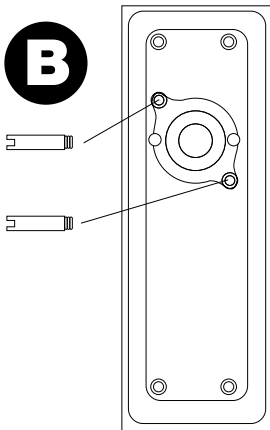


Watch video

A

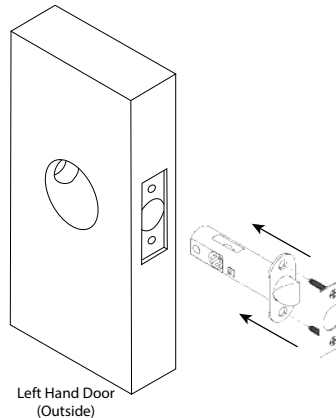
Be sure to
**DETERMINE
LOCK
LOCATION**
(previous page)

B



Attach the silver mounting posts to the back of the outside half with a flat blade screwdriver.

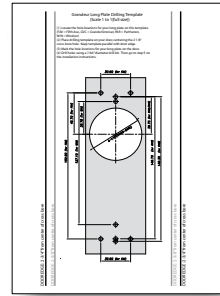
C



Left Hand Door
(Outside)

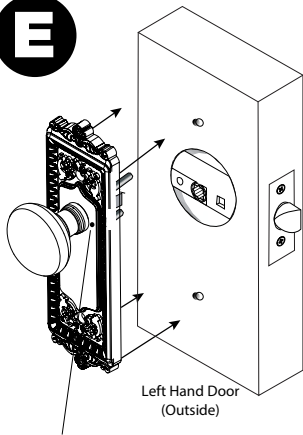
Insert the latch.

D



To drill the mounting holes, refer to the template on the opposite page.

E

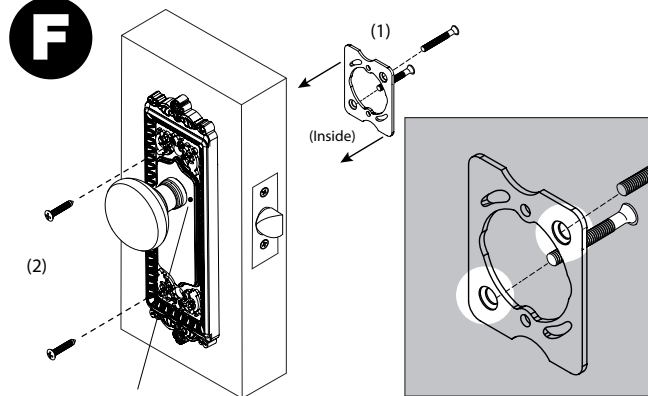


Emergency Release Hole
(Privacy Only)

Left Hand Door
(Outside)

Attach outside half to door.

F



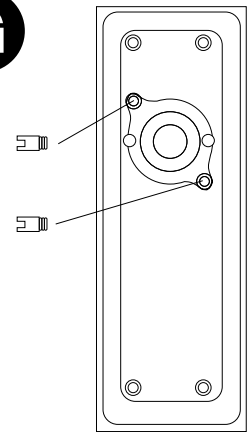
Emergency Release Hole
(Privacy Only)

Left Hand Door
(Outside)

Mounting Plate

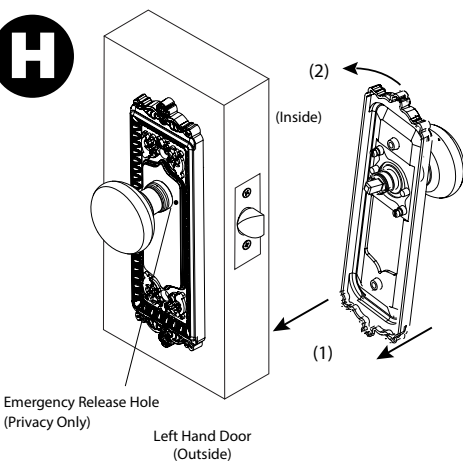
(1) Hold mounting plate against the inside of the door. Insert 1-1/4" long machine screws through mounting plate into silver posts on outside half, and tighten. (2) Insert 1" long wood screws in outside half.

G



Attach the short gold mounting posts to the back of the inside half.

H

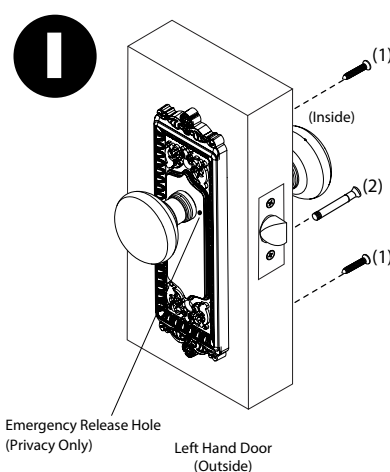


Emergency Release Hole
(Privacy Only)

Left Hand Door
(Outside)

(1) Push inside half onto mounting plate at an angle.
(2) Rotate inside half clockwise to lock in place.

I

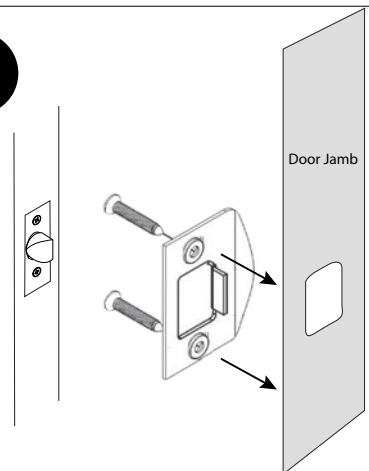


Emergency Release Hole
(Privacy Only)

Left Hand Door
(Outside)

(1) Insert 1" long wood screws into inside half.
(2) Insert privacy pin (Privacy Only).

J

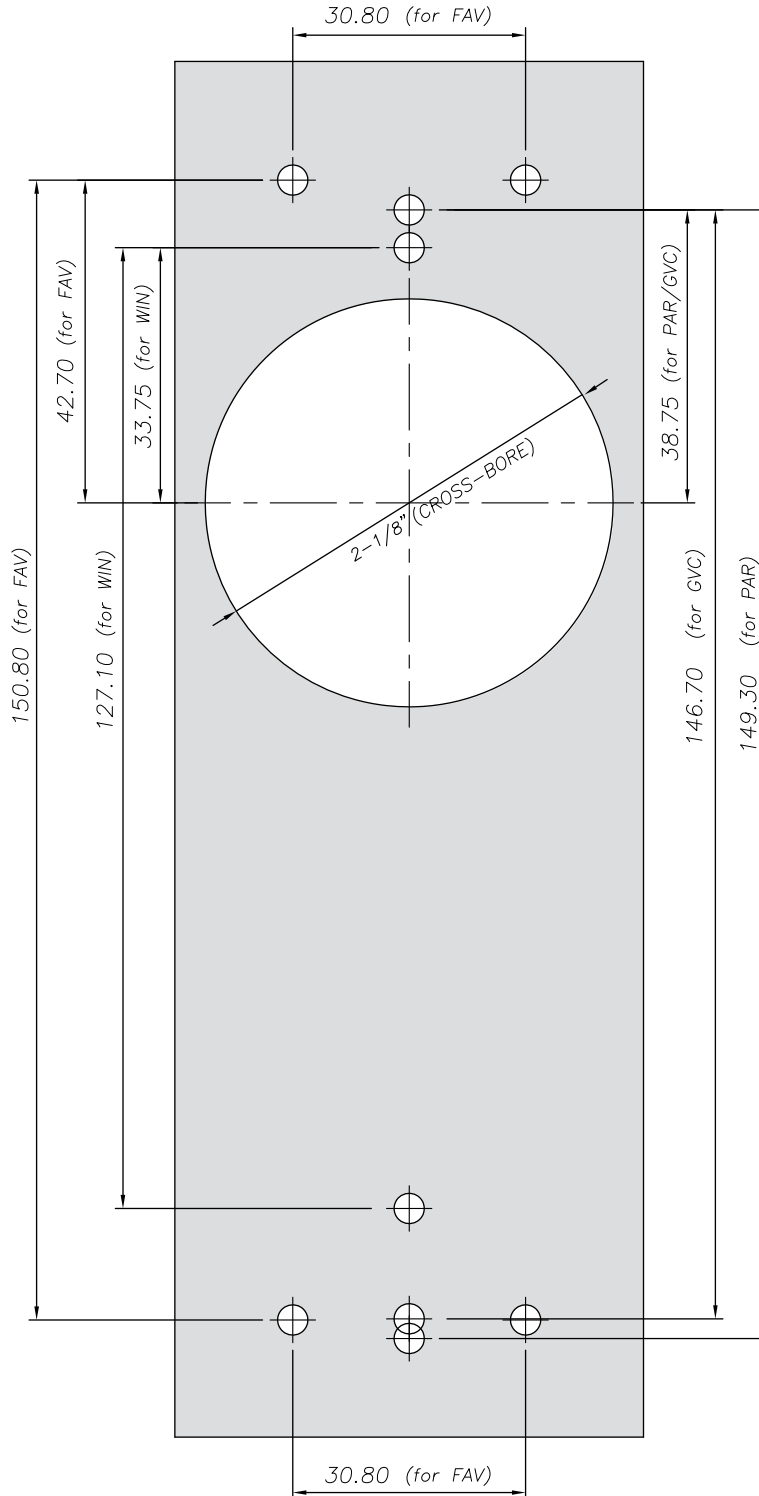


Door Jamb

Attach the strike plate to the door jamb using 1" long wood screws.

Grandeur Long Plate Drilling Template (Scale 1 to 1 (full size))

- (1) Locate the hole locations for your long plate on this template.
(FAV = Fifth Ave., GVC = Grande Victorian, PAR = Parthenon, WIN = Windsor)
- (2) Place drilling template on your door, centering the 2 1/8" cross-bore hole. Keep template parallel with door edge.
- (3) Mark the hole locations for your long plate on the door.
- (4) Drill holes using a 7/64" diameter drill bit. Then go to step E on the installation instructions.

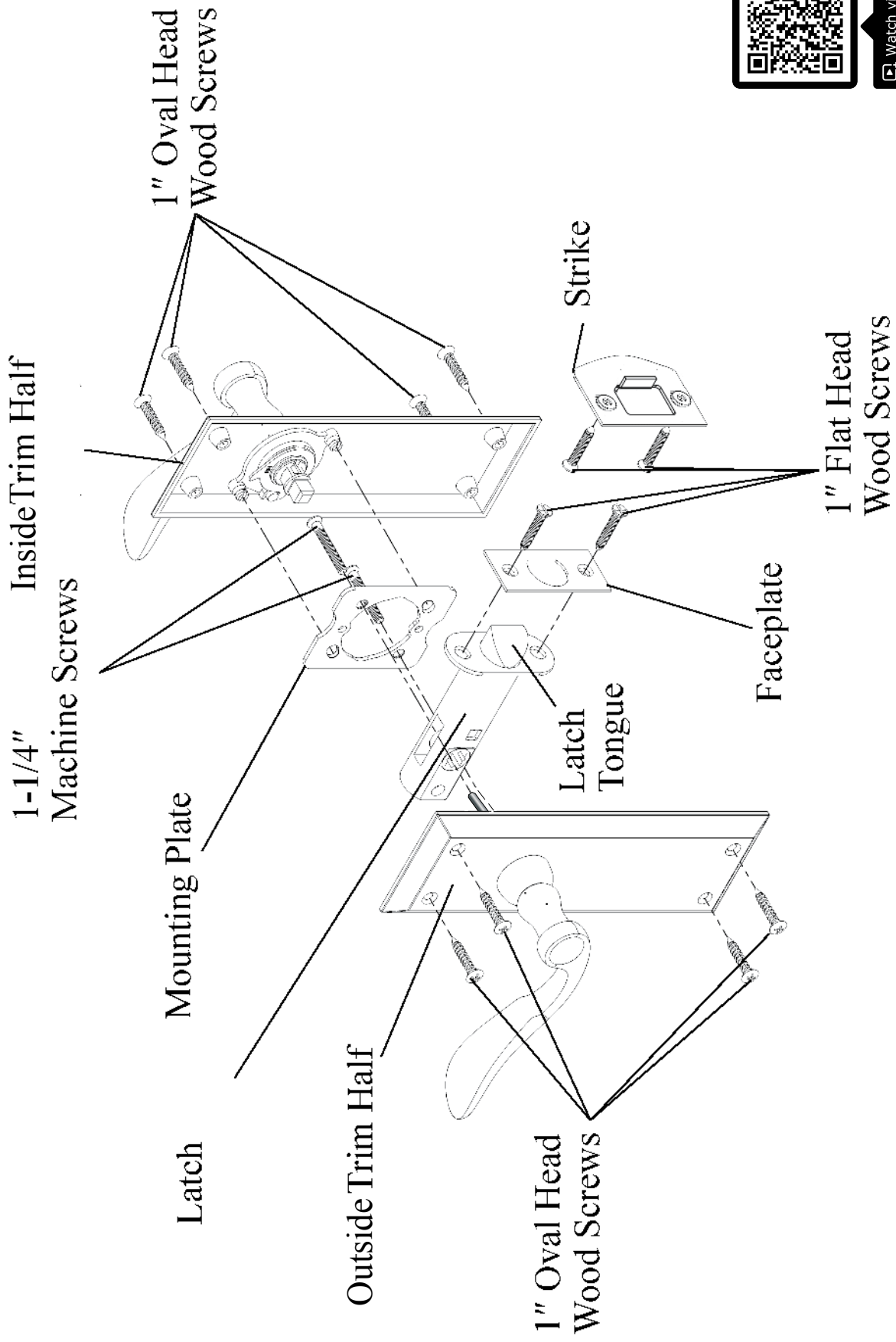


DOOR EDGE: 2-3/4" from center of cross bore

DOOR EDGE: 2-3/8" from center of cross bore

DOOR EDGE: 2-3/8" from center of cross bore

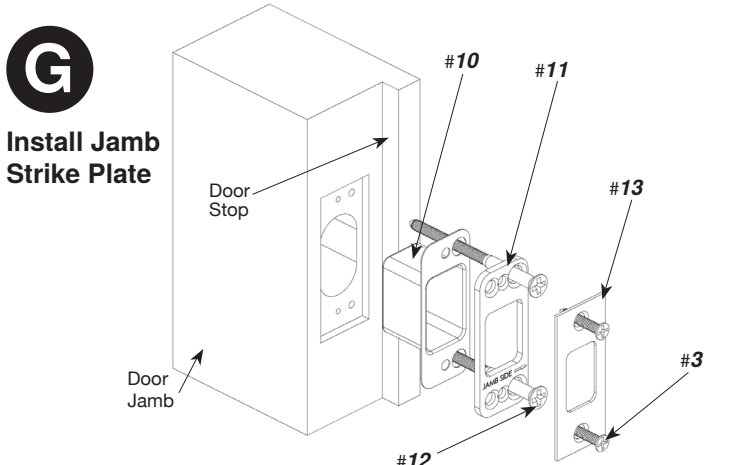
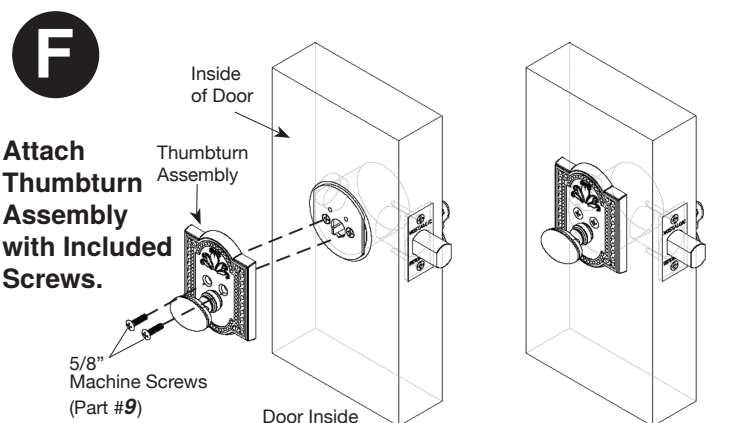
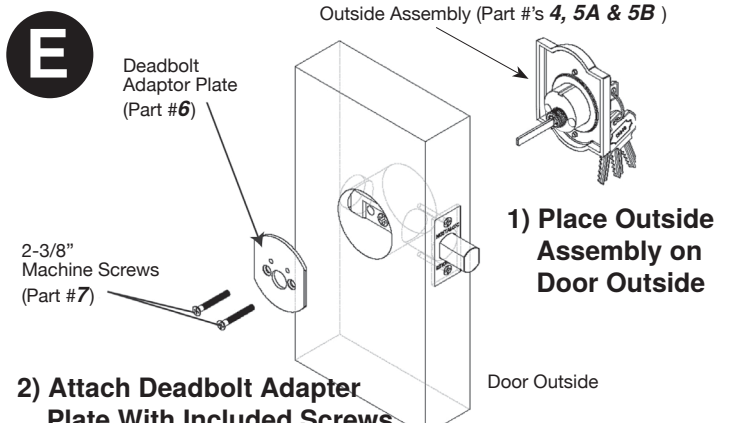
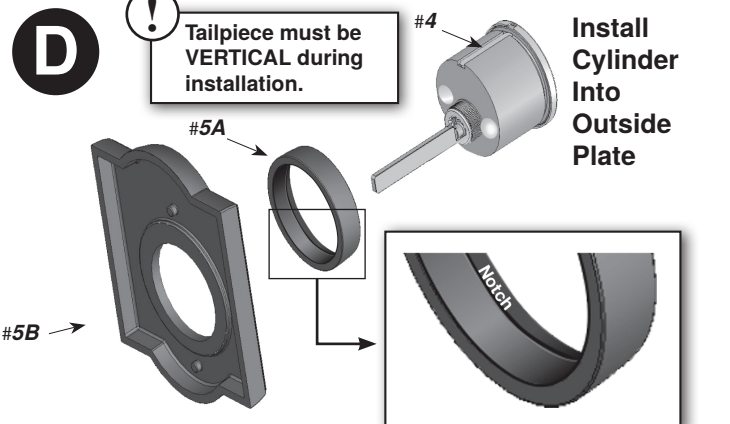
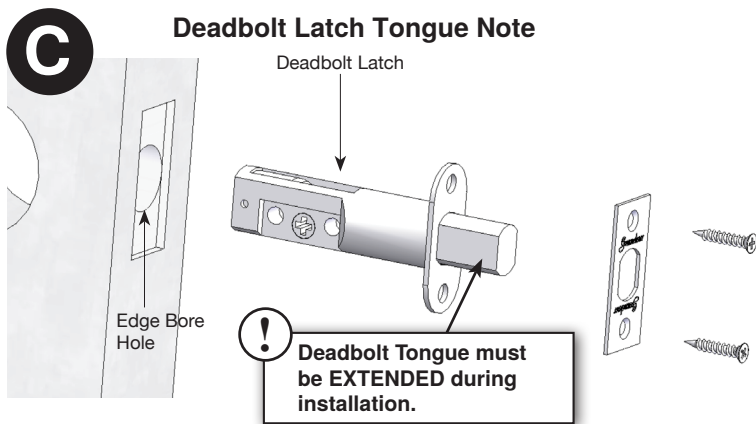
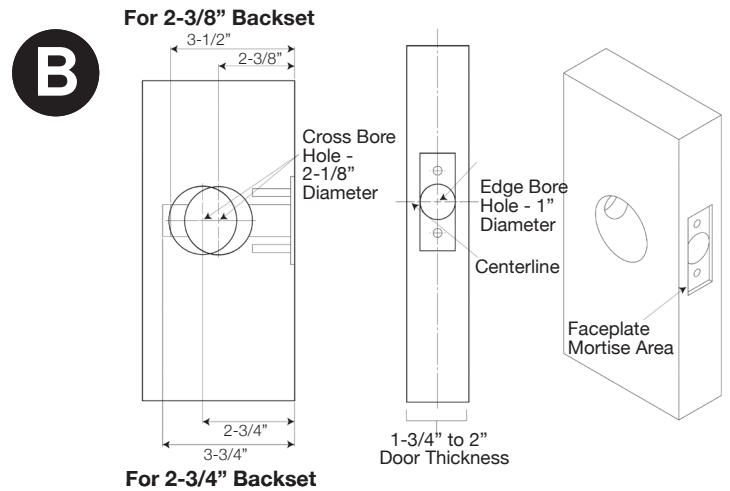
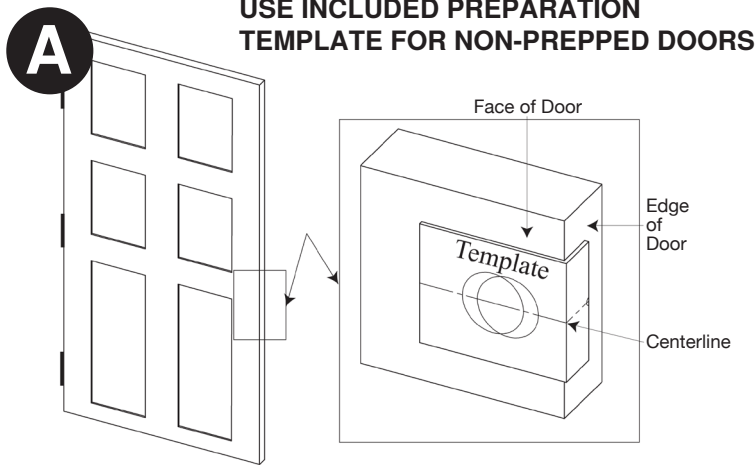
DOOR EDGE: 2-3/4" from center of cross bore



Door Hardware Installation Instructions

Single Cylinder Deadbolt

*NOTE: Deadbolts fit doors 1-3/4" to 2" thick.
For thicker doors, please call customer service.*



Grandeur[®]
Luxury for Life™

For assistance call
1-800-522-7336
Monday -Friday
7am-4pm MT
or visit www.GrandeurHardware.com/support

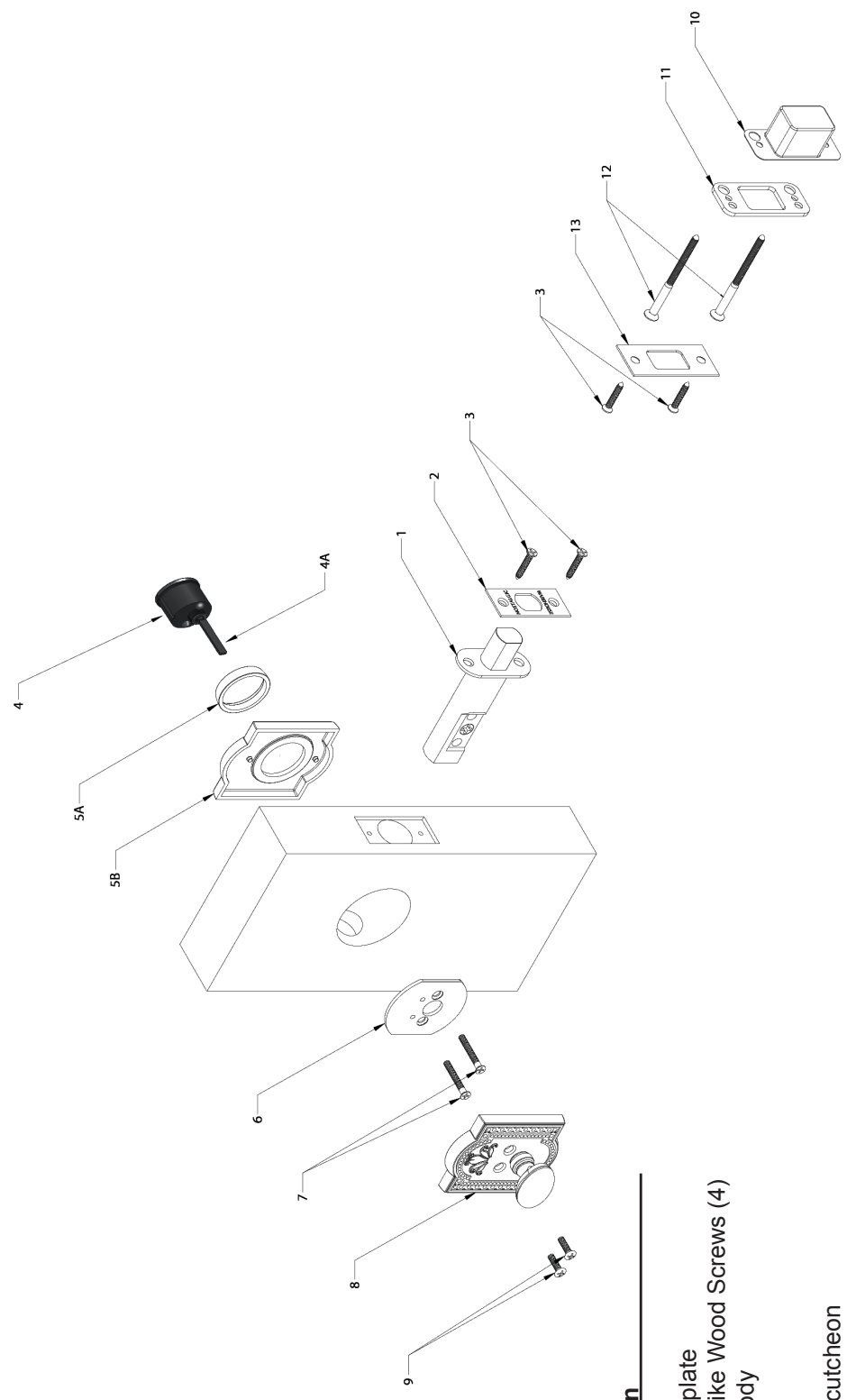
Watch video

Door Hardware Installation Instructions

Single Cylinder Deadbolt

NOTE: Deadbolts fit doors 1-3/4" to 2" thick.

Single Cylinder Deadbolt Exploded Parts Drawing



Part #	Part Description
1	Latch
2	Latch Faceplate
3	Latch & Strike Wood Screws (4)
4	Cylinder Body
4A	Tailpiece
5A	Spin Ring
5B	Outside Escutcheon
6	Deadbolt Adapter Plate
7	2-3/8" Machine Screws (2)
8	Thumbturn Assembly
9	5/8" Thumbturn Machine Screws (2)
10	Dust Box
11	Door Frame Reinforcer
12	3" Reinforcer Wood Screws (2)
13	Strike Plate

Grandeur
Luxury for Life™

For Assistance Call: **1-800-522-7336**
7 am - 4 pm, Monday - Friday, Mountain Time



Watch video