



HD5400

Half Surface Continuous Geared Hinge

PRODUCT CUT SHEET

PROJECT:
SUBMITTED BY:
DATE:
NOTES:

$\frac{3}{32}$ " Door Inset for $1\frac{3}{4}$ " to $2\frac{1}{4}$ " Doors

- ▶ Aluminum Alloy 6063-T6; Anodized After Machining
- ▶ Specially Designed Involute Intermeshing Gears
- ▶ Proprietary Teflon Infused Self-Lubricating Wear-Resistant Bearings
- ▶ No Hinge Reinforcement Necessary Except on Extremely Heavy, Extremely High-Frequency or Extra-Wide Doors
- ▶ Lifetime of the Door Opening Warranty
- ▶ Frame Leaf: #12-24 TEK Flat Head MS
- ▶ Door Leaf: #12-24 TEK Pan Head MS and $\frac{1}{4}$ "-20 Thru-Bolts
- ▶ Standard Lengths: 83", 85", 95", 119"

Options:

- ▶ #12 x $1\frac{1}{2}$ " Wood Screws
- ▶ Torx Security TEK & T.B. M.S.
- ▶ $1\frac{1}{2}$ " Torx Security Wood Screws
- ▶ Cut to Net Length - Specify Door Handing
- ▶ Anti-Ligature Hospital Tip - Specify "TIPIT-LG"
- ▶ Dutch Door Prep - Specify Door Handing, Top Door Leaf Length, and Clearance Between Leaves

Finishes:

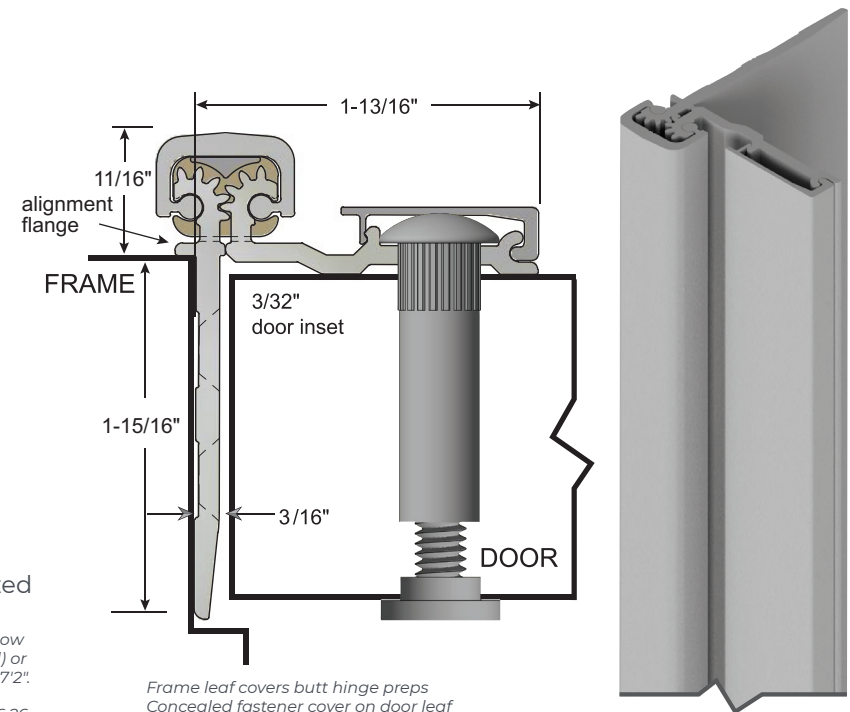
- A - Anodized Aluminum
- DKB - Dark Bronze Anodized



Fire-rated 90 minute on hollow metal (except steel stiffened) or wood door leaves up to 4'0" x 7'2".



ANSI/BHMA Certified to A156.26 American National Standard for Continuous Hinges:
Grade 1 - 150 lb. Door
Grade 1 - 600 lb. Door



Frame leaf covers butt hinge preps
Concealed fastener cover on door leaf

Note: For Door Sizing Refer to Installation Instruction.

NGP-CHG-HD5400-PCS-1220-A