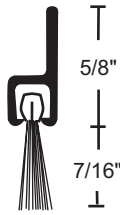


Nylon Brush Seals



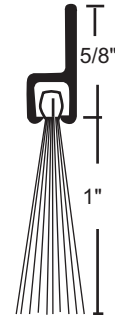
#6 x 3/4" Stainless Steel Sheet Metal Screws furnished. Screw holes slotted for adjustment.



A605A
A605B
A605DKB



OV634A
OV634B
OV634DKB



OV633A
OV633B
OV633DKB



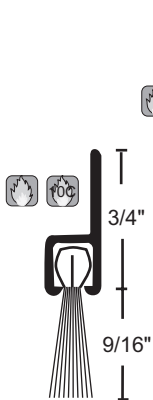
B606A
B606B
B606DKB



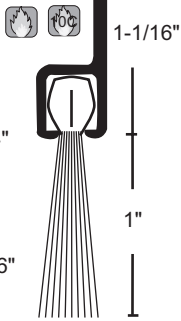
600
600A
600B
600DKB



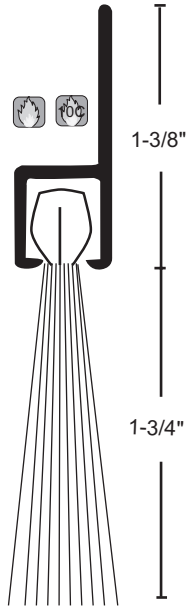
601
601A
601B
601DKB



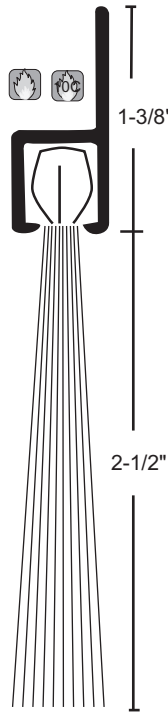
C607A
C607B
C607DKB



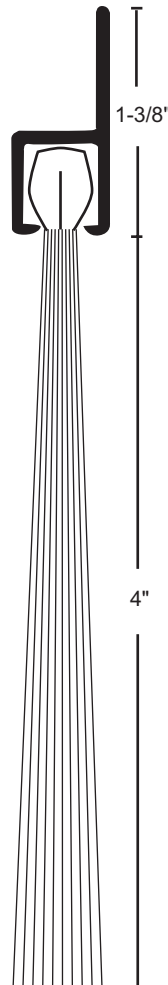
D608A
D608B
D608DKB



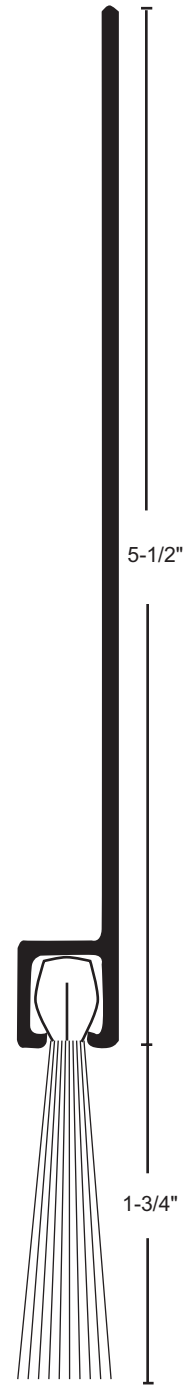
G610A
G610B
G610DKB



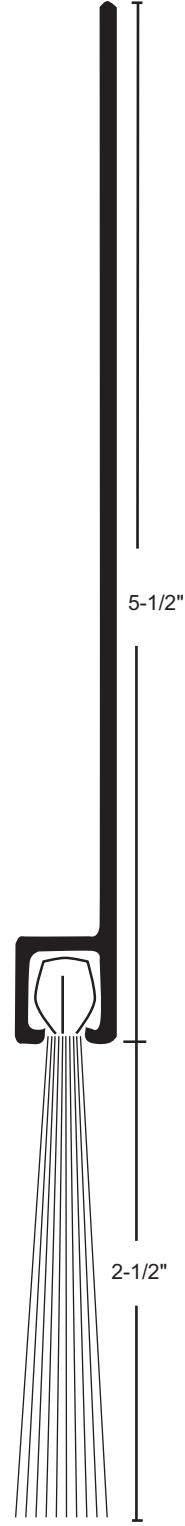
H612A
H612B
H612DKB



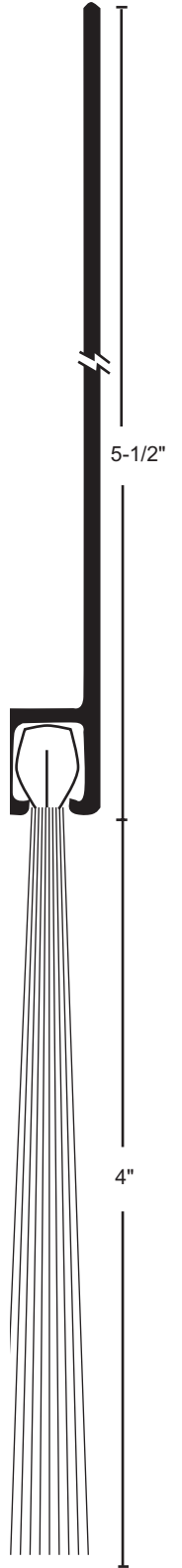
I-615A
I-615B
I-615DKB



G611A
G611DKB



H614A
H614DKB



I-616A
I-616DKB

Nylon Brush Sweeps

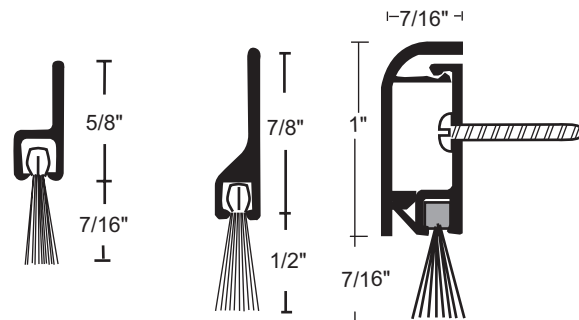
#6 x 3/4" Stainless Steel Sheet Metal Screws furnished.
Screw holes are slotted for adjustment.

- A** - anodized aluminum with gray brush
- B** - gold with black brush
- DKB** - dark bronze with black brush
- no suffix** - mill aluminum with gray brush

All products this page



Our exclusive line of premium grade seals specially formulated to withstand greater temperature extremes while providing maximum protection against air infiltration.



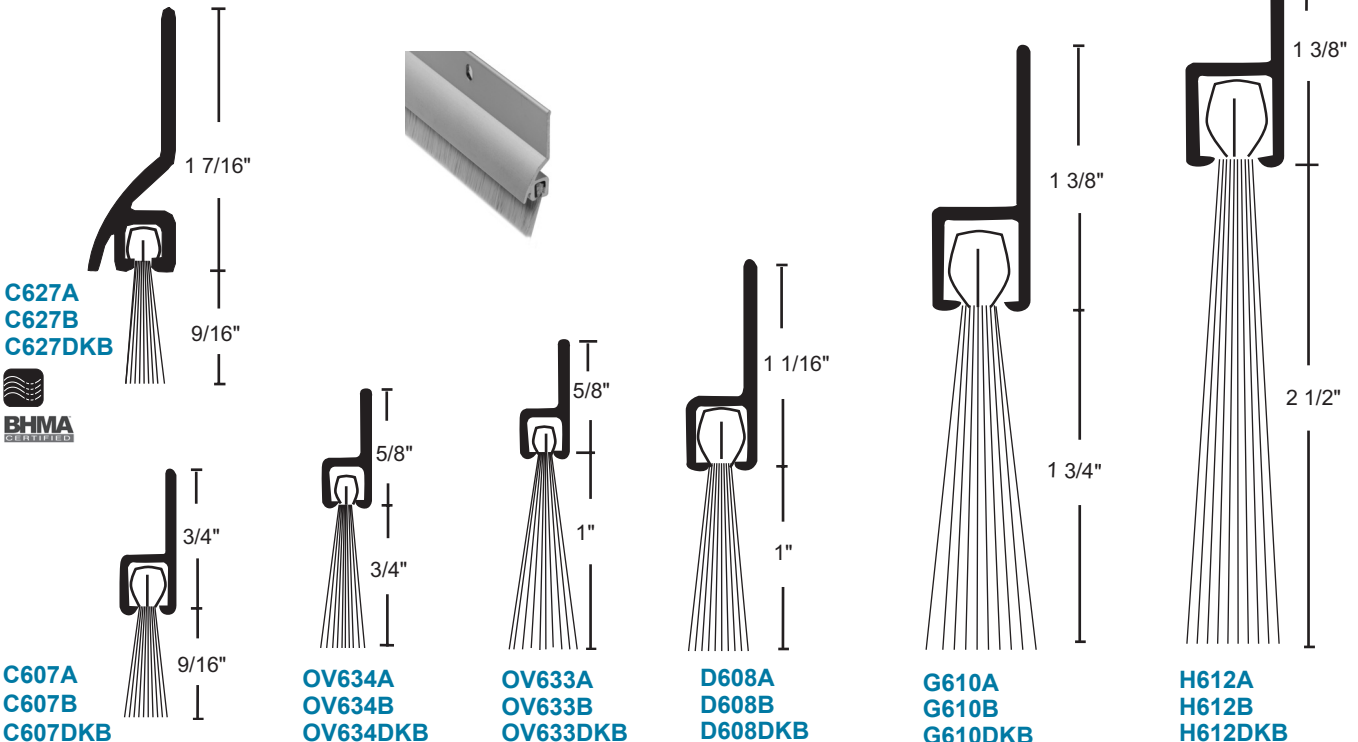
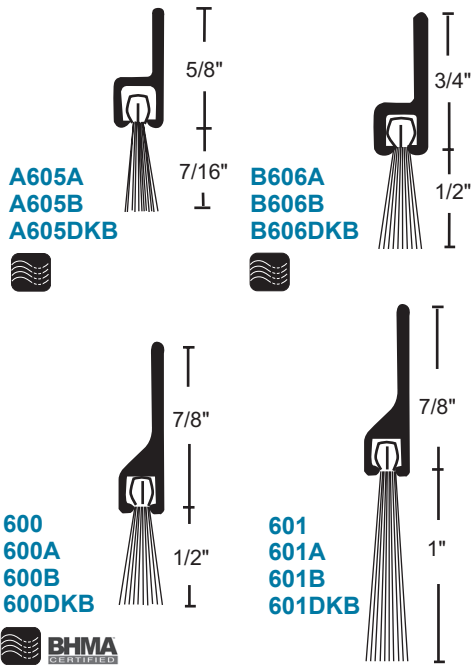
9605A
9605B
9605DKB



9600
9600A
9600B
9600DKB



9675
9675A
9675B
9675DKB



C607A
C607B
C607DKB



OV634A
OV634B
OV634DKB

OV633A
OV633B
OV633DKB

D608A
D608B
D608DKB

G610A
G610B
G610DKB

H612A
H612B
H612DKB