



SEALS

GASKETING &
AUTOMATIC DOOR BOTTOMS





GASKETING INDEX:

Acoustical Door Shoes.....	G39
Adjustable Perimeter Seals.....	G32
Automatic Door Bottoms.....	G35-G38
Concealed Fastener Nylon Brush Sweeps.....	G47
Concealed Fastener Seals.....	G29
Door Bottom Seals.....	G50
Extended Door Shoes.....	G40
Finned Vinyl Door Shoes.....	G43
Foam Seals.....	G24
Gasketing Fasteners.....	G59
Guards/Seals.....	G58
Magnetic Astragal Sets.....	G53
Mortised Astragals.....	G56
Neoprene and Silicone Sweeps.....	G46
Neoprene Bulb Seals.....	G22
Neoprene Sponge Seals.....	G21
Neoprene, Nylon Brush, Double Fin Door Shoes.....	G42
NGP-Edge® Sealing System.....	G18-G19
Nylon Brush Seals.....	G25-G26
Nylon Brush Seals with EPDM Rubber Insert.....	G49
Nylon Brush Sweeps.....	G48
Overhead Door Bottom Seal.....	G50
Overlapping Astragals.....	G54
Perimeter Seals.....	G27-28
Polypropylene Pile Door Shoes.....	G41
Polypropylene Pile Seals.....	G20
Polyurethane Seals.....	G22
Safety Seal for Double-Acting Doors.....	G57
Seal for Mullion Applications.....	G14
Self-Adhesive Gasketing FATT.....	G14
Self-Adhesive Pile Astragals.....	G57
Self-Adhesive Silicone Gasketing.....	G15-G18
Silicone Seals.....	G23-G24
Smoke-Rated Astragal Seals.....	G51
Smooth Vinyl Door Shoes.....	G41
Solid Metal Astragals.....	G55
Specialty Astragal.....	G54
Spring Adjustable Astragal Sets.....	G53
Spring Adjustable Mortised Astragals.....	G57
Spring Adjustable Perimeter Seals.....	G34
Stainless Steel.....	G30-31
STC Rated Acoustical Foam Pad.....	G39
Steel Mounting Brackets.....	G33
Steel Security Astragals.....	G55
Surface Mounted Astragal Sets.....	G52
Thermoplastic Door Shoes.....	G44-G45
Vinyl Seals.....	G20
Vinyl Sweeps.....	G47

NUMERICAL INDEX:

3.....	G33	130N.....	G21	312V X 131N.....	G39	1015V.....	G47
5V.....	G41	130S.....	G23	313V.....	G43	1038N.....	G32
6V.....	G41	130SS.....	G30	318V.....	G43	1390SP.....	G55
7.....	G33	131N.....	G22	319ET.....	G45	1392SP.....	G55
12T.....	G45	133N.....	G21	319ET6.....	G44	2014R.....	G46
12T6.....	G44	134N.....	G22	319EV.....	G43	2525C.....	G16
12V.....	G41	134S.....	G24	319V.....	G43	3038N.....	G34
13T.....	G45	135N.....	G22	320.....	G37	5020.....	G18
13T6.....	G44	136.....	G50, G56	331.....	G42	5040C.....	G16
13V.....	G41	137N.....	G22, G51	335.....	G37	5050.....	G15
14R.....	G50, G54	137S.....	G24, G51	336.....	G57	5050 Anti-Lig.....	G15
15N.....	G42	139.....	G55	340.....	G57	5060C.....	G16
16.....	G58	139SP.....	G55	344.....	G45	5070.....	G17, G51
16SS.....	G31	139SS.....	G30, G55	384.....	G24	5075.....	G17
17.....	G58	140P.....	G53	420N.....	G36	5100.....	G14
17SS.....	G31	140S.....	G53	423N.....	G38	9115.....	G51
18V.....	G41	141.....	G34	520N.....	G36	9125.....	G51
19V.....	G41	143.....	G56	600.....	G26, G48, G52	9125SS.....	G30
26N.....	G42	144.....	G57	601.....	G26, G48	9600.....	G51
35EV.....	G43	149M.....	G53	602.....	G25	9605.....	G51
35ET.....	G45	150U.....	G22	603.....	G25	9700.....	G28
35ET6.....	G44	151.....	G56	A605.....	G26, G48, G52	9750C.....	G18
35V.....	G43	152S.....	G24	B606.....	G26, G48, G52	9800.....	G19
36ET.....	G45	152V.....	G20	C607.....	G26, G48	81369.....	G50
36ET6.....	G44	155S.....	G24	D608.....	G26, G48	FATT.....	G14
36EV.....	G43	155V.....	G20	G610.....	G26, G48		
36V.....	G43	156S.....	G24	G611.....	G26		
43CB.....	G58	156V.....	G20	H612.....	G26, G48		
54CP.....	G14	158.....	G54	H614.....	G26		
60FP.....	G39	159M.....	G58	I-615.....	G26		
92.....	G40	160S.....	G24	I-616.....	G26		
92T.....	G45	160U.....	G22	D620.....	G25		
92T6.....	G44	160V.....	G20	G622.....	G25		
95WH.....	G42	161N.....	G22	H623.....	G25		
96V.....	G47	161S.....	G24	I-624.....	G25		
97V.....	G47, G52	161U.....	G22	A625.....	G25		
99.....	G40	161V.....	G20	A626.....	G25		
99T.....	G45	162S.....	G24	C627.....	G48		
99T6.....	G44	164V.....	G20	OV633.....	G26, G48		
101V.....	G47	165N.....	G21	OV634.....	G26, G48		
102V.....	G46	165S.....	G23	A635.....	G56		
103N.....	G32	170.....	G29	D648.....	G25		
106.....	G32	172N.....	G22, G29	672.....	G29, G47, G52		
107.....	G32	172S.....	G24, G29	672N.....	G46, G51		
108N.....	G21	172V.....	G20, G29	672P.....	G29		
109N.....	G54	176.....	G54	673.....	G47		
110N.....	G21	178.....	G54	674.....	G47		
110S.....	G23	185P.....	G20	675.....	G29, G47, G52		
112N.....	G42	197N.....	G46	678.....	G47		
113N.....	G42	198N.....	G46	679.....	G47		
114.....	G54	199N.....	G46	680.....	G36		
115N.....	G51	200N.....	G46	683.....	G38		
118N.....	G42	200S.....	G46	C697.....	G49		
119N.....	G42	200SS.....	G31	D698.....	G49		
120N.....	G21	201N.....	G46	C699.....	G49		
120S.....	G23	202N.....	G46	700E.....	G27		
120SS.....	G30	203N.....	G46	700N.....	G28		
122N.....	G21	220.....	G35	700S.....	G28		
125N.....	G51	222.....	G35	700U.....	G28		
125SS.....	G30	225.....	G37	705EV.....	G27		
127N.....	G21	229SS.....	G31, G35	705V.....	G28		
127S.....	G23	254P.....	G41	706E.....	G27		
127SS.....	G30	303N.....	G34	896.....	G42		
129SS.....	G30	312V.....	G43	1000RA.....	G57		

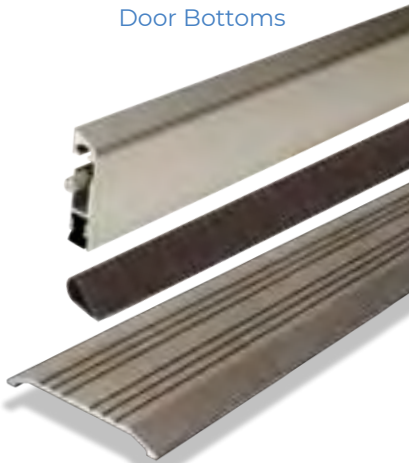
— FEATURING OUR —
PRODUCT CATEGORIES

SEALS

Thresholds

Gasketing

Door Bottoms



LITES

Lite Kits

Louvers

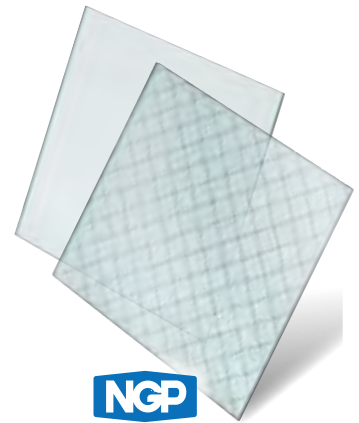


GLASS

Fire

Safety

Specialty



HINGE

Aluminum
Continuous Geared

Stainless Steel
Pin & Barrel



SLIDING

Stainless Steel Barn Door Track

Aluminum Track Systems

Steel Flat Track



GAPGUARD

Gap90

9590

9990



TECHNICAL INFORMATION

RATING SYMBOLS LEGEND



POSITIVE PRESSURE - CERTIFIED by UL to ANSI/UL10C. Complies with IBC, NFPA 80 and NFPA 252 for application to hollow metal fire doors rated up to 3 hours, and wood fire doors rated up to 90 minutes (some ratings vary as noted).



CERTIFIED by UL to CAN/ULC-S104 and ANSI/UL10B. Complies with NFPA 80 and NFPA 252 for application to hollow metal fire doors rated up to 3 hours, and wood fire doors rated up to 90 minutes (some ratings vary as noted).



NGP-EDGE® SEALING SYSTEM, CERTIFIED BY UL TO ANSI/UL10C CATEGORY 'G'. Required for Category B wood fire doors to meet positive pressure requirements complying with IBC, and NFPA 252. See individual products for maximum door size and ratings.



SMOKE & DRAFT CONTROL GASKETING, CERTIFIED BY UL TO ANSI/UL10C AND ANSI/UL 1784 CATEGORY 'H'. Complies with IBC and NFPA 105 for use on 'S' labeled positive pressure hollow metal fire doors rated up to 3 hours, and wood fire doors rated up to 90 minutes (some ratings vary as noted).



ACOUSTICAL TESTED to ASTM E90 Standard Test Method for Laboratory Measurement of Airborne Sound Transmission Loss of Building Partitions and Elements, and ASTM E2235 Standard Test Method for Determination of Decay Rates for use in Sound Insulation Test Methods.



AIR INFILTRATION TESTED to ASTM E283, Standard Test Method for Determining Rate of Air Leakage Through Exterior Windows, Curtain Walls, and Doors.



ANSI/BHMA CERTIFIED. Certified gasketing complies with American National Standard for Door Gasketing and Edge Seal Systems ANSI/BHMA A156.22, and is listed in the BHMA Certified Products Directory.



Online product listings: ul.com/database



BUY AMERICAN

REQUIREMENTS

Buy American Act

Over 99% of our products are produced in the United States as a domestic construction material, as defined in the Buy American Act (BAA) of March 1933 and amended by the Buy American Act of 1988 and FAR 52.225-9. A Buy American certificate may be obtained on our website ngp.com.

Build America, Buy America Act

Most of our products comply with Build America, Buy America Act requirements under Title IX of the Infrastructure Investment and Jobs Act (IIJA), Pub. L. 117-58, §§ 70901-70953. Contact us for a Certificate of Compliance for products being supplied on your project.

MATERIALS

Metal retainers for gasketing are Aluminum Alloy 6063, T5 or T6 temper, unless noted.

Architectural Bronze gasketing is Alloy CDA 385 (Copper Alloy No. C38500), Architectural Bronze.

Stainless steel gasketing is Type 304, known for its excellent corrosion resistance, high tensile strength and resistance to oxidation.

NGP utilizes a variety of gasketing materials including Vinyl, Neoprene, Silicone, Nylon Brush, Thermoplastic Elastomers (TPE), Thermoplastic Vulcanizates (TPV), Polypropylene Pile, Ethylene-Propylene-Diene-Monomer (EPDM), Polyurethane, and Intumescent Fire Seals. Product illustrations indicate the gasketing material. Properties of many primary gasket materials are listed on the Perimeter Seals catalog pages.

Adhesive mounted gasketing utilizes a pressure sensitive modified acrylic adhesive protected by a release liner. Once installed it provides a permanent bond in exterior or interior locations. End use temperature range is -30°F up to 250°F. Shelf life of adhesive prior to installation is one year when stored at 75°F and 50% relative humidity or less.

GASKETING FINISHES

Material	Finish	ANSI/BHMA Finish	US Finish	NGP Suffix
Aluminum:	Mill Finish	ANSI/BHMA 719	US27	None
	Anodized Aluminum	ANSI/BHMA 628	US28	A
	Dark Bronze/Black Anodized	ANSI/BHMA 711	US19	DKB
	Polished	ANSI/BHMA 717		POL
Stainless Steel:	Brushed (#4)	ANSI/BHMA 630	US32D	None
Gasket Materials:	Neoprene is Black			N
	Polyurethane is Black			U
	Vinyl is Black, except where noted as Gray			V
	Silicone colors: Black, Brown, Clear, White			S
	Thermoplastic is Brown			T, T6
	Nylon Brush colors: Black, Gray			
	TPE colors: Brown, Charcoal, Clear, White			
	Polypropylene Pile is Gray EPDM is Black			

UNDERSTANDING SOUND TRANSMISSION CLASS



The Sound Transmission Class (STC) is a single-number rating of the ability of a material or an assembly to resist airborne sound transfer at the frequencies 125-4000 Hz. In general, a door system with a higher STC rating blocks more noise from transmitting through an opening.



VERY POOR
LOW SPEECH
AUDIBLE



POOR
NORMAL SPEECH
UNDERSTOOD EASILY
AND DISTINCTLY



FAIR
LOUD SPEECH
UNDERSTOOD
FAIRLY WELL



GOOD
LOUD SPEECH
HEARD BUT HARDLY
INTELLIGIBLE



VERY GOOD
LOUD SPEECH
HEARD FAINTLY



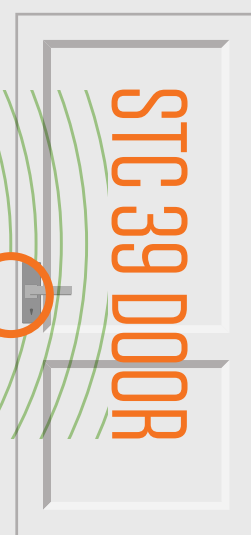
EXCELLENT
LOUD SOUNDS
HEARD FAINTLY
OR NOT AT ALL

SOURCE ROOM

80dB



SOUND PRESSURE LEVEL 80 DB



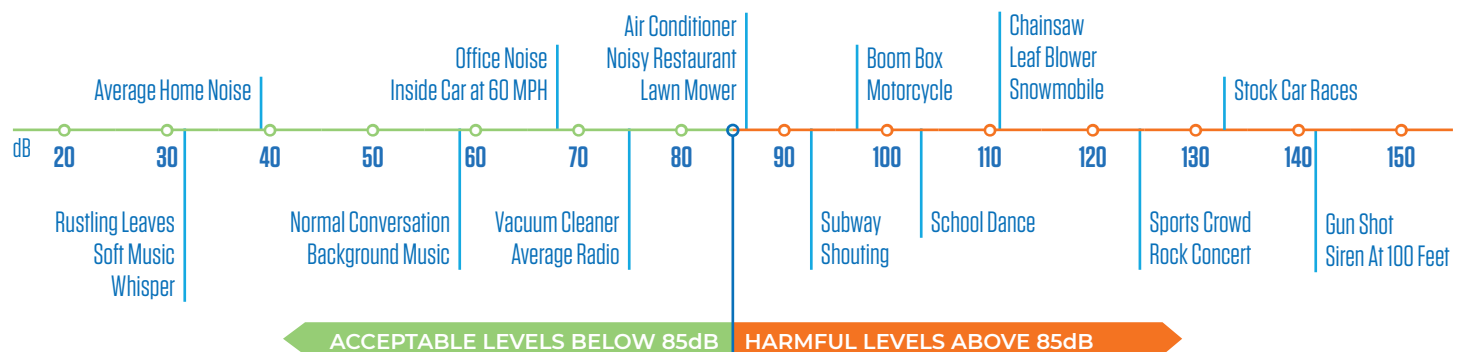
RECEIVING ROOM

41dB



SOUND PRESSURE LEVEL 41 DB

NOISE LEVELS

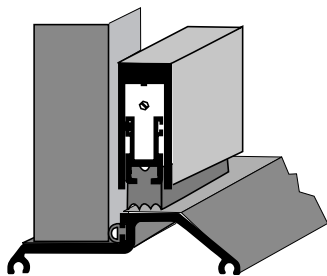


No matter what the STC door rating may be, it cannot perform without the proper STC Gasketing. Sound leaks from the perimeter of the door just like a draft of air.

SOUND TRANSMISSION CLASS (STC) RATED SINGLE DOOR ASSEMBLIES

The chart below indicates the STC Rating of specially made acoustic doors using various applications of gasketing. The first column is the rating of the door panel only, tested in a static inoperable condition to determine the sound transmission through the door. The second column is the rating of the operable door installed with hardware and gasketing which provides the STC Rating of the door assembly.

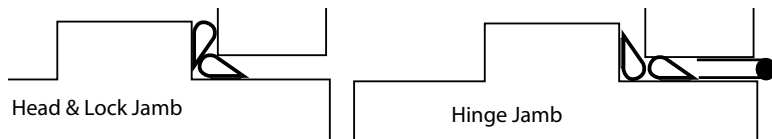
Acoustical testing to ASTM E90 Standard Test Method for Measurement of Airborne Sound Transmission Loss of Building Partitions and Elements, ASTM E2235 Standard Test Method for Determination of Decay Rates for use in Sound Insulation Test Methods, and ASTM E1332 Standard Classification for Rating Outdoor - Indoor Sound Attenuation. The Sound Transmission Class (STC) was calculated in accordance with ASTM E413 Classification for Rating Sound Insulation.



897N x 420N

STC Rating Static Door Panel	STC Rating Operable Door w/ Gasketing	Perimeter Seals	Door Bottom	Threshold
30	30	103N, 107N, 120N, 122N 127N, 133N, 134N, 137N 137S, 303N, 700N, 700S	420N	897N
30	30	130S	225S	896S
30	30	107S	220S	950S
33	31	5020	222S	513
35	33	5020	222S	513
36	33	5050	335N	513
35	34	5020, 5075	222S	513
35	35	5070, 9750	335S	896S
40	37	5020	222S	513
40	37	5075	12T	513
40	37	103N, 107N, 303N	420N	897N
40	38	•(2) 5050	335N	896S
40	39	120N, 134N, 137N, 137S, 700N, 700S	420N	897N
40	39	107S	220S	950S
44	39	1038N, 3038N	423N	896S
43	39	•(2) 5050	420N	412
42	40	•(2) 5050	Mortise 312V	896S
43	40	•(2) 5050	423N	896S
47	41	103NFS	423N	897N
45	42	•(2) 5050	335N	896S
47	43	•(2) 5050	423N	896S
50	43	103N, 134N	420N	897N
50	43	107S	220S	950S
51	43	159M	420N	897N
48	44	•(2) 5050	423N	896S
49	44	103NFS	423N	8434S
52	44	107N, 1038N, 3038N	420N	897N

• Indicates Two Rows of 5050 Installed as Follows:



STC SEAL SETS

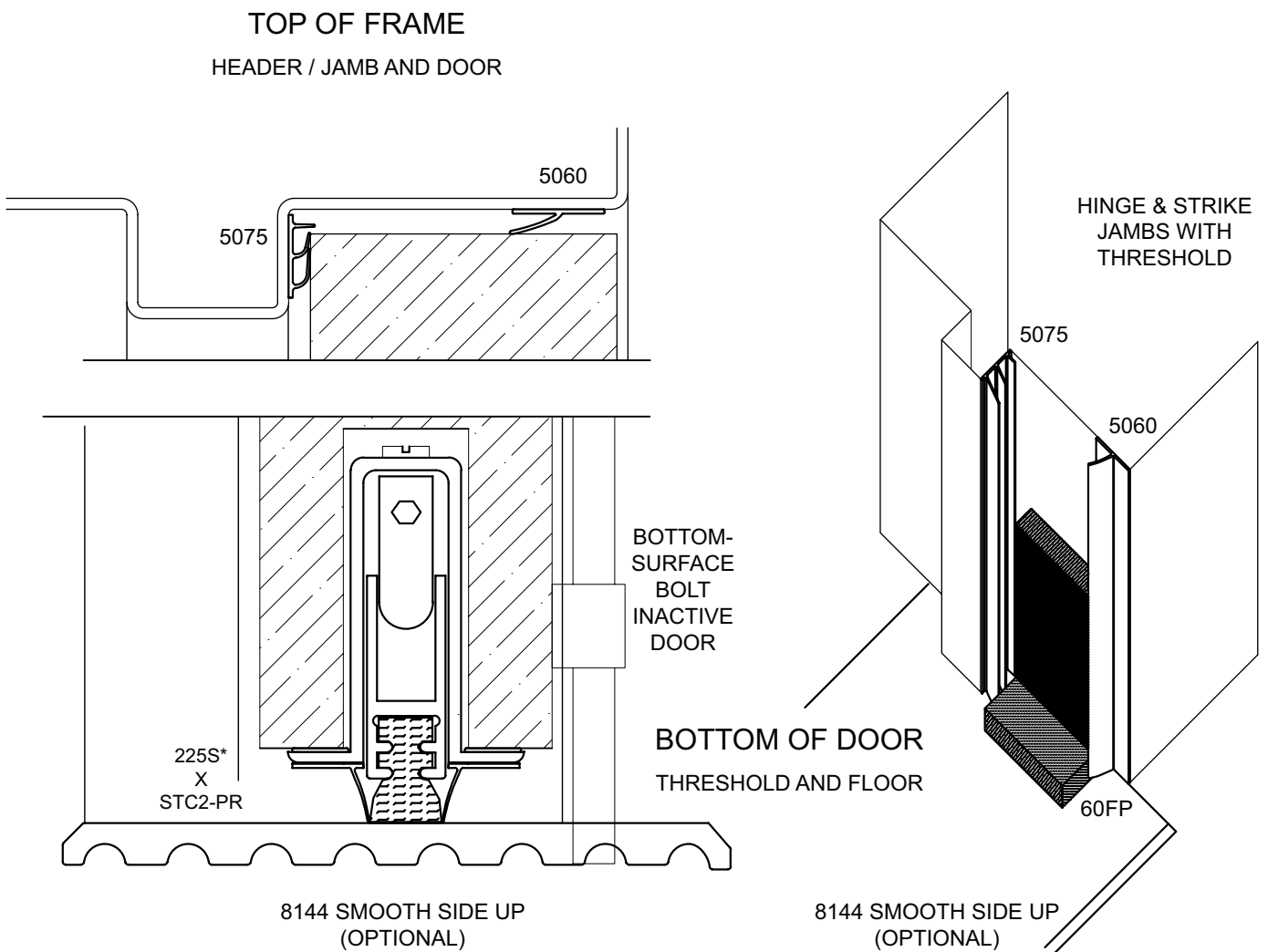
SINGLE DOORS

NGP Seal Sets maintain the static door panel STC with NO DROP OFF in an operable condition, up to the STC Rating indicated.

STC Seal Set	STC Rating	Perimeter Seals at Heads & Jambs	Door Bottom	Corner Pads	Threshold
1	33	5050 & 2525	312V X 131N	60FP (2 req.)	8144S*
2	45	5075 & 5060	312V X 131N	60FP (2 req.)	8144S*
3	52	5075 & 5060	12T6 X STC-FH	60FP (2 req.)	8144S*
4	52	5075 & 5060	225S X STC2	60FP (2 req.)	8144S*
5	52	5075 & 5060	None	None	896S-ADJ

STC Seal Set 4 Illustration

*optional



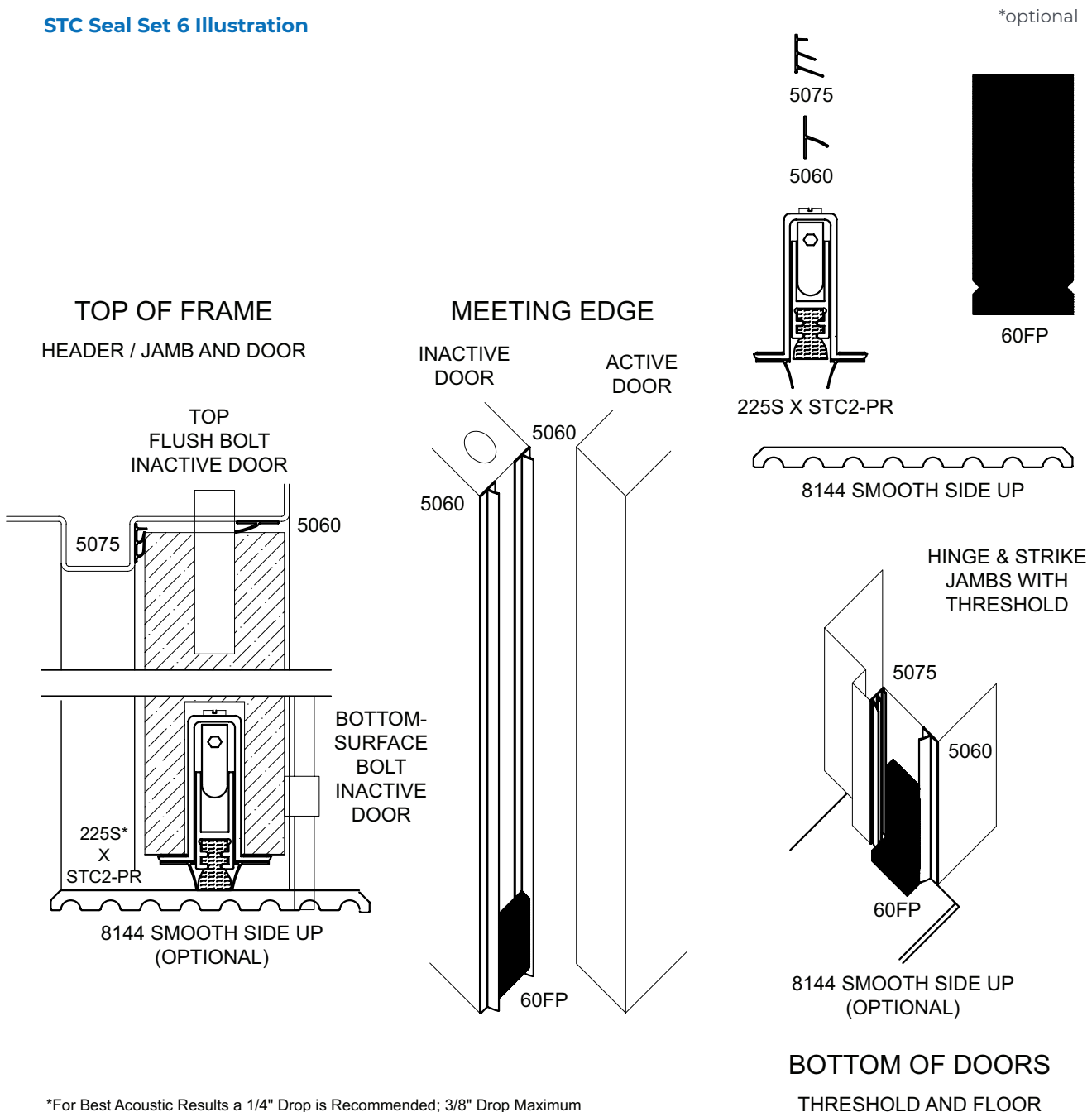
*For Best Acoustic Results a 1/4" Drop is Recommended; 3/8" Drop Maximum

STC SEAL SETS

PAIRS OF DOORS

STC Seal Set	STC Rating	Perimeter Seals at Heads & Jambs	Door Bottom	Corner Pads	Meeting Edge Seals	Threshold
6	45	5075 & 5060	225S X STC2-PR	60FP (3 req.)	5060 (2 req.)	8144S*
7	45	5075 & 5060	12T6 X STC-FH	60FP (3 req.)	5060 (2 req.)	8144S*

STC Seal Set 6 Illustration



SOUND TRANSMISSION CLASS (STC) RATED PAIRS OF DOORS

SOUND TRANSMISSION CLASS (STC) RATED PAIRS OF DOORS

Pairs of doors are intrinsically more difficult to control sound transmission through. Sealing the gap between the meeting edges under the doors is challenging, requiring a combination of properly coordinated and installed gasketing to seal all gaps.

STC Rating Static Door Panel	STC Rating Operable Door w/ Gasketing	Perimeter Seals	Door Bottom	Threshold	Astragal
35	35	5020		896S	5070
35	35	5070		896S	5070
35	34	5020	222S	512	5070
35	33	5020		896S	5070

STANDARD DOORS WITHOUT SPECIAL ACOUSTIC CORES

Solid core wood doors with gasketing test to an STC Rating of approximately 28 to 30. Mineral core wood doors and Honeycomb core hollow metal doors with gasketing test to an STC Rating of approximately 32 to 36. Without gasketing these doors have no sound control and test to an STC Rating between 15 and 20.

To most effectively reduce sound transmission and maximize the acoustic performance we recommend the following be used:

PERIMETER AND DOOR BOTTOMS

- 107S** Perimeter Seal
- 700S** Seal at Head if a Parallel Arm Closer is Used
- 220S** Automatic Door Bottom
(To Allow the Automatic Door Bottom to Properly Seal, Please Add a Threshold.)

MEETING EDGE OF PAIRS

- 109N** Overlapping Astragal
- 5070** Adhesive Astragal
- 115N** Astragal Set

SCHOOL CLASSROOM DOOR STC REQUIREMENTS

ANSI/ASA S12.60 Acoustical Performance Criteria, Design Requirements, and Guidelines for schools requires interior doors opening into core learning spaces to achieve STC 30 or greater in their operable condition and interior doors into music rooms at least STC 40.

**INTENTIONALLY
BLANK**

The following interprets ANSI/BHMA numbers which identify type and function of products. For products that meet ANSI/BHMA Standards, look for the BHMA certified logo next to the product in our catalog. For a complete listing, refer to the BHMA Certified Products Directory, available online at buildershardware.com

ANSI/BHMA A156.22

AMERICAN NATIONAL STANDARD FOR DOOR GASKETING AND EDGE SEAL SYSTEMS

1 Product Section	2 Material Description	3 Gasketing Type Desc	4 Product Type Description	5 Gasketing Location Description	6 Gasketing Rating Description	
"R" designates Gasketing	1. Brass or Bronze 3. Aluminum 5. Stainless Steel 0. Optional Material or None Used	A. Brush B. Neoprene, Solid C. Neoprene, Expanded, Closed Cell D. Vinyl E. Silicone Rubber F. Pile G. Thermoplastic Elastomer (TPE) H. Thermoplastic Urethane (TPU) J. Thermoplastic Rubber K. Spring Metal L. Magnetic M. Felt N. Rubber Fabric P. Intumescent Q. Intumescent/Brush R. Intumescent/Neoprene, Solid	S. Intumescent/Neoprene, Expanded, Closed Cell T. Intumescent/Vinyl U. Intumescent/Silicone Rubber V. Intumescent/ Pile W. Intumescent/ Thermoplastic Elastomer (TPE) X. Intumescent/ Thermoplastic Urethane (TPU) Y. Optional Material or None Used Z. Intumescent/ Thermoplastic Rubber	1. Head & Jamb 2. Head & Jamb, Adjustable 3. Automatic Door Bottom 4. Door Sweep or Shoe 5. Door Sweep or Shoe with Drip Cap 6. Astragal, Overlapping 7. Astragal, Split or Compensating 8. Astragal, Adjustable 9. Rain Drip Without Gasket 10. Fire Glazing Tape 0. Other	1. Door Edge 2. Door Edge, Mortise 3. Door Face 4. Door Face, Semi-Mortise 5. Frame Rabbet (Surface or Mortise) 6. Frame Soffit (H.M.) 7. Frame Face 8. Kerf 9. Stop (H.M.), Stop Face (WD) 0. Other	1. Smoke/Energy Performance Rated 4. Smoke Rated 5. Energy Performance Rated 6. Not Rated

Grade Performance (Optional field separate from ANSI Number)

- 1 Grade 1
- 2 Grade 2
- 3 Grade 3

INTERNATIONAL BUILDING CODE (IBC)

The International Building Code (IBC) requires swinging fire doors to be tested in accordance with ANSI/UL 10C or NFPA 252, with the neutral pressure level established at 40 inches or less above the sill. This causes “positive pressure” forces against the door assembly above 40 inches.

The result is hot gases and smoke leak out between the door and frame above this level, posing a serious threat to life and safety; and on wood doors rapidly deteriorating the integrity of the door edges, requiring either a built-in or supplemental “edge sealing system” to pass the test.

Fire door assemblies in corridors and smoke barrier walls are required to be smoke and draft control assemblies tested in accordance with UL1784 allowing a maximum air leakage of 3 cubic feet per minute per square foot of door opening at ambient temperature (75°F) and elevated temperature (400°F). These assemblies require the letter “S” on the fire rating label of the door indicating compliance “when listed or labeled gasketing is also installed.”

Fire doors are classified into category A or B based upon their construction and edge sealing system requirements. Fire-rated gasketing is classified as follows:



Category G - Edge Sealing Systems



Category H - Smoke and Draft Control Gasketing



Category J - Gaskets other than Category G or H.

Category A Classified Fire Doors

Hollow Metal Fire-Rated Doors
Wood Fire-Rated Doors constructed with edge seals built-in during the manufacturing process.

Require Category H – Smoke and Draft Control Gasketing at **perimeter** and at **meeting edge of pairs** of “S” label doors in corridor locations or smoke barrier walls.

Require Category H – Smoke and Draft Control **door bottom seals** on “S” label doors where pressurization is provided to restrict smoke movement (typically controlled by HVAC system).

The following products are recommended UL Classified Category H for wood doors - 90 min. max., hollow metal doors - 3 hour max.



Perimeter: 2525, 5020, 5040, 5050, 5070, 5075



Meeting edge of pairs: 115N, 125N, 137N, 137S, 5070, 9115, 9125, 9600, 9605

Category B Classified Fire Doors

Wood Fire-Rated Doors that require the addition of a Category G classified edge sealing system in the field.

Require Category G – Edge Sealing System, at **perimeter** and at **meeting edge of pairs**.

Require Category H – Smoke and Draft Control Gasketing at **perimeter** and at **meeting edge of pairs** of “S” label doors in corridor locations or smoke barrier walls.

Require Category H – Smoke and Draft Control **door bottom seals** on “S” label doors where pressurization is provided to restrict smoke movement (typically controlled by HVAC system).

The following products are recommended UL Classified for both category G and H:



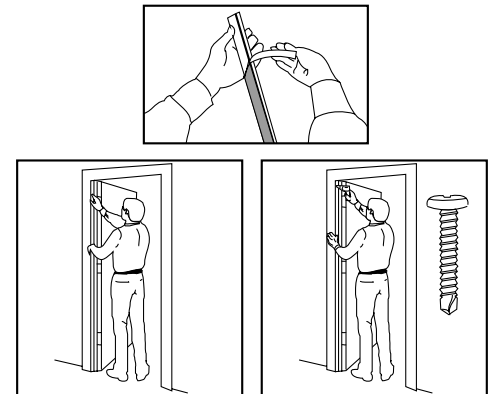
Perimeter 20 minute: 5050
Perimeter 45, 60, 90 minute: 9750

SELF-ADHESIVE GASKETING

FATT

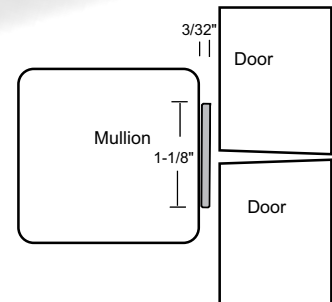
FAST ATTACH TWO-WAY TAPE

- ▶ Fast Attach Two-Way Tape Provides an Easy and Effective Alternative for Gasketing Installation. Two-Way Tape is Applied to the Metal Housing Insuring a Quick and Easy Installation. Then for Security, 3 Tek-type Self-Drilling Screws are Provided to Further Secure Each Piece of Material to the Frame Stop. A No-Problem Installation With No Holes to Drill.
- ▶ To Order Add Suffix "FATT" to Product Number. See Price List for Products Available With this Feature.
- ▶ FATT IS NOT CLASSIFIED FOR USE ON FIRE DOORS.



SEAL FOR MULLION APPLICATIONS

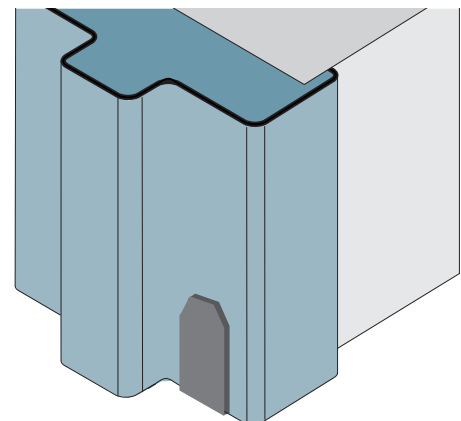
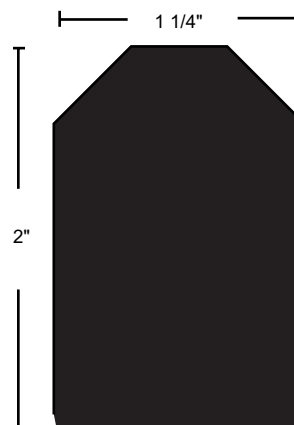
- ▶ Closed Cell Silicone Sponge Strip
1 1/8" Wide x 3/32" Thick With an Adhesive Strip for Mounting Directly to the Face of the Mullion That Doors Close Against
- ▶ Available in 86" and 96" Lengths
- ▶ Self-Adhesive: See Adhesive Specifications on Page G16



5100N Black Silicone

CORNER PAD

- ▶ Helps Acoustics and Seals Corner Gap for Air Leakage Control. Apply to Jamb on Hinge Side, Opposite Bottom Corner of Door Edge.
- ▶ Self-Adhesive: See Adhesive Specifications on Page G16





54CP Black Polypropylene Pile

SELF-ADHESIVE SILICONE GASKETING

SILICONE BULB FIRE AND SMOKE SEAL

- BHMA Certified to ANSI/BHMA A156.22 Performance Tests for Heat, Cold, Adhesive and Energy Performance

 **Edge Sealing System - Category G for 20 Minute Rated Category B Wood Doors Perimeter Application Up To:**
 Single Swing 4'0 X 8'0
 Pairs 8'0 X 8'0
 Use 9800 at the Meeting Edge of Pairs

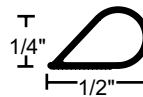
 Smoke and Draft Control - Category H
 Up To 3 hours Hollow Metal Fire Doors
 Up To 90 Minutes Wood Fire Doors



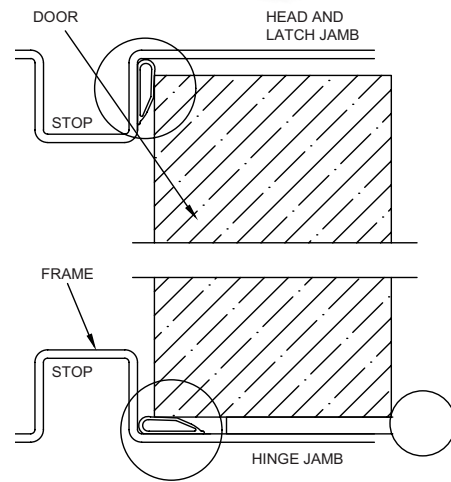
Meets Requirements of RoHS Directive
 See Adhesive Specifications on Page G16

5050B	Brown
5050C	Charcoal
5050W	White
5050CL	Clear

Available in 17', 20', 21', 25' and 300'* Rolls
 *Clear Not Available in 300' Rolls



Pictured:
5050B
 (Brown)



ANTI-LIGATURE SILICONE BULB FIRE AND SMOKE SEAL

- Anti-Ligature Feature has Serrations Every 8" Designed to Break Apart Preventing it From Being Used to Hang or Strangle.
- Applications Include Psychiatric Facilities, Prisons and Other Treatment Facilities.
- Installs as a Continuous Length Providing the Same Sealing Properties for Light, Sound, Air and Smoke as Our Original 5050.
- BHMA Certified to ANSI/BHMA A156.22 Performance Tests for Heat, Cold, Adhesive and Energy Performance

ANTI-LIG 5050C	Charcoal
-----------------------	----------

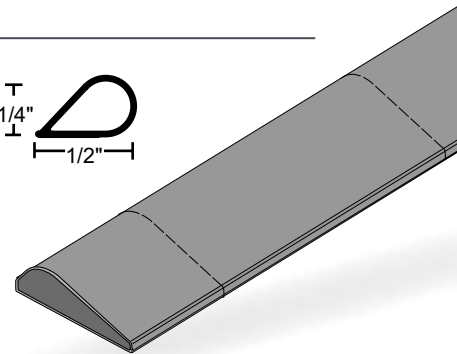
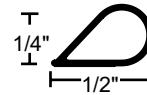
Available in 17' and 300' Rolls

 **Edge Sealing System - Category G for 20 Minute Rated Category B Wood Doors Perimeter Application Up To:**
 Single Swing 4'0 X 8'0
 Pairs 8'0 X 8'0
 Use 9800 at the Meeting Edge of Pairs

 Smoke and Draft Control - Category H Up To 3 Hours Hollow Metal Fire Doors Up To 90 Minutes Wood Fire Doors



Meets Requirements of RoHS Directive
 See Adhesive Specifications on Page G16



SELF-ADHESIVE SILICONE GASKETING

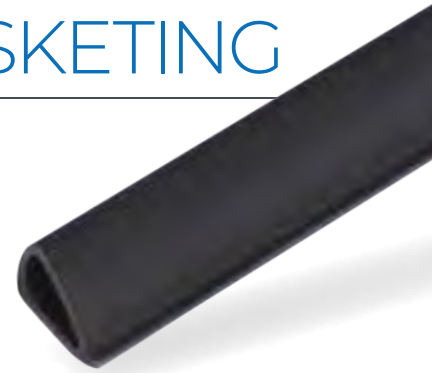
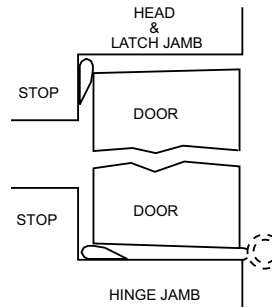
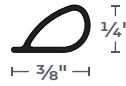
SILICONE BULB SMOKE SEAL

- ▶ BHMA Certified to ANSI/BHMA A156.22 Performance Tests for Heat, Cold, Adhesive and Energy Performance

Available in 17', 20', 21', 25', 300' Rolls



2525C Charcoal



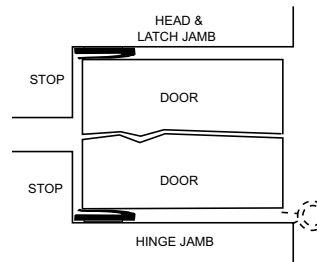
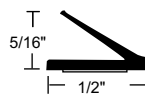
SILICONE FIN SMOKE SEAL

- ▶ BHMA Certified to ANSI/BHMA A156.22 Performance Tests for Heat, Cold, Adhesive and Energy Performance

Available in 17', 20', 21', 25', 300' Rolls



5040C Charcoal



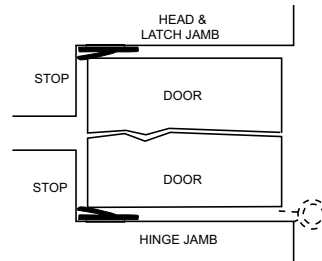
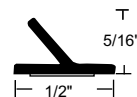
SILICONE FIN SMOKE SEAL

- ▶ BHMA Certified to ANSI/BHMA A156.22 Performance Tests for Heat, Cold, Adhesive and Energy Performance

Available in 17', 20' and 21' Rolls



5060C Charcoal



ADHESIVE SPECIFICATIONS

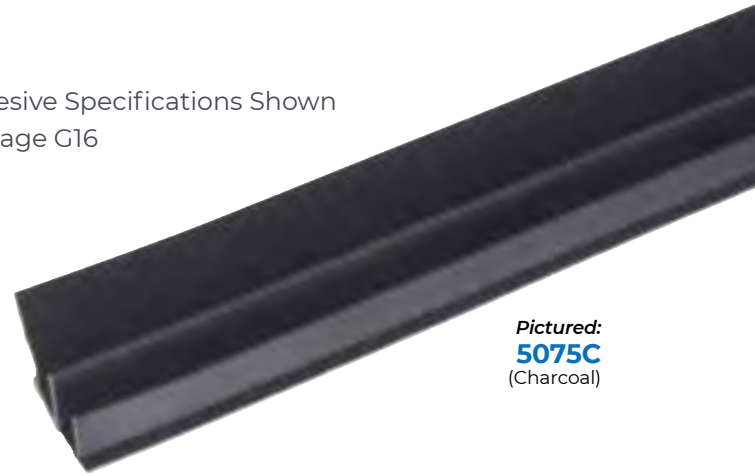
Modified acrylic pressure sensitive adhesive protected by release liner. Provides high initial adhesion and long-term holding power for permanent mounting in exterior or interior locations. Resistant to aging, weathering, UV radiation, water, detergent, alcohol and the influence of chemicals. End use temperature range, long term exposure -30°F up to 250°F. Shelf life of adhesive prior to installation is one year when stored at 75°F and 50% relative humidity or less.

SELF-ADHESIVE SILICONE GASKETING

PROPERTIES:

- Self-Adhesive Silicone Rubber
- Good Abrasion Resistance
- BHMA Certified to ANSI/BHMA A156.22 Performance Tests for Heat, Cold, Adhesive and Energy Performance

Adhesive Specifications Shown on Page G16



Pictured:
5075C
(Charcoal)

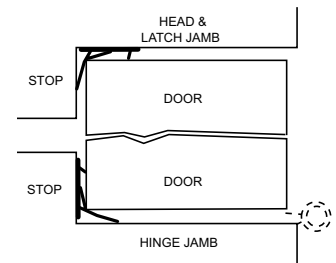
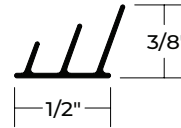
FLEXIBLE TRIPLE FIN SMOKE SEAL

Available in 17', 20', 21', 25" and 300' Rolls

*White Only Available in 17' Rolls



5075C	Charcoal
5075CL	Clear
5075W	White*



SILICONE DOUBLE SHARK FIN SMOKE SEAL

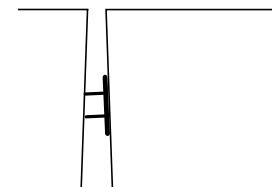
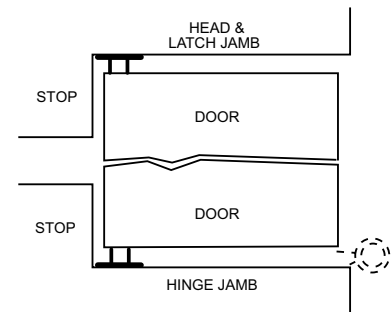
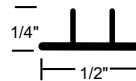
Smoke-Rated for Perimeter and/or Meeting Edge

Astragal Applications

Available in 4', 7', 8' and 9' Lengths



5070B	Brown
5070CL	Clear

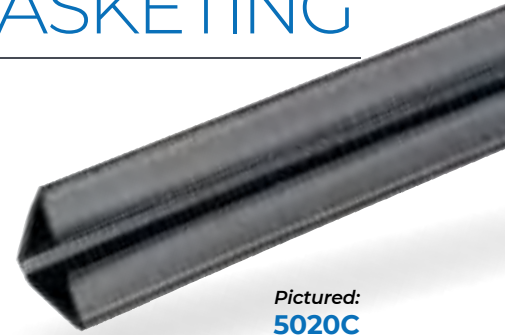


Astragal Application
Pair of Doors

SELF-ADHESIVE SILICONE GASKETING

PROPERTIES:

- ▶ Self-Adhesive Silicone Rubber
- ▶ Good Abrasion Resistance
- ▶ Moisture-Resistant
- ▶ BHMA Certified to ANSI/BHMA A156.22 Performance Tests for Heat, Cold, Adhesive and Energy Performance
- ▶ Flame-Resistant
- ▶ REACH and RoHS Compliant
- ▶ Adhesive Specifications Shown on Page G16



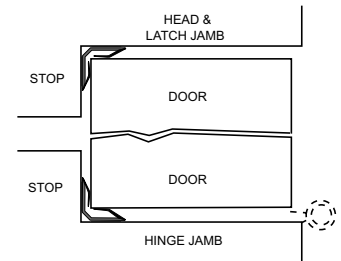
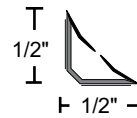
Pictured:
5020C
(Charcoal)

SILICONE BATWING SMOKE SEAL

Available in 3', 4', 7', 8' and 9' Lengths



5020C	Charcoal
5020CL	Clear



NGP-EDGE® SEALING SYSTEM

CATEGORY G AND H CLASSIFIED SMOKE & DRAFT CONTROL

INTUMESCENT WITH FLEXIBLE ELASTOMERIC BULB FIRE AND SMOKE SEAL

ESS 20, 45, 60, 90 Minute Rated Category B Wood Doors Perimeter
Application Up To:
Single Swing 4'0" X 9'0"
Pairs 8'0" X 9'0"

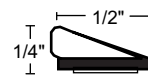
1/8" Clearance Required Between Door and Frame

Available in 36", 48", 84", 96" and 108" Lengths

Self-Adhesive: See Adhesive Specifications on Page G16



Pictured:
9750C
(Charcoal)



9750C Charcoal

NGP-EDGE® SEALING SYSTEM

CATEGORY G CLASSIFIED

NGP Intumescent materials are formulated to expand at 375°F to 400°F up to 8-10 times their original thickness; completely sealing the gap around and between doors during a fire.

INTUMESCENT FIRE SEAL

Perimeter Application:



20, 45, 60, 90 Minute Rated Category B Wood Doors Up To:

Single Swing 4'0 X 9'0
Pairs 8'0 X 9'0

Meeting Edge Application Up To 8'0 X 9'0 Pairs of Category B Wood Doors:



20 Minute Rated with Single Strip Installed

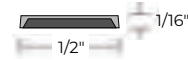


45, 60 Minute Rated with Two Strips Installed

Intumescent With Protective Skin

Sold by the Foot: 3' Minimum to 490' Reel

Self-Adhesive: See Adhesive Specifications on Page G16



Pictured:
9800C
(Charcoal)



9800GR Gray

9800C Charcoal

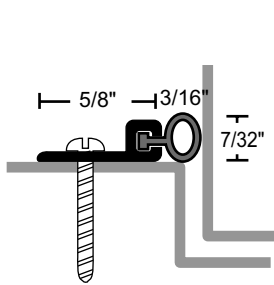
VINYL SEALS

All Vinyl Seals This Section:

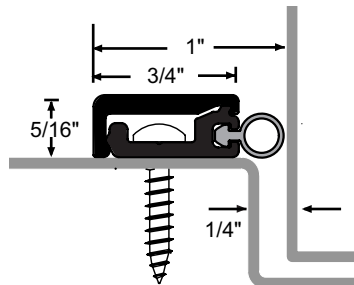


- Thermo-Plastic Vulcanizate (TPV)
- Economical
- Flame-Resistant
- Moisture-Resistant
- Temperature Range -40°F to 250°F
- #6 x 3/4" Stainless Steel Sheet Metal Screws Furnished
- Screw Holes Slotted for Adjustment
- Vinyl is Black

160VA
Anodized Aluminum
Vinyl Perimeter
Seal

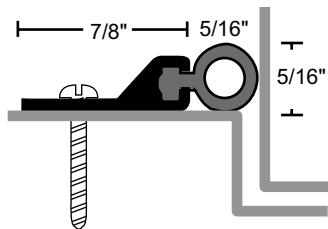


155V
155VDKB



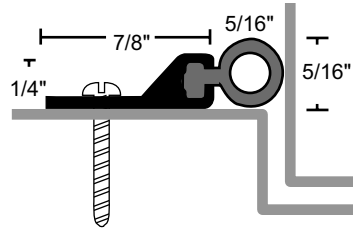
172VA
172VDKB

PRODUCT#	SUFFIX	FINISH
	A	Anodized Aluminum
	DKB	Dark Bronze / Black Anodized
	None	Mill Aluminum
		<i>Vinyl is Black</i>
		<i>-GR = Gray Vinyl</i>



161V
161VDKB

.07 Aluminum for Military Specs



152V
152VA
152VDKB
156V
156VDKB

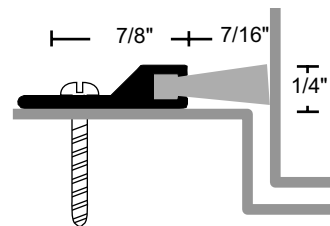
160V
160V-GR
160VA
160VA-GR
160VDKB
160VDKB-GR

164V
164VA
164VDKB

POLYPROPYLENE PILE SEALS

- Temperature Range 32°F to 275°F
- Pile is Gray

185P
185PA
185PDKB



NEOPRENE SPONGE SEALS

All Products on This Page:



- ◆ Synthetic EPDM Rubber in Polypropylene Thermoplastic Matrix Closed Cell Advanced Elastomeric Foam
- ◆ Very Good Abrasion Resistance, Tensile Strength and Memory
- ◆ Flame-Resistant
- ◆ Moisture-Resistant
- ◆ Temperature Range -81°F to 275°F
- ◆ Good Resistance to Ozone, Sunlight and Aging
- ◆ BHMA Certified to ANSI/BHMA A156.22 Performance Tests for Heat and Cold
- ◆ #6 x 3/4" Stainless Steel Sheet Metal Screws Furnished
- ◆ Screw Holes Slotted for Adjustment
- ◆ Patent Pending Microcellular EPDM

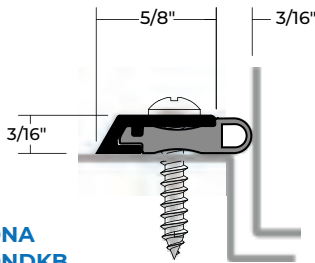
108NA

Anodized Aluminum
Neoprene Sponge
Seal



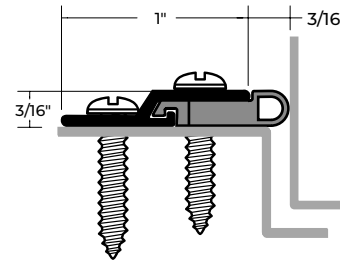
PRODUCT#	SUFFIX	FINISH
A		Anodized Aluminum
DKB		Dark Bronze / Black Anodized

Neoprene is Black



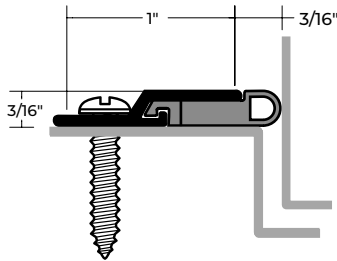
110NA
110NDKB

Patent Pending



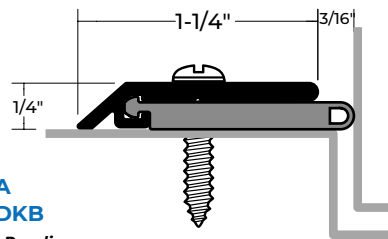
120NA
120NDKB

Patent Pending



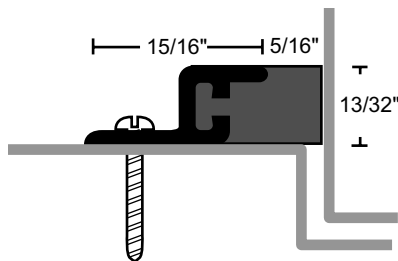
127NA
127NDKB

Patent Pending

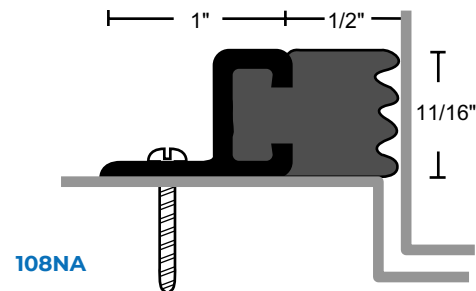


130NA
130NDKB

Patent Pending



122NA
122NDKB
133NA
133NDKB
165NA
165NDKB



108NA

NEOPRENE BULB SEALS

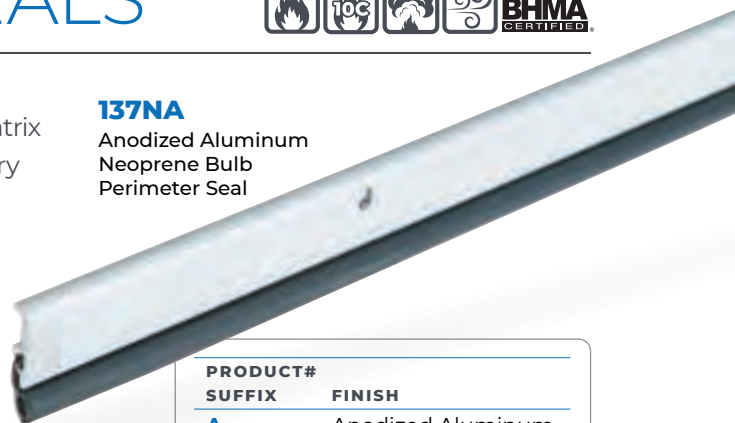
All Neoprene Seals This Section:



- ▶ Synthetic EPDM Rubber in Polypropylene Thermoplastic Matrix
- ▶ Very Good Abrasion Resistance, Tensile Strength and Memory
- ▶ Flame-Resistant
- ▶ Moisture-Resistant
- ▶ Temperature Range -81°F to 275°F
- ▶ Good Resistance to Ozone, Sunlight and Aging
- ▶ BHMA Certified to ANSI/BHMA A156.22 Performance Tests for Heat and Cold
- ▶ #6 x 3/4" Stainless Steel Sheet Metal Screws Furnished
- ▶ Screw Holes Slotted for Adjustment

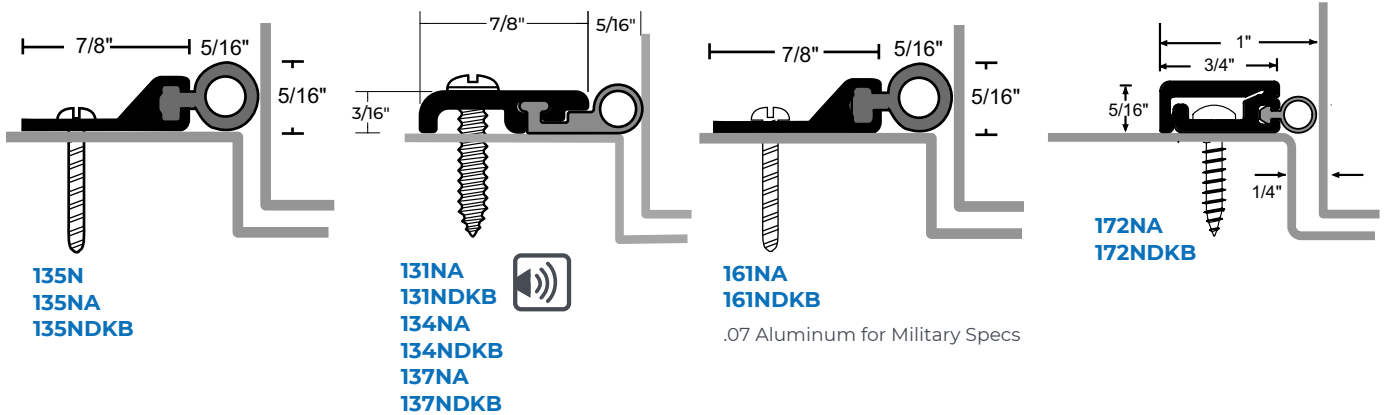
137NA

Anodized Aluminum
Neoprene Bulb
Perimeter Seal



PRODUCT#	
SUFFIX	FINISH
A	Anodized Aluminum
DKB	Dark Bronze / Black Anodized
None	Mill Aluminum

*Neoprene is Black
Polyurethane is Black*

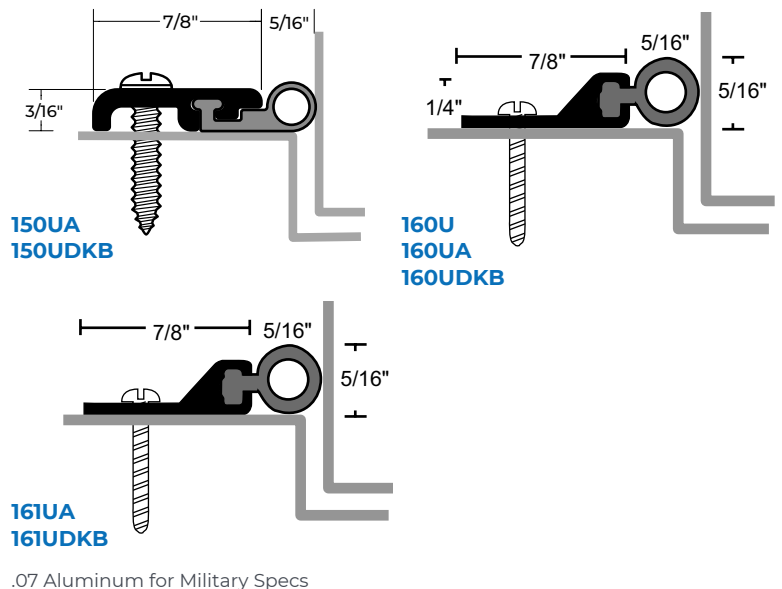


POLYURETHANE SEALS

All Polyurethane Seals this Section:



- ▶ Very Good Abrasion Resistance, Tensile Strength, Memory and UV Resistance
- ▶ Flame-Resistant
- ▶ Moisture-Resistant
- ▶ Temperature Range -76°F to 275°F
- ▶ #6 x 3/4" Stainless Steel Sheet Metal Screws Furnished
- ▶ Screw Holes Slotted for Adjustment



SILICONE SEALS

All Products on This Page:



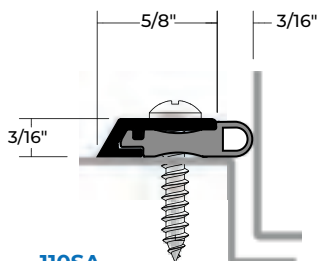
- ▶ Synthetic Rubber Polymer: Closed Cell Sponge
- ▶ Excellent Flexibility and Memory
- ▶ Flame-Resistant
- ▶ Moisture-Resistant
- ▶ Temperature Range -81°F to 300°F, Remains Flexible at Extreme Temperatures
- ▶ Excellent Resistance to Ozone, UV and Aging
- ▶ Recommended for Areas Using FM200 or Halon Fire Suppression Systems
- ▶ BHMA Certified to ANSI/BHMA A156.22 Performance Tests for Heat and Cold
- ▶ #6 x 3/4" Stainless Steel Sheet Metal Screws Furnished
- ▶ Screw Holes Slotted for Adjustment
- ▶ Patent Pending Microcellular Silicone

110SA
Anodized Aluminum
Silicone Sponge Seal

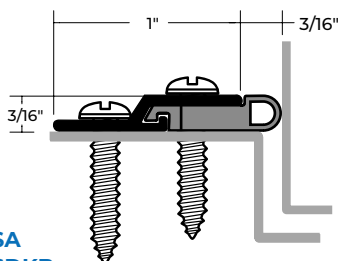


PRODUCT# SUFFIX	FINISH
A	Anodized Aluminum
DKB	Dark Bronze / Black Anodized
None	Mill Aluminum

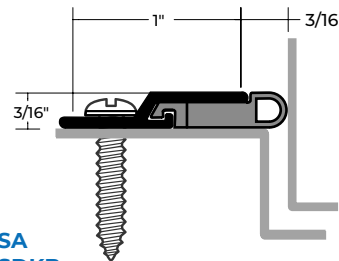
Silicone Sponge is Black



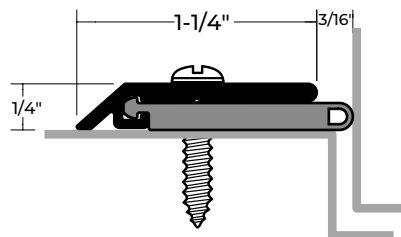
110SA
110SDKB
Patent Pending



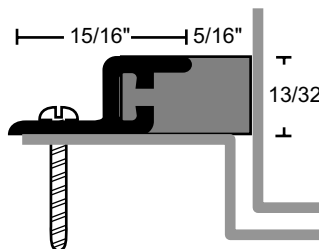
120SA
120SDKB
Patent Pending



127SA
127SDKB
Patent Pending



130SA
130SDKB
Patent Pending



165SA
165SDKB

SILICONE SEALS

All Silicone Seals This Section:



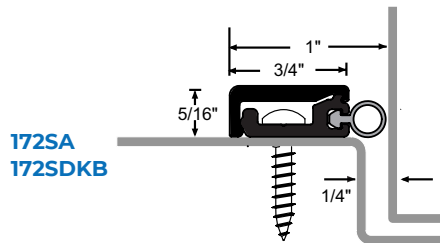
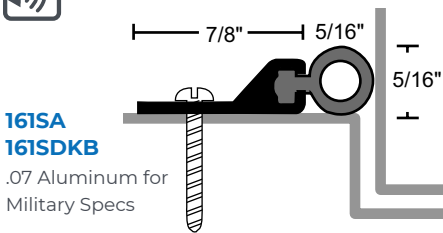
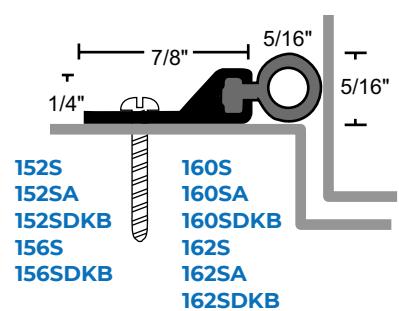
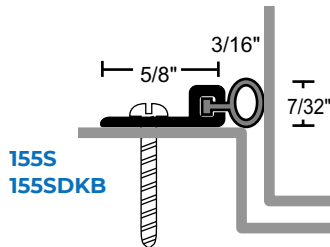
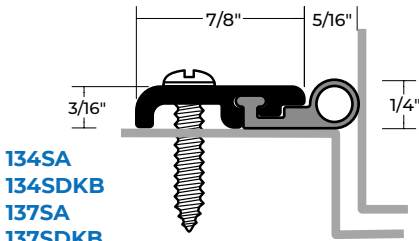
- ▶ Synthetic Rubber Polymer
- ▶ Excellent Flexibility and Memory
- ▶ Flame-Resistant
- ▶ Moisture-Resistant
- ▶ Temperature Range -81°F to 300°F, Remains Flexible at Extreme Temperatures
- ▶ Excellent Resistance to Ozone, UV and Aging
- ▶ Recommended for Areas Using FM200 or Halon Fire Suppression Systems
- ▶ BHMA Certified to ANSI/BHMA A156.22 Performance Tests for Heat and Cold
- ▶ #6 x 3/4" Stainless Steel Sheet Metal Screws Furnished
- ▶ Screw Holes Slotted for Adjustment

137SA
Anodized Aluminum
Silicone Dense Bulb
Perimeter Seal



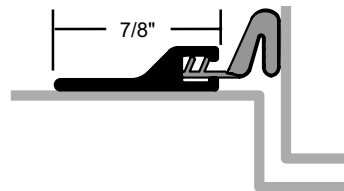
PRODUCT# SUFFIX	FINISH
A	Anodized Aluminum
DKB	Dark Bronze / Black Anodized
None	Mill Aluminum

Dense Silicone is Black



FOAM SEALS

- ▶ Seamless Compression Seals Are Nearly 100% Closed Cell to Prevent Water From Penetrating Foam Cell Structure
- ▶ Extruded Skin Provides a Unique UV Resistant Barrier With Design Features that Enhance the Weather Strip's Sealing Performance
- ▶ Compression: Recommended = 25% Minimum = 10% Maximum = 50%
- ▶ Achieves AAMA 702 Class "A" Extra High Performance Certification



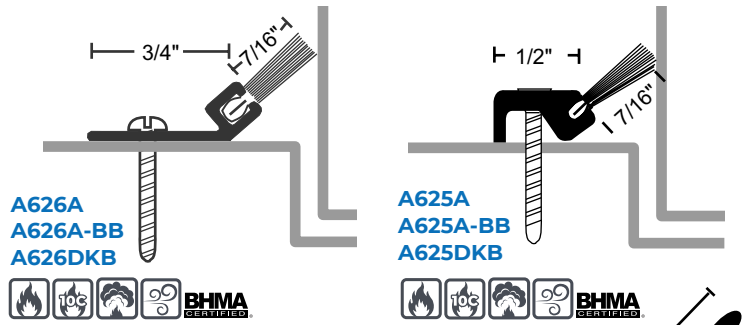
PRODUCT#	INSERT	FINISH
384B	Brown	Mill
384BA	Brown	Anodized
384BDKB	Brown	D. Bronze

NYLON BRUSH SEALS

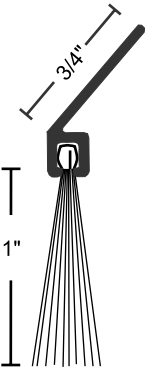
- ▶ Synthetic Polymer: Polyamide
- ▶ Excellent Abrasion Resistance, Flexibility and Memory
- ▶ Moisture-Resistant
- ▶ Retains Insecticides Well
- ▶ Temperature Range -70°F to 425°F
- ▶ BHMA Certified to ANSI/BHMA A156.22 Performance Tests for Heat and Cold, in Most Common Profiles as Indicated by BHMA Certified Symbol
- ▶ REACH and RoHS Compliant
- ▶ Not Effective Against Water Penetration
- ▶ #6 x 3/4" Stainless Steel Sheet Metal Screws Furnished
- ▶ Screw Holes Slotted for Adjustment

PRODUCT# SUFFIX	INSERT	FINISH
A	Gray Brush*	Anodized Aluminum
DKB	Black Brush	Dark Bronze / Black Anodized
None	Gray Brush*	Mill Aluminum

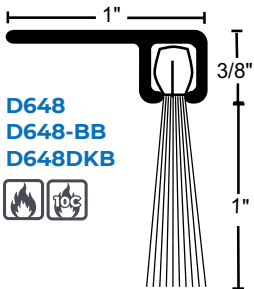
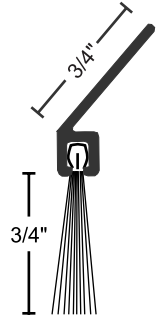
-BB = Black Brush



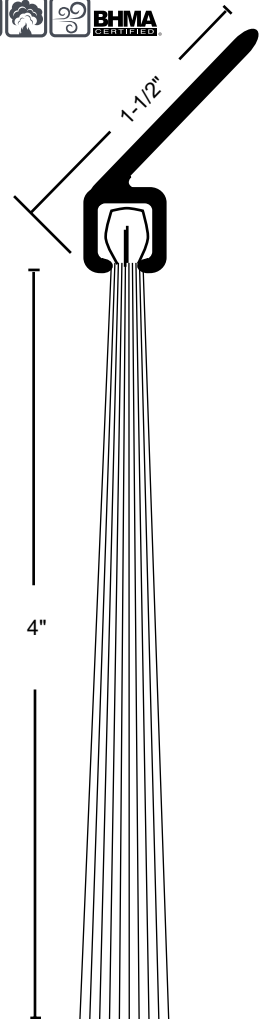
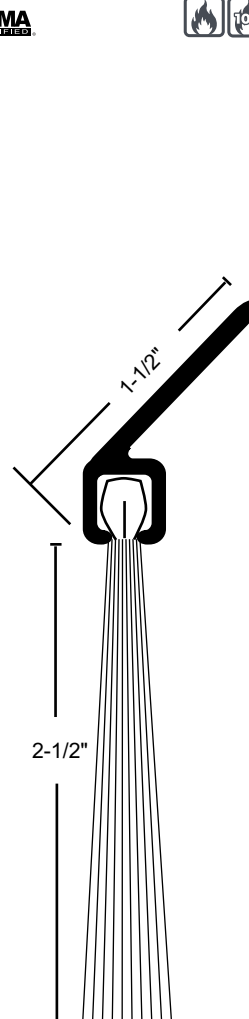
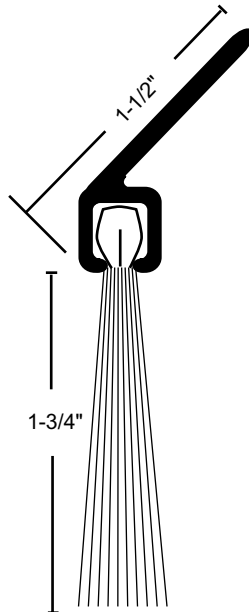
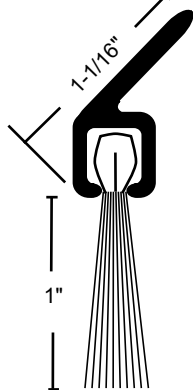
603A
603A-BB
603DKB



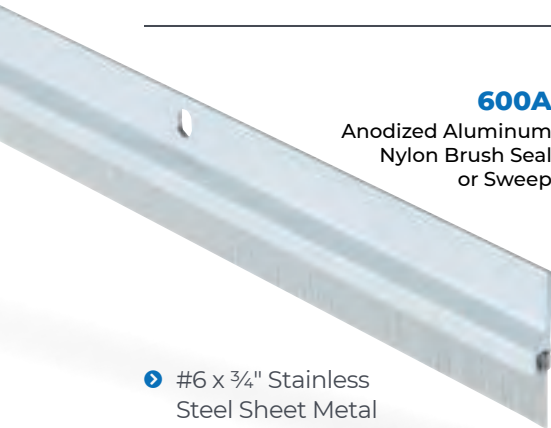
602A
602A-BB
602DKB



* Up To 3 Hours Metal Doors,
1 Hour Wood Doors

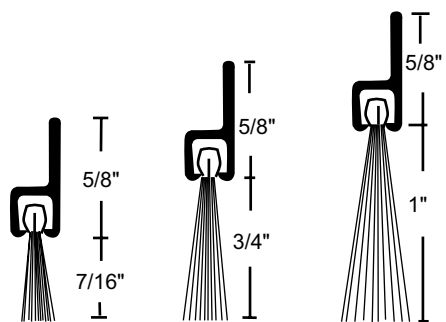


NYLON BRUSH SEALS



600A
Anodized Aluminum
Nylon Brush Seal
or Sweep

▶ #6 x 3/4" Stainless Steel Sheet Metal Screws Furnished. Screw Holes Slotted for Adjustment.

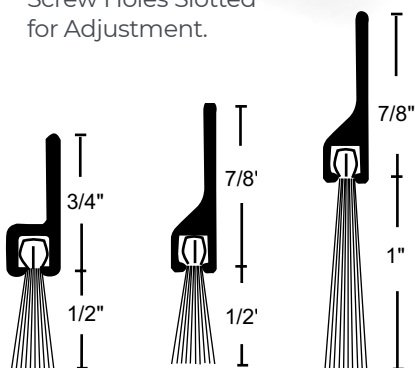


A605A
A605A-BB
A605DKB

OV634A
OV634A-BB
OV634DKB

OV633A
OV633A-BB
OV633DKB

BHMA
CERTIFIED

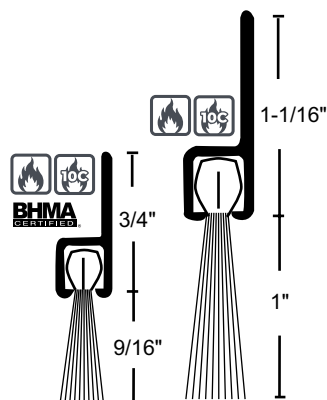


B606A
B606A-BB
B606DKB

600
600-BB
600A
600A-BB
600DKB

601
601-BB
601A
601A-BB
601DKB

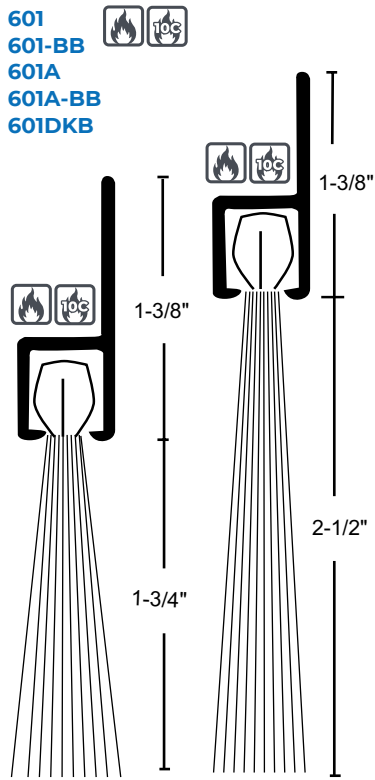
BHMA
CERTIFIED



C607A
C607A-BB
C607DKB

D608A
D608A-BB
D608DKB

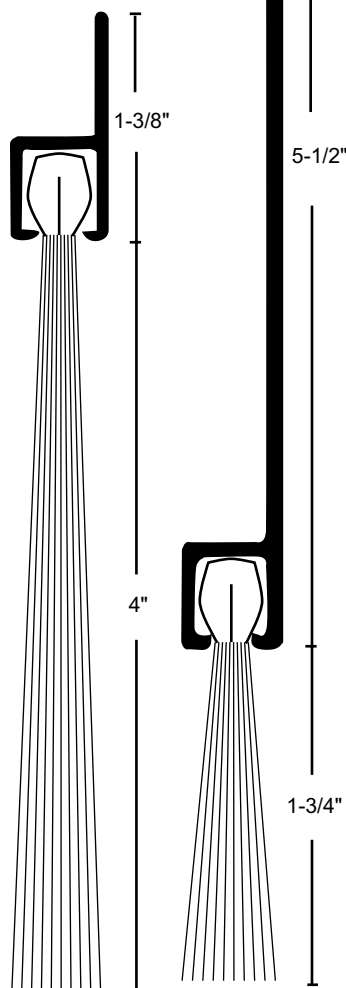
BHMA
CERTIFIED



G610A
G610A-BB
G610DKB

H612A
H612A-BB
H612DKB

I-615A
I-615A-BB
I-615DKB



G611A
G611A-BB
G611DKB

H614A
H614A-BB
H614DKB

I-616A
I-616A-BB
I-616DKB

PERIMETER SEALS

COMPATIBLE WITH PARALLEL ARM CLOSERS

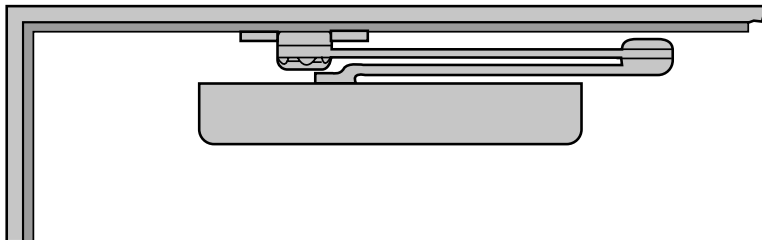
- ▶ No Break in Seal for Closer Mounting
- ▶ Closer and/or Overhead Holder Attach to Frame Through Weatherseal Section. Install Seal First
- ▶ Allows Mounting of Rim Exit Device Strikes Without Notching Gasketing
- ▶ Head Section Not Drilled
- ▶ Jamb Sections Furnished With Slotted Holes for Adjustment
- ▶ Self-Drilling #8 (Tek-type) Screws Furnished



700ES
Mill Aluminum
Silicone Perimeter Seal

PRODUCT# SUFFIX	FINISH
A	Anodized Aluminum
DKB	Dark Bronze / Black Anodized
None	Mill Aluminum

Vinyl, Neoprene, Silicone and Polyurethane are Black -BB = Black Brush



1-1/2" 5/16"

1/4"

neoprene

700EN
700ENDKB

1-1/2" 5/16"

1/4"

silicone

700ES
700ESDKB

1-1/2" 5/16"

1/4"

polyurethane

700EU
700EUDKB

1-1/2" 5/16"

1/4"

vinyl

705EV
705EVDKB

1-1/2" 7/16"

1/4"

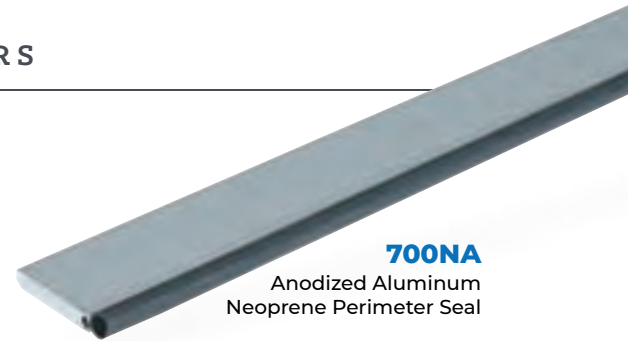
nylon brush

706E Gray Brush
706E-BB Black Brush

PERIMETER SEALS

COMPATIBLE WITH PARALLEL ARM CLOSERS

- ▶ No Break in Seal for Closer Mounting
- ▶ Closer and/or Overhead Holder Attach to Frame Through Weatherseal Section. Install Seal First
- ▶ Allows Mounting of Rim Exit Device Strikes Without Notching Gasketing
- ▶ Head Section Not Drilled
- ▶ Jamb Sections Furnished With Slotted Holes for Adjustment
- ▶ Self-Drilling #8 (Tek-type) Screws Furnished

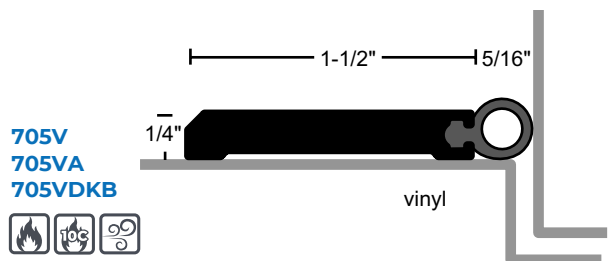
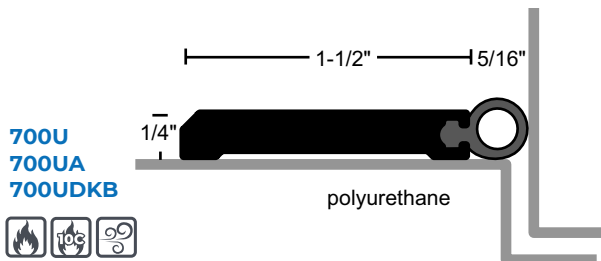
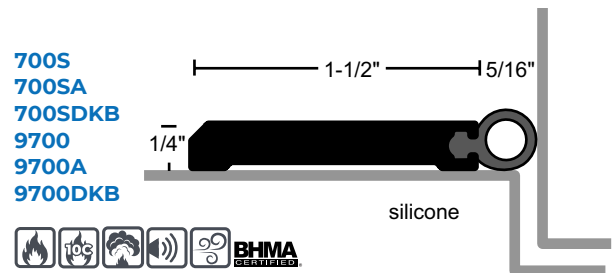
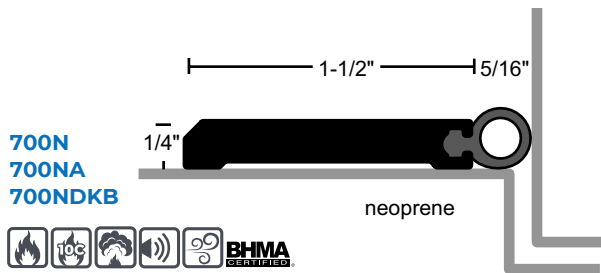


700NA

Anodized Aluminum
Neoprene Perimeter Seal

PRODUCT#	
SUFFIX	FINISH
A	Anodized Aluminum
DKB	Dark Bronze / Black Anodized
None	Mill Aluminum

Vinyl, Neoprene, Silicone and Polyurethane are Black

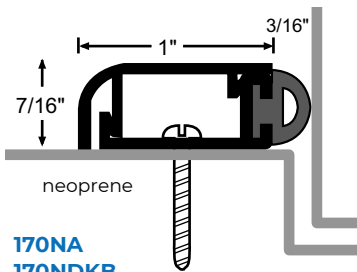
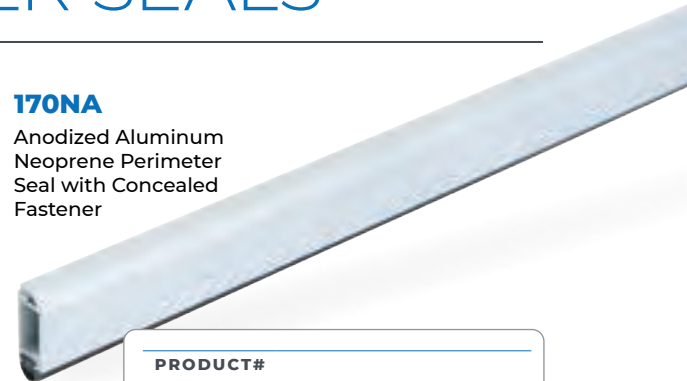


CONCEALED FASTENER SEALS

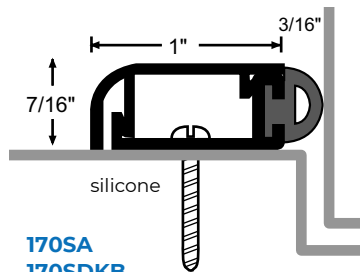
- ▶ Snap-On Cover Conceals Screw Heads for Clean Appearance
- ▶ #6 x 3/4" Stainless Steel Sheet Metal Screws Furnished
- ▶ Screw Holes Slotted for Adjustment

170NA

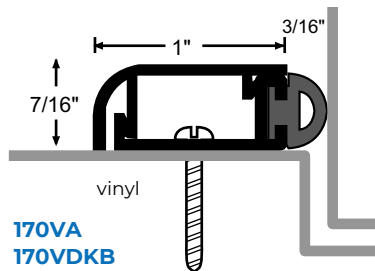
Anodized Aluminum
Neoprene Perimeter
Seal with Concealed
Fastener



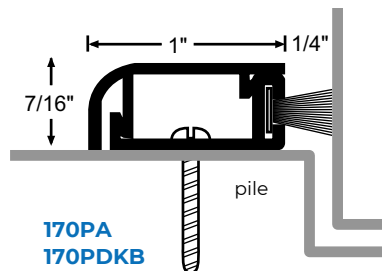
170NA
170NDKB



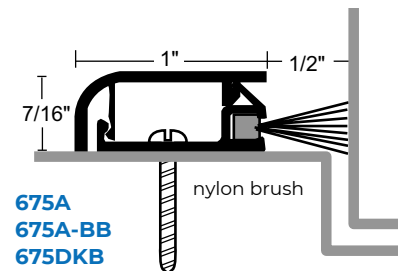
170SA
170SDKB



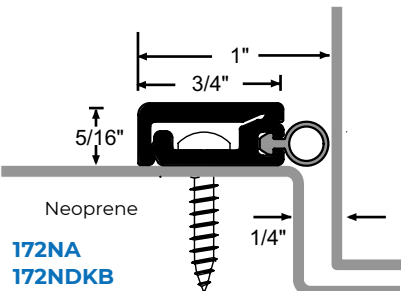
170VA
170VDKB



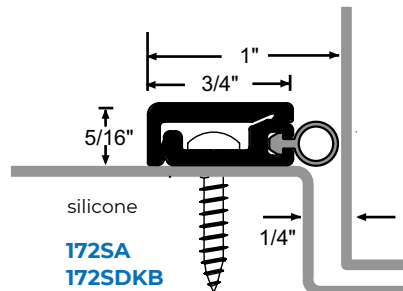
170PA
170PDKB



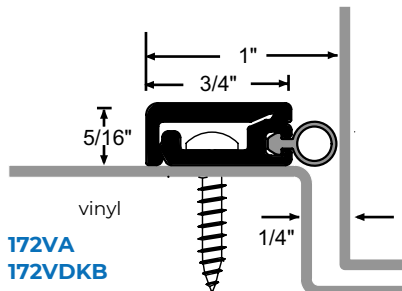
675A
675A-BB
675DKB



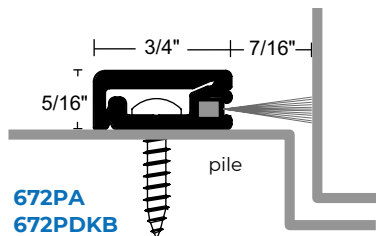
172NA
172NDKB



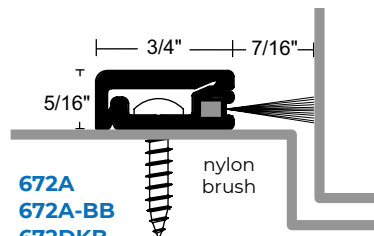
172SA
172SDKB



172VA
172VDKB



672PA
672PDKB



672A
672A-BB
672DKB



PRODUCT# SUFFIX	FINISH
A	Anodized Aluminum
DKB	Dark Bronze / Black Anodized
None	Mill Aluminum

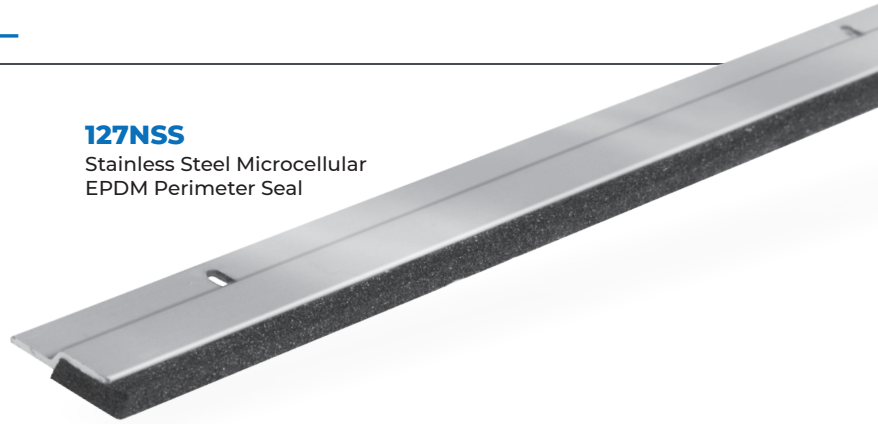
*Pile is Gray
Vinyl, Neoprene & Silicone are Black
Nylon Brush is Gray with Anodized Alum and Black with DKB Metal.
-BB = Black Brush*

STAINLESS STEEL

- ▶ Stainless Steel Type 304 Brushed #4 Finish (US32D, 630)
- ▶ #6 x 3/4" Stainless Steel SMS Furnished
- ▶ Screw Holes Slotted for Adjustment
- ▶ Microcellular EPDM, Silicone, Neoprene, Polyurethane are Black

127NSS

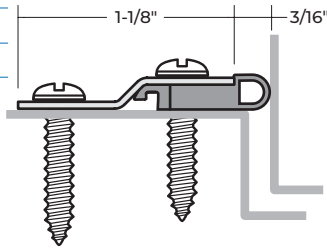
Stainless Steel Microcellular EPDM Perimeter Seal



PERIMETER SEALS

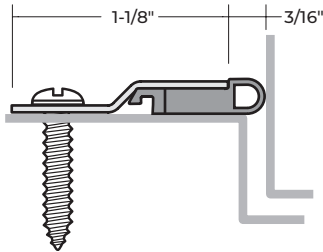
120NSS Microcellular EPDM

120SSS Silicone

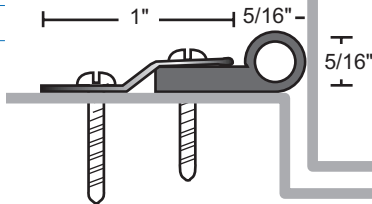


127NSS Microcellular EPDM

127SSS Silicone

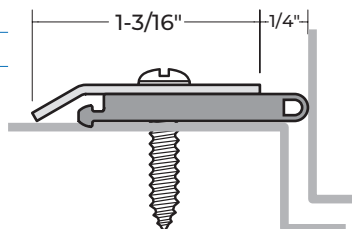


129NSS Neoprene

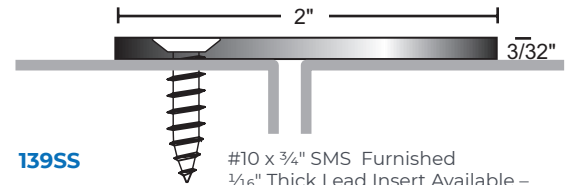


130NSS Microcellular EPDM

130SSS Silicone

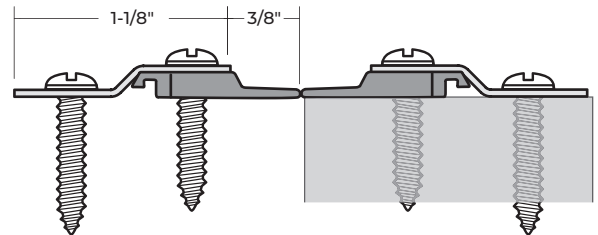


ASTRAGAL SEALS



139SS

#10 x 3/4" SMS Furnished
1/16" Thick Lead Insert Available - Specify "Lead-Lined"



125NSS Microcellular EPDM

9125SS Silicone

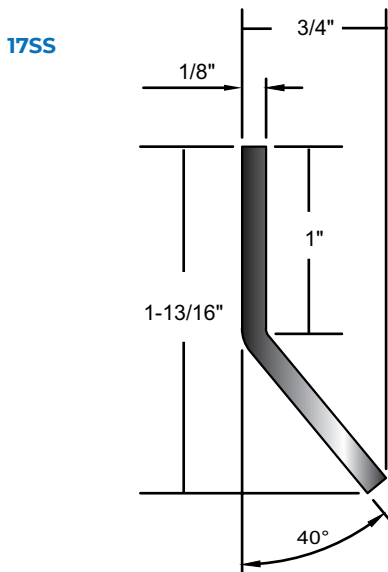
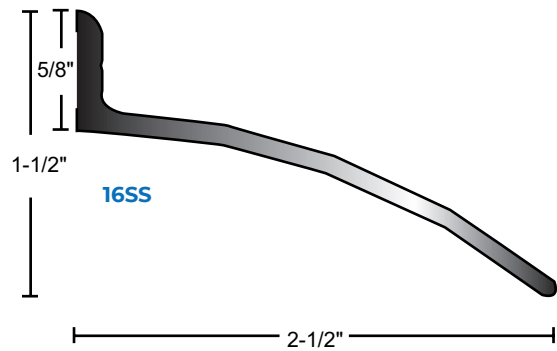


Provided as Two-Piece Set

STAINLESS STEEL

- Stainless Steel Type 304 Brushed #4 Finish (US32D, 630)
- Silicone and Neoprene are Black. Nylon Brush Available in Gray or Black (Please Specify).
- #6 x 3/4" Stainless Steel SMS Furnished
- Screw Holes Slotted for Adjustment

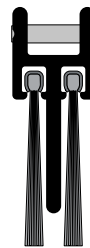
RAIN DRIP GUARD



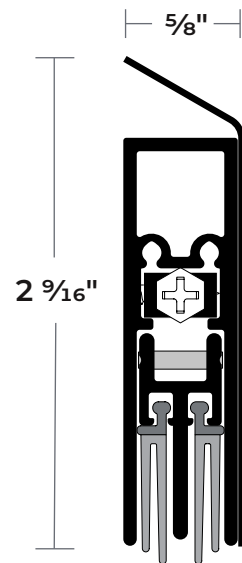
AUTOMATIC DOOR BOTTOM

- Stainless Steel Type 304 Brushed #4 Finish (US32D, 630)
- BHMA Certified to ANSI/BHMA A156.22, 1,000,000 Cycle Test-Grade 1
- Lead Insert Available for Radiation Shield – Specify 'Lead Lined'
- Door Bottom is Handed. Right Hand Supplied Unless Specified

- 229NSS** Black Neoprene
- 229SSS** Gray Silicone
- 229WHSS** Black Nylon Brush

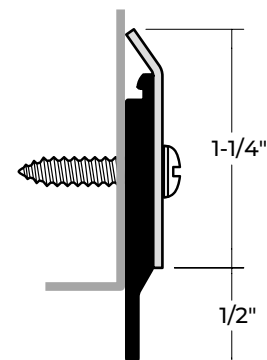


Drop Bar with Nylon Brush - Suffix "WH"



DOOR SWEEP

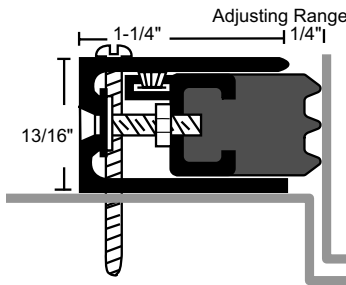
- 200NSS** Neoprene
- 200SSS** Silicone



ADJUSTABLE PERIMETER SEALS

- Adjustment Screws on 10" Centers Allow Adjustment Without Re-Positioning Mounting Location
- #6 x 3/4" or #6 x 1 1/2" Stainless Steel SMS Furnished

107SA
Anodized Aluminum Adjustable Perimeter Seal with Silicone Seal

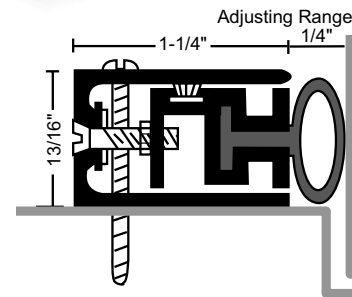


PRODUCT#	INSERT	FINISH
103NA	Black Neoprene	Anodized Aluminum
103NDKB	Black Neoprene	Dark Bronze / Black Anodized

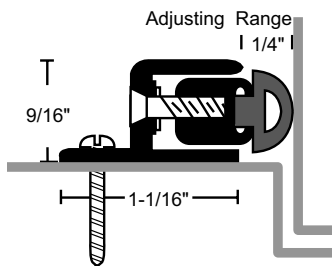


Option: Foam back seal - suffix 'FS'

103N used with Parallel Arm Door Closer requires use of #3 Bracket on page G33



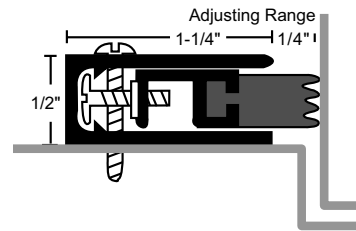
PRODUCT#	INSERT	FINISH
1038NA	Black Neoprene	Anodized Aluminum
1038NDKB	Black Neoprene	Dark Bronze / Black Anodized



PRODUCT#	INSERT	FINISH
106NA	Black Neoprene	Anodized Aluminum
106NDKB	Black Neoprene	Dark Bronze / Black Anodized



PRODUCT#	INSERT	FINISH
106SA	Black Silicone	Anodized Aluminum
106SDKB	Black Silicone	Dark Bronze / Black Anodized



PRODUCT#	INSERT	FINISH
107NA	Black Neoprene	Anodized Aluminum
107NDKB	Black Neoprene	Dark Bronze / Black Anodized



PRODUCT#	INSERT	FINISH
107SA	Black Silicone	Anodized Aluminum
107SDKB	Black Silicone	Dark Bronze / Black Anodized



107 used with Parallel Arm Door Closer requires use of #7 Bracket on page G33

STEEL MOUNTING BRACKETS

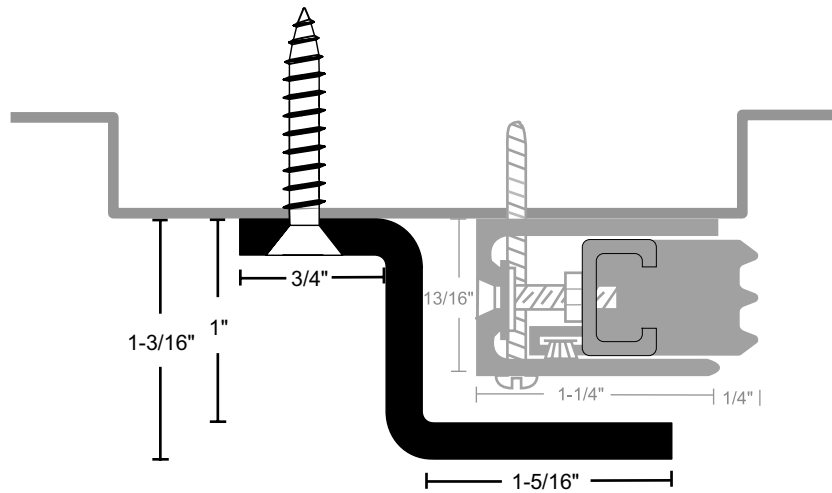
All Products on This Page:



- Allows Installation of Door Closer Shoe or Rim Exit Device Strike Without Interruption or Notching of Perimeter Seals
- Furnished With #12 x 1 1/4" SMS
- 3/16" Thick Steel
- 6" Long
- Powder Coat Finish

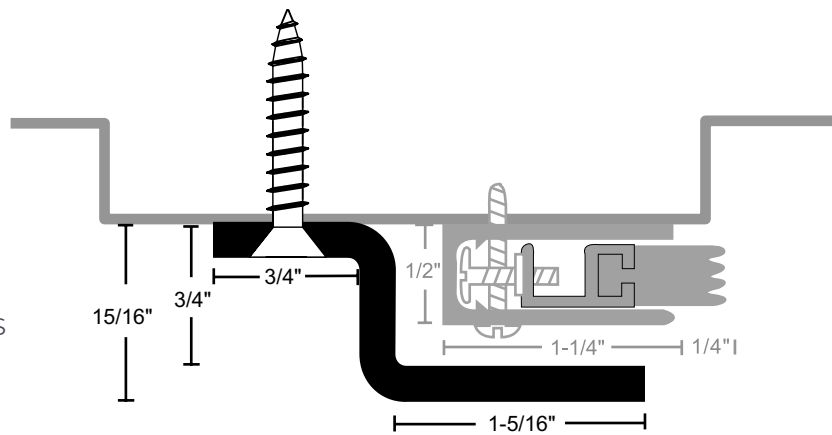
3ASL	Aluminum Silver
3DKB	Matte Black
3SP	Prime Coat

Fits Over 103N, 303N,
1038N, 3038N



7ASL	Aluminum Silver
7DKB	Matte Black
7SP	Prime Coat

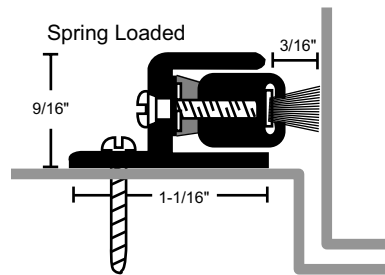
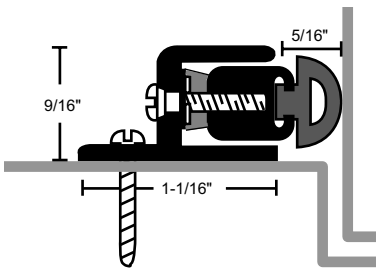
Fits Over 106N, 107N, 141P, 141S



SPRING ADJUSTABLE PERIMETER SEALS

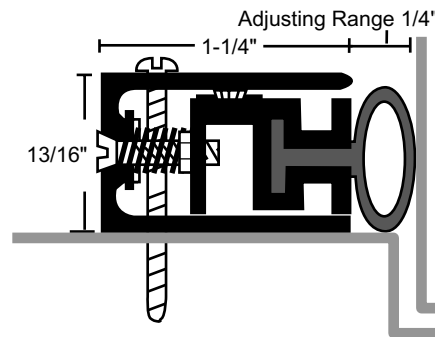
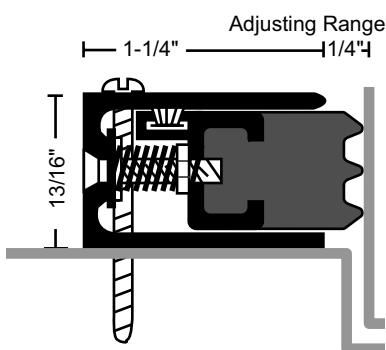
- Adjustment Screws on 10" Centers Allow Adjustment without Re-Positioning Mounting Location
- Spring-Loaded to Maintain Pressure for the Most Effective Seal
- #6 x 3/4" or #6 x 1 1/2" Stainless Sheet Metal Screws Furnished

303NA
Anodized Aluminum Spring Adjustable Neoprene Perimeter Seal



PRODUCT#	INSERT	FINISH
141NA	Black Neoprene	Anodized Aluminum
141NDKB	Black Neoprene	Dark Bronze / Black Anodized
141SA	Black Silicone	Anodized Aluminum
141SDKB	Black Silicone	Dark Bronze / Black Anodized

PRODUCT#	INSERT	FINISH
141PA	Gray Pile	Anodized Aluminum
141PDKB	Gray Pile	Dark Bronze / Black Anodized



PRODUCT#	INSERT	FINISH
303NA	Black Neoprene	Anodized Aluminum
303NDKB	Black Neoprene	Dark Bronze / Black Anodized

PRODUCT#	INSERT	FINISH
3038NA	Black Neoprene	Anodized Aluminum
3038NDKB	Black Neoprene	Dark Bronze / Black Anodized



AUTOMATIC DOOR BOTTOMS

SURFACE

All Products on This Page:



- Mounts on Push Side of Door
- Use with a Threshold for Maximum Sealing Capability
- Nylon Brush Recommended for Carpet Applications Where No Threshold is Provided
- Specify Exact Net Length Required to Avoid Field Sizing
- ADB's from 12" to 18" Can be Cut Down 1/2". ADB's 20" and Over Can be Cut Down up to 1 1/2"
- Minimum Length 11 1/2", Maximum Length 60"
- 3/4" Max Drop
- Steel End Caps Furnished Standard – Black Finish
- BHMA Certified to ANSI/BHMA A156.22, 1,000,000 Cycle Test-Grade 1
- Lead Insert Available for Radiation Shield – Specify 'Lead Lined'
- Models 220 and 229 are Handed. Right Hand Supplied Unless Specified

220SA

Anodized Aluminum Automatic Door Bottom with Silicone Seal

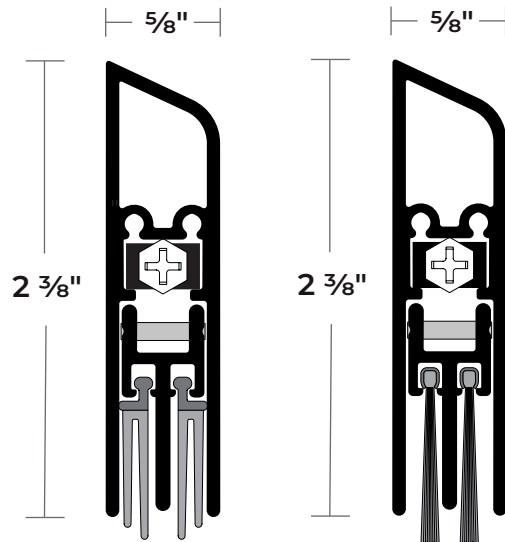


PRODUCT#	SUFFIX	FINISH
A		Anodized Aluminum
DKB		Dark Bronze / Black Anodized
None		Mill Aluminum

SURFACE

220NA	Black Neoprene
220NDKB	Black Neoprene

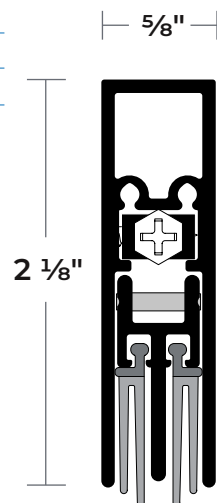
220SA	Black Silicone
220SDKB	Black Silicone



220WHA	Black Nylon Brush
220WHDKB	Black Nylon Brush

222NA	Black Neoprene
222NDKB	Black Neoprene

222SA	Black Silicone
222SDKB	Black Silicone



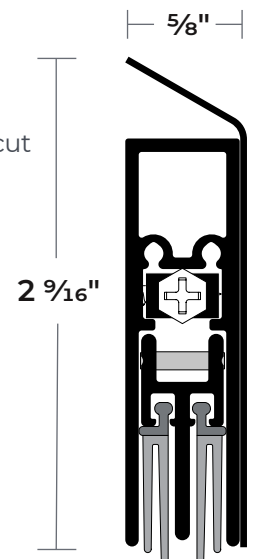
Drop Bar with Nylon Brush - Suffix "WH"



STAINLESS STEEL

- ADB's from 12" to 18" can be cut down 1/2". ADB's 20" and over can be cut down up to 1 1/2"
- Minimum Length 11 1/2", Maximum Length 60"
- 3/4" Max Drop
- Stainless Steel End Caps Furnished Standard – #4 Brushed Finish

229NSS	Black Neoprene
229SSS	Gray Silicone
229WHSS	Black Nylon Brush



AUTOMATIC DOOR BOTTOMS

HEAVY-DUTY SURFACE

All Products on This Page:



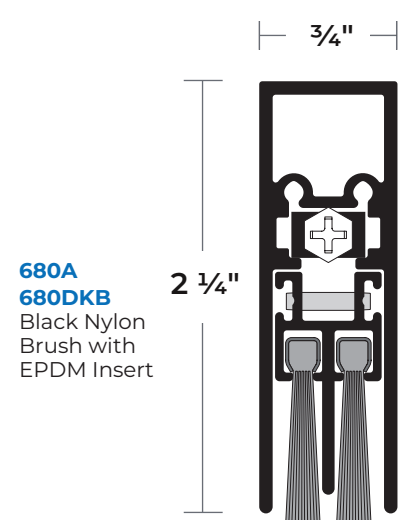
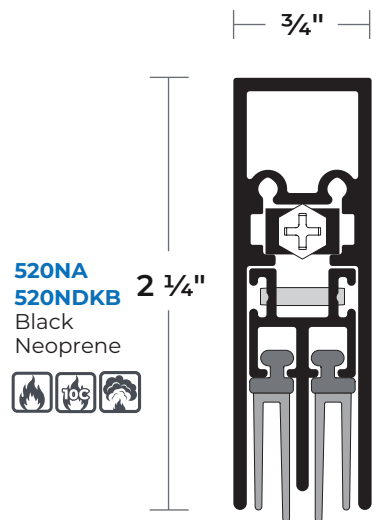
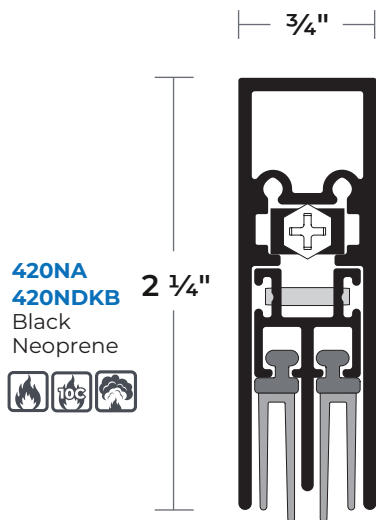
- Mounts on Push Side of Door
- Use With a Threshold for Maximum Sealing Capability
- Nylon Brush Recommended for Carpet Applications Where No Threshold is Provided
- Specify Exact Net Length Required to Avoid Field Sizing
- ADB's from 12" to 18" Can be Cut Down 1/2".
ADB's 20" and Over Can be Cut Down up to 1 1/2"
- Minimum Length 11 1/2", Maximum Length 60"
- 3/4" Max Drop
- Steel End Caps Furnished Standard – Black Finish
- BHMA Certified to ANSI/BHMA A156.22, 1,000,000 Cycle Test-Grade 1
- Lead Insert Available for Radiation Shield – Specify 'Lead Lined'

420NA

Anodized Aluminum Heavy-Duty Surface, Automatic Door Bottom with Neoprene Seal



PRODUCT# SUFFIX	FINISH
A	Anodized Aluminum
DKB	Dark Bronze / Black Anodized



AUTOMATIC DOOR BOTTOMS

MORTISE

All Products on This Page:



- ▶ Fits Wood Fire Door Mortise Restrictions
- ▶ Use With a Threshold for Maximum Sealing Capability
- ▶ Nylon Brush Recommended for Carpet Applications Where No Threshold is Provided
- ▶ Specify Exact Net Length Required to Avoid Field Sizing
- ▶ Furnished ½" Shorter Than Ordered to Fit Within Net Door Size (i.e. 36" is Furnished 35 ½")
- ▶ ADB's from 12" to 18" Can be Cut Down ½". ADB's 20" and Over Can be Cut Down up to 1 ½"
- ▶ Minimum Length 11 ½", Maximum Length 60"
- ▶ ¾" Max Drop
- ▶ Black Plastic End Caps Furnished Standard
- ▶ BHMA Certified to ANSI/BHMA A156.22, 1,000,000 Cycle Test-Grade 1
- ▶ Lead Insert Available for Radiation Shield – Specify 'Lead Lined'

335NA

Clear Anodized Aluminum
Mortise Automatic Door
Bottom with Neoprene Seal



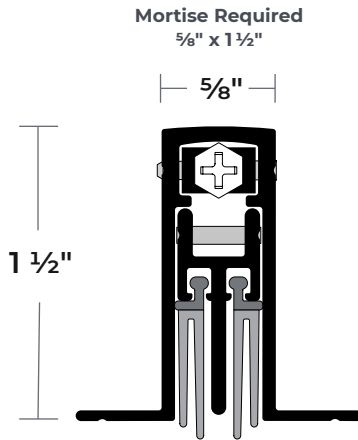
335NA

Neoprene



335SA

Silicone



225NA

Neoprene

225SA

Silicone



225WHA

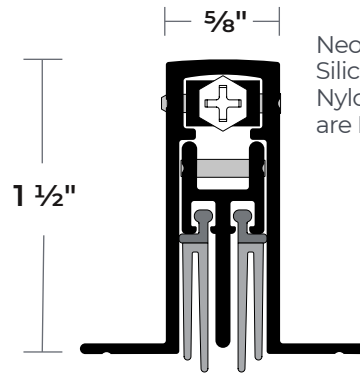
Nylon Brush

Drop Bar
with Nylon
Brush -
Suffix "WH"



Mortise Required

5/8" x 1 1/2"



Neoprene,
Silicone &
Nylon Brush
are Black

HOLLOW METAL DOORS

- ▶ Fits in 1 5/8" x 3/4" Channel. A "Furring Strip" May Be Used to Lower Automatic Door Bottom When a Deeper Channel is Used
- ▶ Furnished ½" Shorter Than Ordered to Fit Within Net Door Size (i.e. 36" is Furnished 35 ½") Length May Be Field Cut up to 1 ½"
- ▶ 5/8" Max Drop
- ▶ Fire Ratings Apply to Metal Doors Only
- ▶ #6 x 1/2" Tek Screws Furnished
- ▶ End Caps Not Available
- ▶ Available 12" to 60" in Length
- ▶ BHMA Certified to ANSI/BHMA A156.22, 1,000,000 Cycle Test-Grade 1
- ▶ Lead Insert Available for Radiation Shield – Specify 'Lead Lined'

320SA

Clear Anodized Aluminum
Automatic Door Bottom for
Hollow Metal Doors with
Silicone Seal



320NA

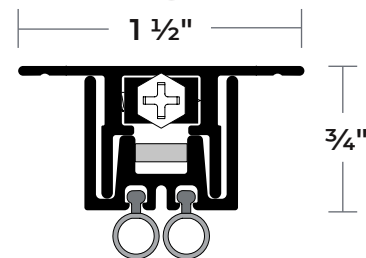
Neoprene

320SA

Silicone

320VA

Vinyl



AUTOMATIC DOOR BOTTOMS

All Products on This Page:



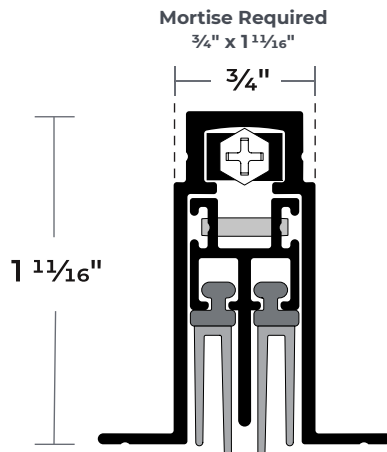
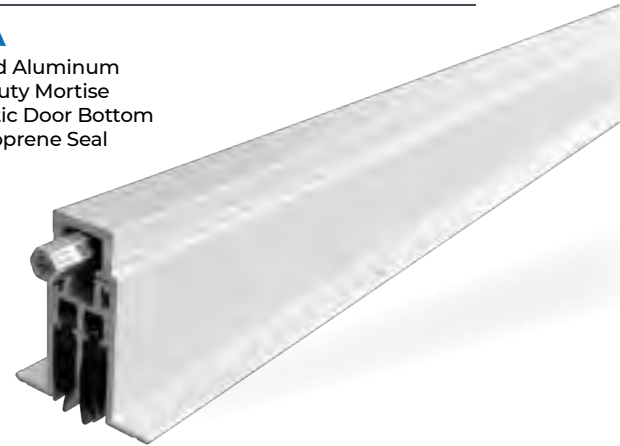
HEAVY-DUTY MORTISE

- ▶ Fits Wood Fire Door Mortise Restrictions
- ▶ Use With a Threshold for Maximum Sealing Capability
- ▶ Nylon Brush Recommended for Carpet Applications Where No Threshold Is Provided
- ▶ Specify Exact Net Length Required to Avoid Field Sizing
- ▶ Furnished $\frac{1}{2}$ " Shorter Than Ordered to Fit Within Net Door Size (i.e. 36" is Furnished 35 $\frac{1}{2}$ ")
- ▶ ADB's from 12" to 18" Can be Cut Down $\frac{1}{2}$ ". ADB's 20" and Over Can be Cut Down up to 1 $\frac{1}{2}$ "
- ▶ Minimum Length 11 $\frac{1}{2}$ ", Maximum Length 60"
- ▶ $\frac{3}{4}$ " Max Drop
- ▶ Black Plastic End Caps Furnished Standard
- ▶ BHMA Certified to ANSI/BHMA A156.22, 1,000,000 Cycle Test-Grade 1
- ▶ Lead Insert Available for Radiation Shield – Specify 'Lead Lined'

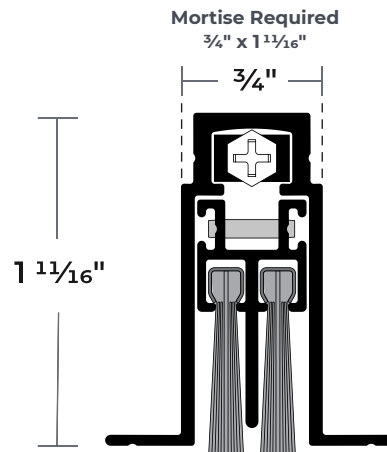
Neoprene is Black
Nylon Brush is Black
#6 x $\frac{1}{2}$ " Tek Screws
Furnished

423NA

Anodized Aluminum
Heavy-Duty Mortise
Automatic Door Bottom
with Neoprene Seal



423NA
Neoprene



683A
Nylon Brush Seal with
EPDM Rubber Insert

ACOUSTICAL DOOR SHOES

- Aluminum Alloy 6063, T5 Temper
- Thermoplastic Polymer: Polyvinyl Chloride
Formulated with an Environmentally Friendly Bio-Based Plasticizer
- Economical
- Flame-Resistant
- Moisture-Resistant
- Temperature Range 0°F to 140°F
- Oxidative Degradation From Age and Exposure to Cold, Heat and UV Causes Hardening, Loss of Memory and Resilience, Cracking, Crazeing and Discoloration
- #6 x 3/4" Stainless Steel SMS Furnished
- Screw Holes Slotted for Adjustment

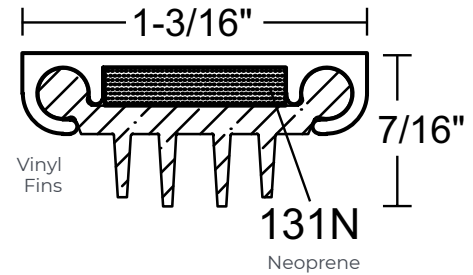
312V X 131N
312VDKB X 131N



SPECIFY THE DESIRED INSERT, FINISH AND COLOR WHEN PLACING YOUR ORDER.

PRODUCT# SUFFIX	FINISH
DKB	Dark Bronze / Black Anodized
None	Mill Aluminum

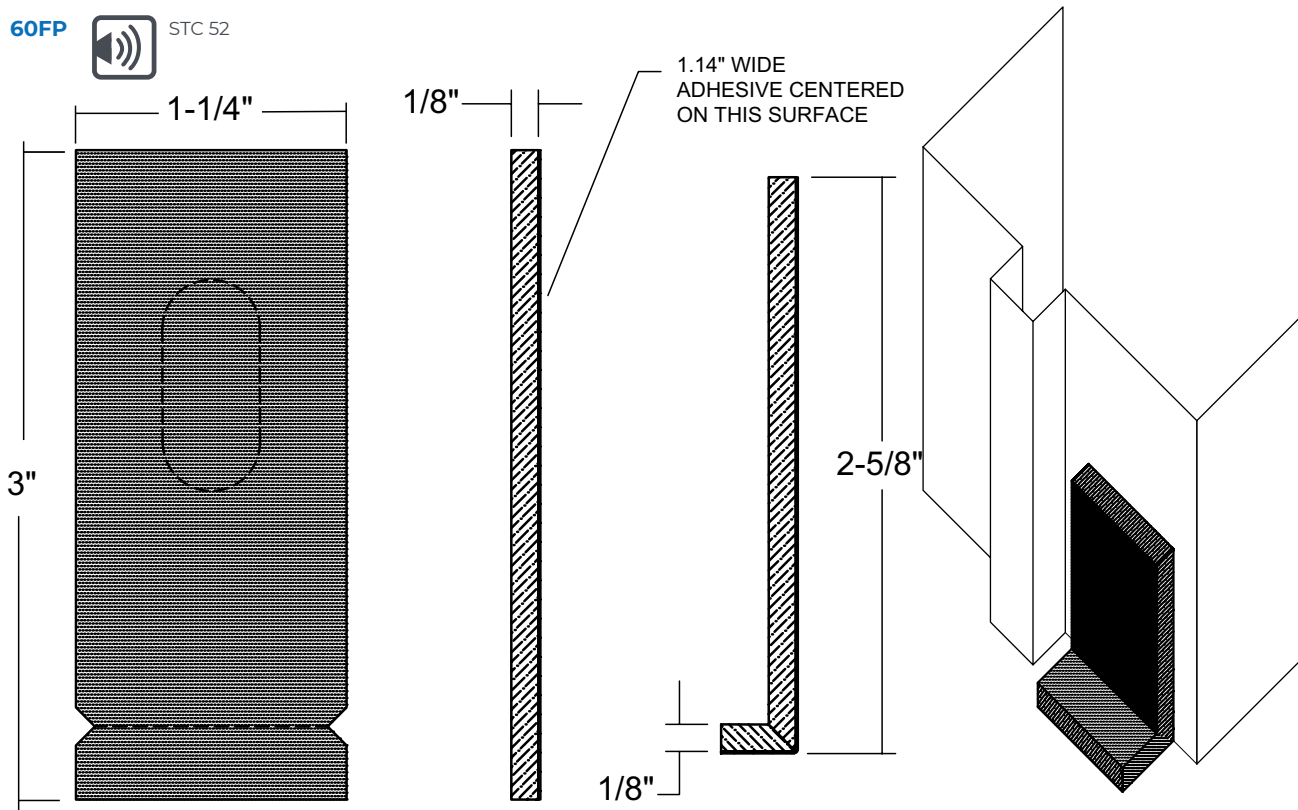
Vinyl is Black



STC RATED ACOUSTICAL FOAM PAD

- Foam Seal Self-Adhesive
- Helps Acoustics and Seals at Corner Gap
- Apply to Jambs on Hinge and Strike Side
- Available as Set of 2 Pads
- Color is Black

60FP STC 52

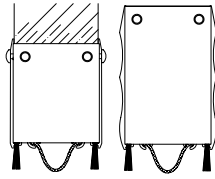


EXTENDED DOOR SHOES

All Products on This Page:



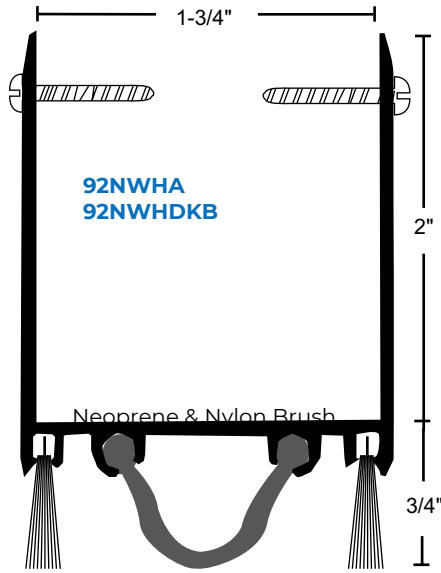
- ▶ #6 x 3/4" Stainless Steel SMS Furnished
- ▶ End Caps Available - Sold Separately



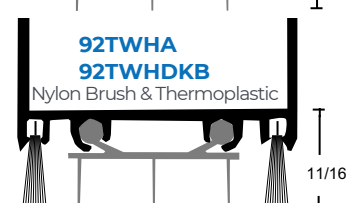
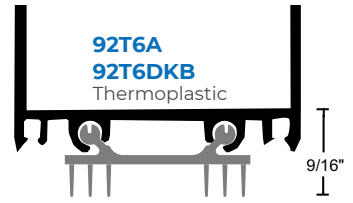
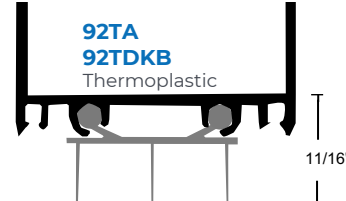
PRODUCT#	SUFFIX	FINISH
	A	Anodized Aluminum
	DKB	Dark Bronze / Black Anodized
	None	Mill Aluminum

*Vinyl is Black
Neoprene is Black
Thermoplastic is Dark Brown
Nylon Brush Is Gray* with Anodized Aluminum; Black with DKB Metal*

92 SERIES

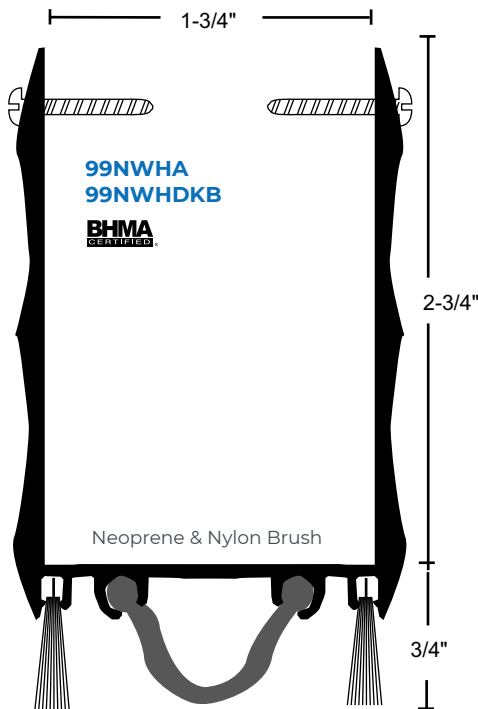


GASKETING OPTIONS:

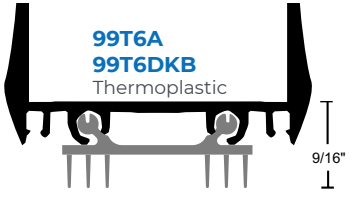
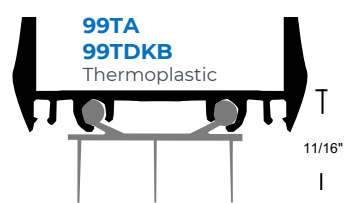


*Specify Black Brush if Desired

99 SERIES



GASKETING OPTIONS:



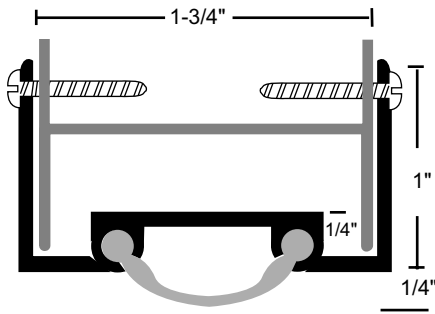
SMOOTH VINYL DOOR SHOES

- ▶ #6 x 3/4" Stainless Steel Sheet Metal Screws Furnished
- ▶ Screw Holes Slotted for Adjustment

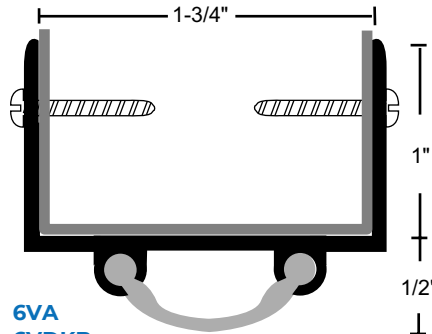


PRODUCT# SUFFIX	FINISH
A	Anodized Aluminum
DKB	Dark Bronze / Black Anodized
None	Mill Aluminum

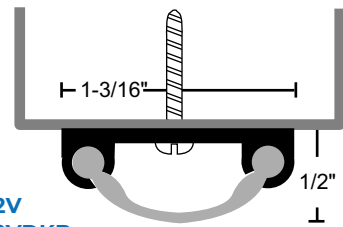
Vinyl is Black



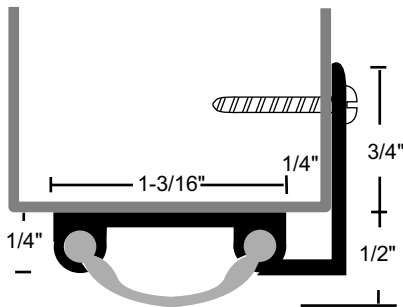
5VA
5VDKB



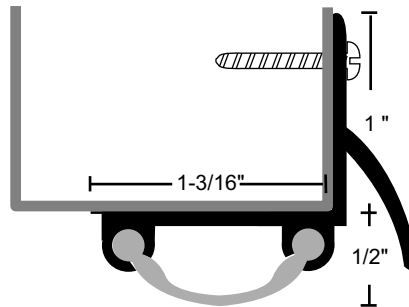
6VA
6VDKB



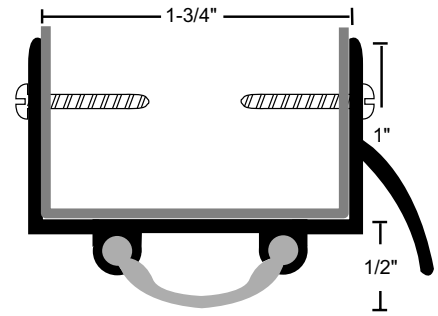
12V
12VDKB



13VA
13VDKB



18V
18VDKB

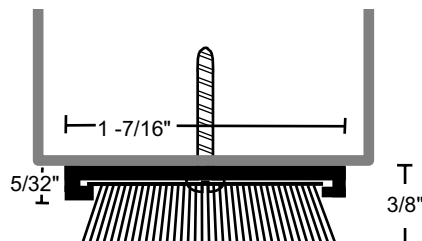


19V
19VDKB

POLYPROPYLENE PILE DOOR SHOES

- ▶ #6 x 3/4" Stainless Steel SMS Furnished
- ▶ Pile is Gray

254P
254PDKB



NEOPRENE, NYLON BRUSH, DOUBLE FIN

DOOR SHOES

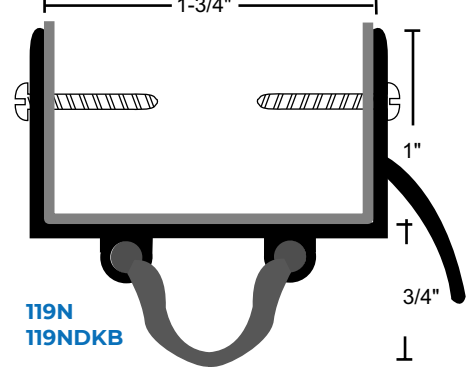
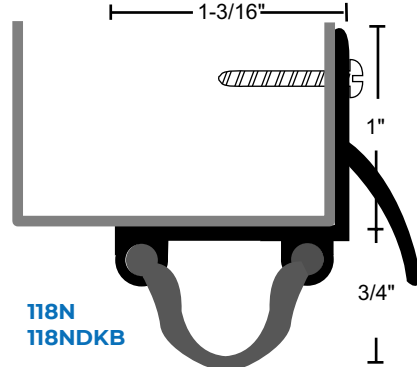
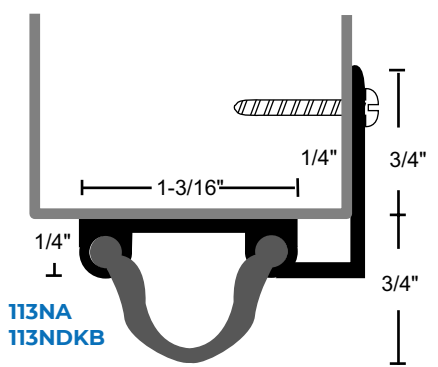
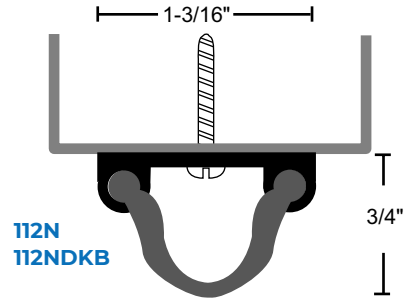
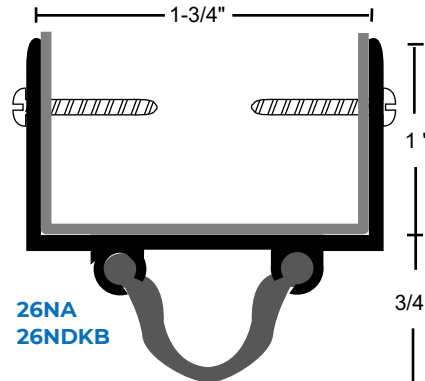
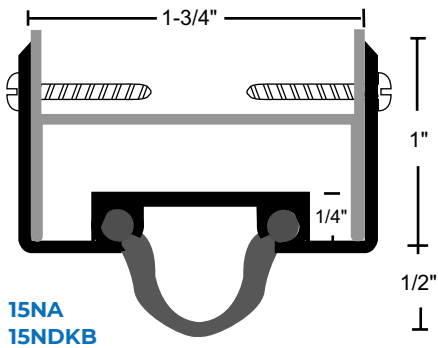
NEOPRENE DOOR SHOES

- ▶ #6 x 3/4" Stainless Steel Sheet Metal Screws Furnished
- ▶ Screw Holes Slotted for Adjustment



PRODUCT# SUFFIX	FINISH
A	Anodized Aluminum
DKB	Dark Bronze / Black Anodized
None	Mill Aluminum

Neoprene is Black



NYLON BRUSH DOOR SHOE

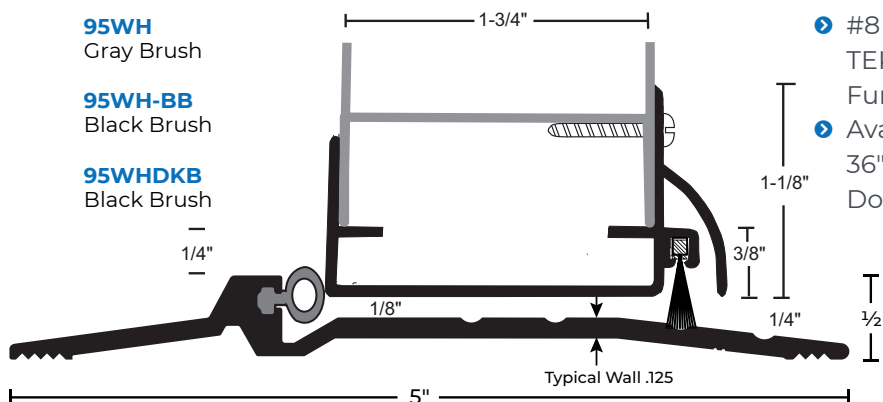
- ▶ #6 x 3/4" Stainless Steel SMS Furnished
- ▶ Screw Holes Slotted for Adjustment



95WH
Gray Brush

95WH-BB
Black Brush

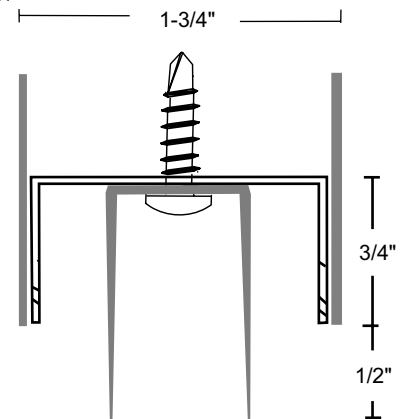
95WHDKB
Black Brush



Designed for use on standard 3/4" undercut door used with NGP 896 V, N, or S ADA compliant threshold as shown

DOUBLE FIN DOOR SHOE

- ▶ Rigid Polypropylene Top with Flexible TPV Fins
- ▶ Designed for Hollow Metal Doors with Inverted Bottom Channel
- ▶ Furnished Undrilled
- ▶ #8 x 3/4" TEK Screws Furnished
- ▶ Available for 36" and 48" Door Widths



896
896DKB
Threshold

331
Black

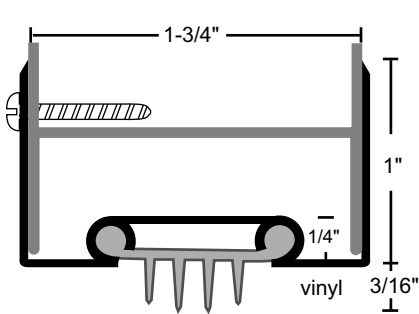
FINNED VINYL DOOR SHOES

All Products on This Page:

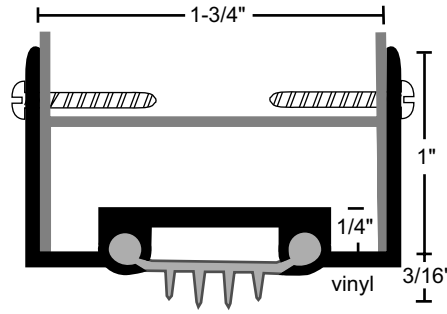


- ▶ #6 x 3/4" Stainless Steel SMS Furnished
- ▶ Screw Holes Slotted for Adjustment

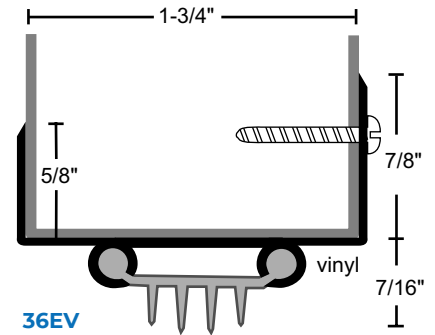
PRODUCT#	SUFFIX	FINISH
	A	Anodized Aluminum
	DKB	Dark Bronze / Black Anodized
	None	Mill Aluminum
<i>Vinyl is Black</i>		



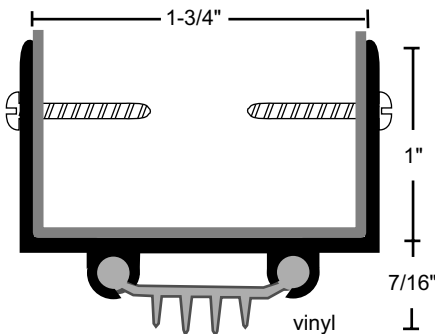
35EV
35EVDKB



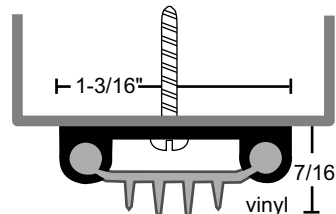
35VA
35VDKB



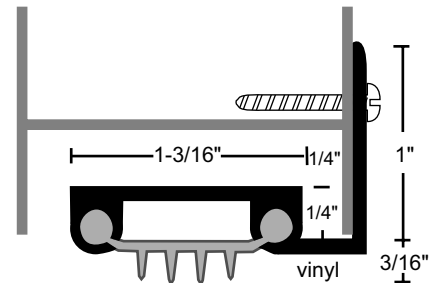
36EV
36EVDKB



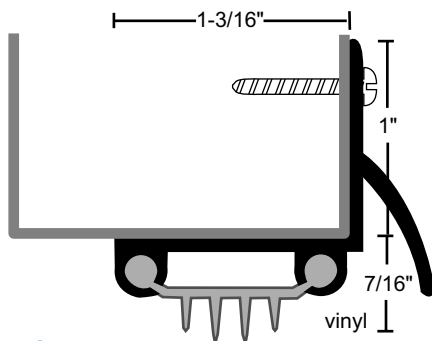
36VA
36VDKB



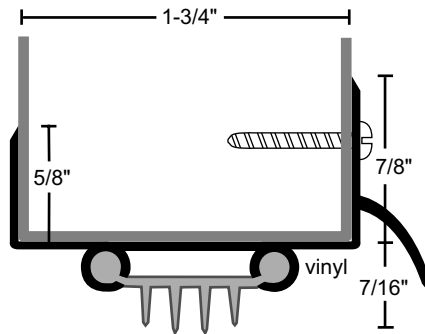
312V
312VDKB



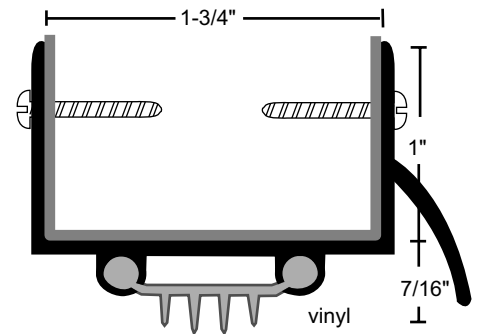
313VA
313VDKB



318V
318VDKB



319EV
319EVDKB



319V
319VDKB

THERMOPLASTIC DOOR SHOES

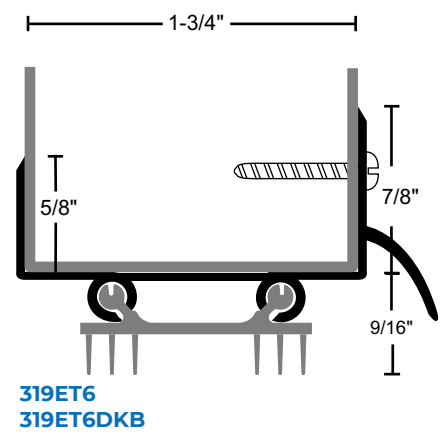
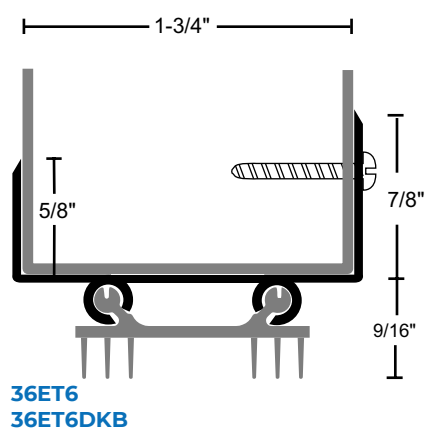
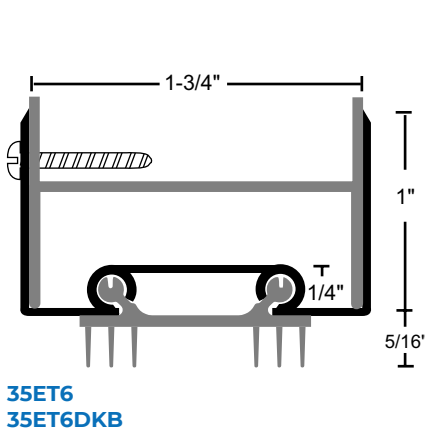
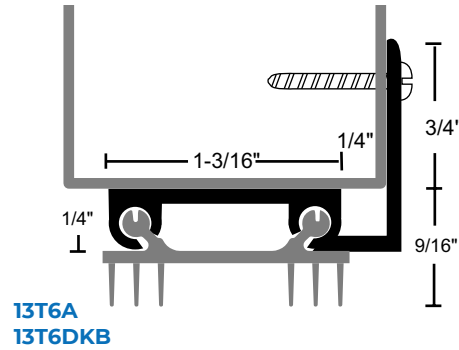
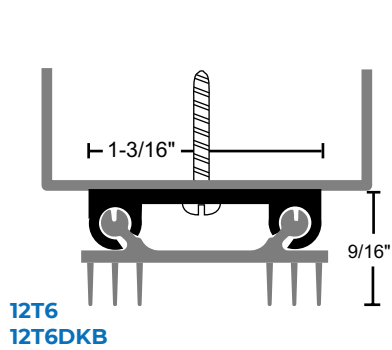
All Products on This Page:



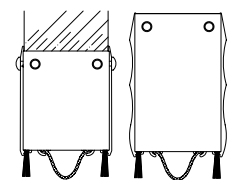
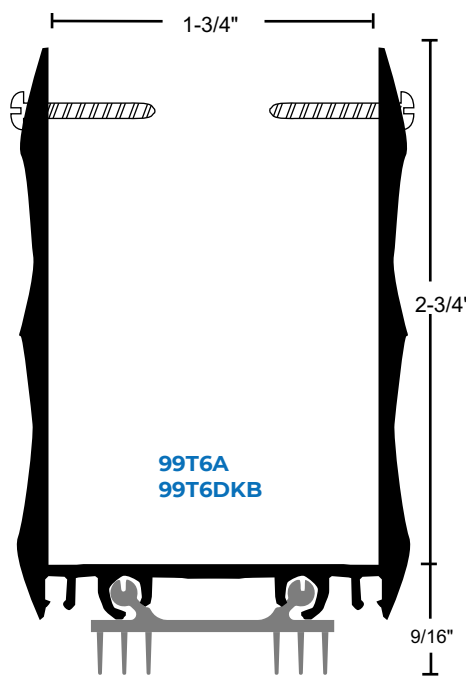
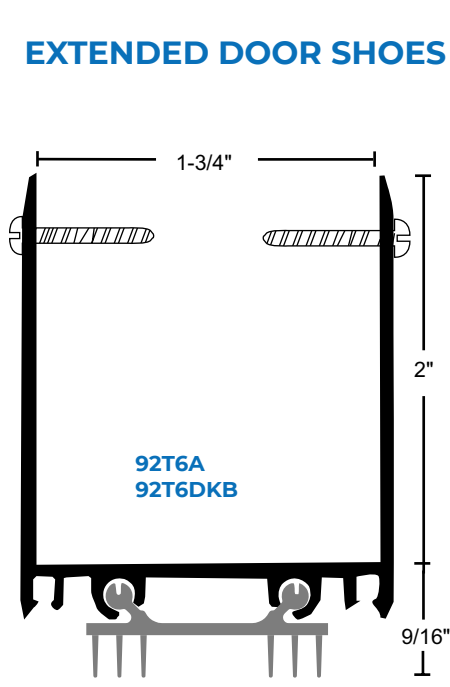
- ▶ Thermoplastic Polymer Seal with Rigid Base and Soft Vinyl Fins
- ▶ 48" Maximum Length
- ▶ #6 x 3/4" Stainless Steel SMS Furnished

PRODUCT#	SUFFIX	FINISH
	A	Anodized Aluminum
	DKB	Dark Bronze / Black Anodized
	None	Mill Aluminum

Thermoplastic is Dark Brown



EXTENDED DOOR SHOES



End Caps Available - Sold Separately

THERMOPLASTIC DOOR SHOES

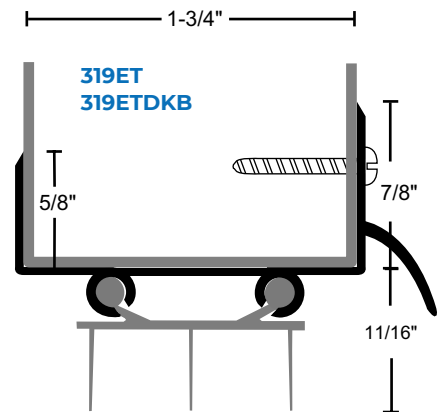
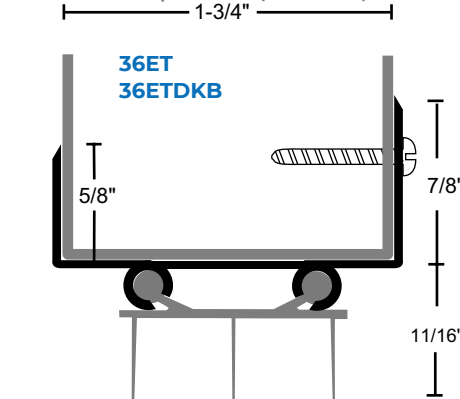
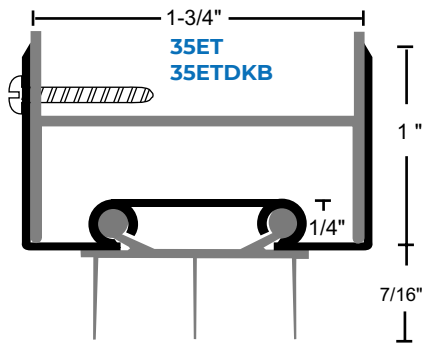
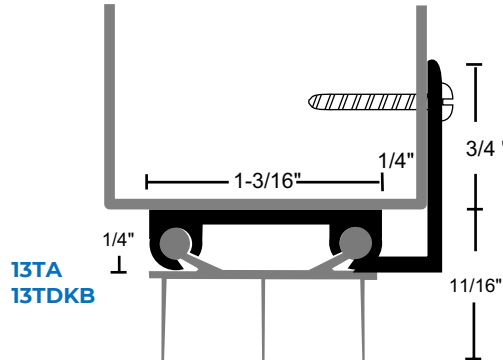
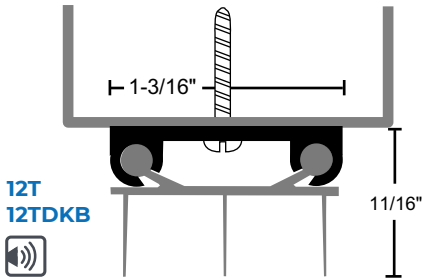
- ▶ Thermoplastic Polymer Seal with Rigid Base and Soft Vinyl Fins
- ▶ Available with Notched Fins to Allow Air Flow While Restricting Light, Suffix NF
- ▶ 48" Maximum Length
- ▶ #6 x 3/4" Stainless Steel SMS Furnished



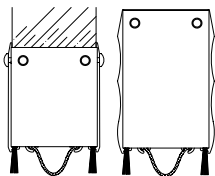
Option: Notched Fins - Suffix 'NF'

PRODUCT#	
SUFFIX	FINISH
A	Anodized Aluminum
DKB	Dark Bronze / Black Anodized
None	Mill Aluminum

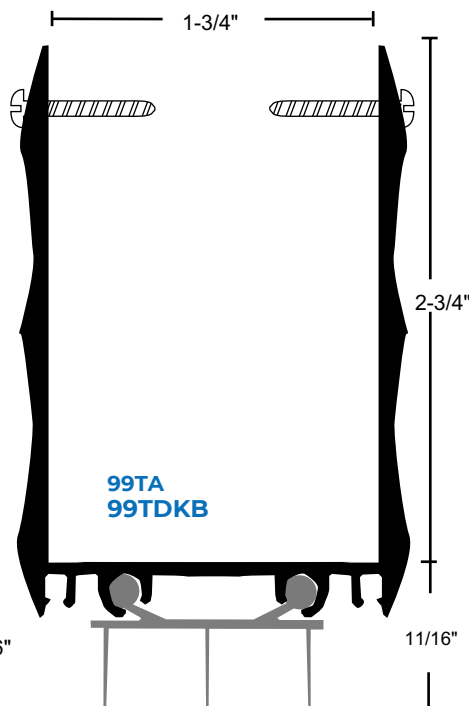
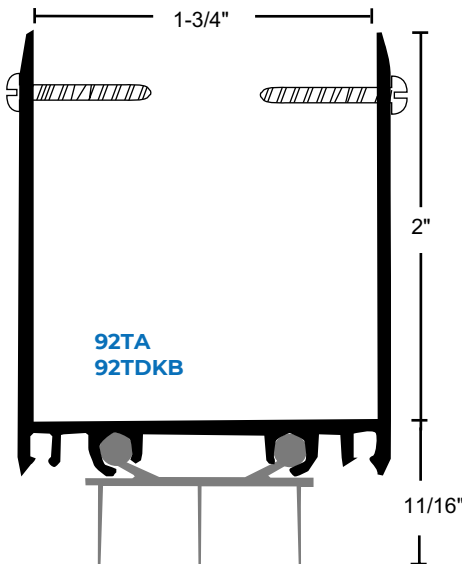
Thermoplastic is Dark Brown



EXTENDED DOOR SHOES

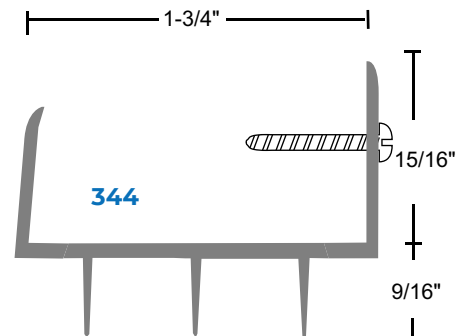


End Caps Available - Sold Separately



RIGID THERMOPLASTIC DOOR SHOE WITH SOFT VINYL FINIS

- ▶ Available 36" and 48"
- ▶ Color is Dark Brown



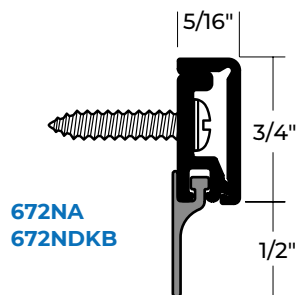
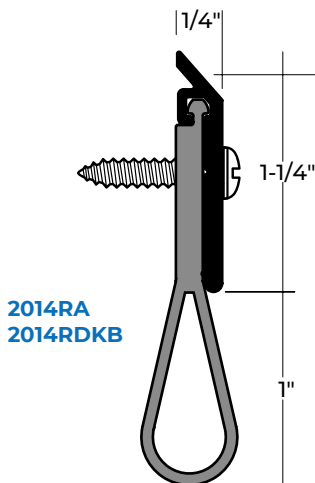
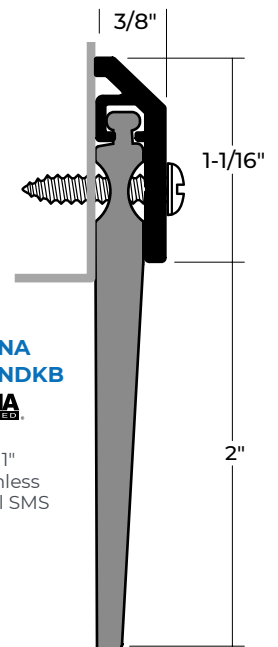
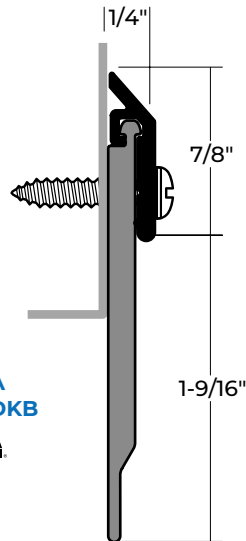
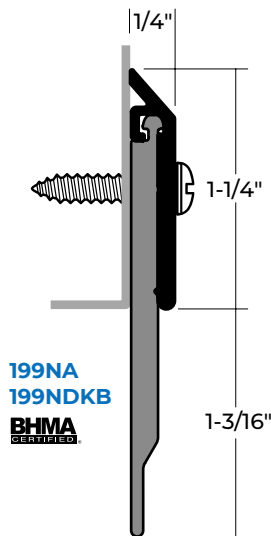
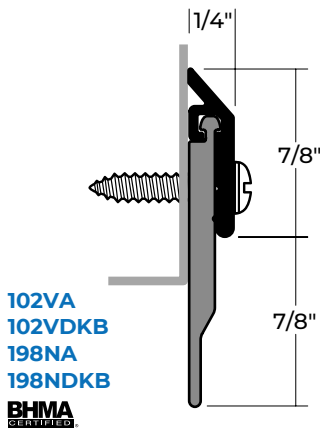
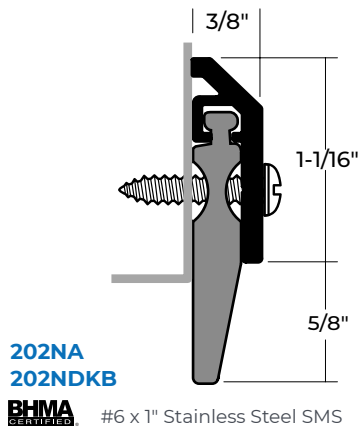
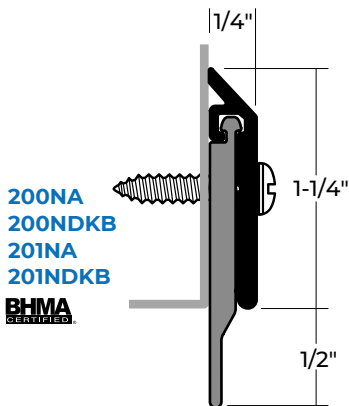
NEOPRENE AND SILICONE SWEEPS

NEOPRENE SWEEPS

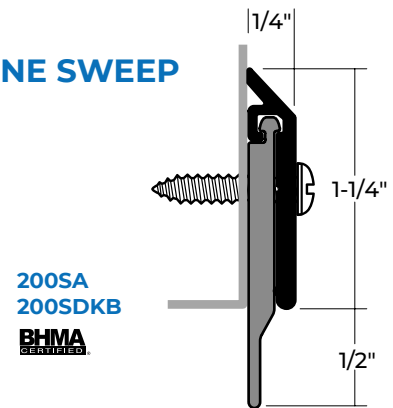
- ▶ #6 x 3/4" Stainless Steel Sheet Metal Screws Furnished
- ▶ Screw Holes Slotted for Adjustment.



*except 203N



SILICONE SWEEP



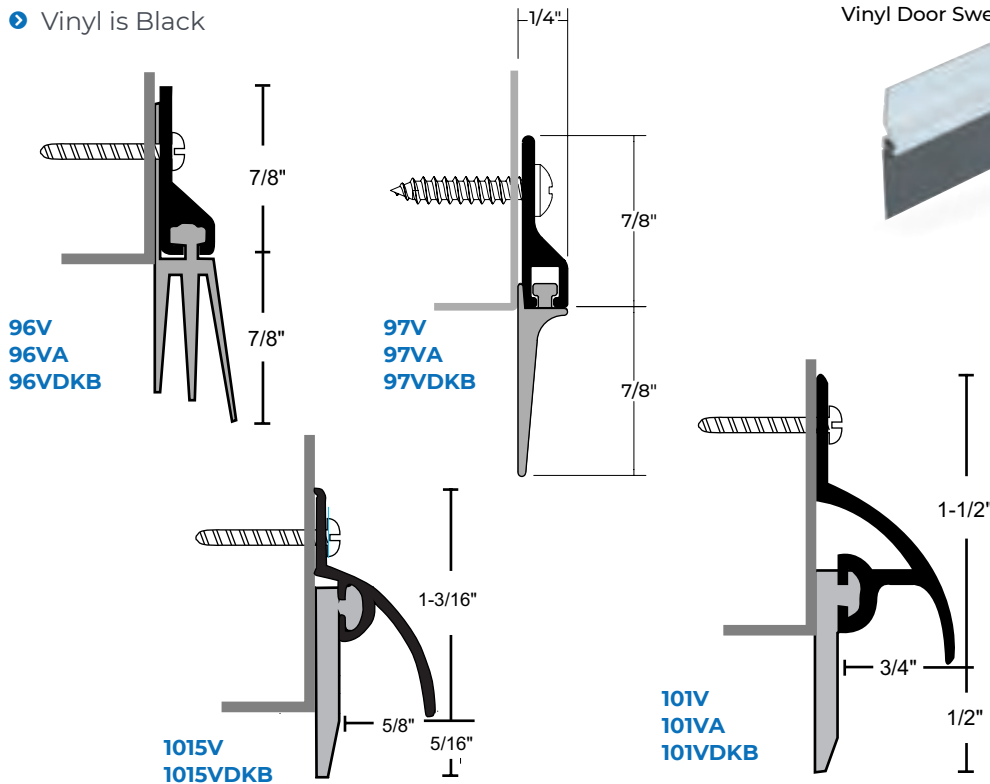
PRODUCT#	SUFFIX	FINISH
	A	Anodized Aluminum
	DKB	Dark Bronze / Black Anodized
	None	Mill Aluminum

Neoprene and Silicone are Black

VINYL SWEEPS



- ▶ #6 x 3/4" Stainless Steel SMS Furnished
- ▶ Screw Holes Slotted for Adjustment
- ▶ Vinyl is Black



97VA
Anodized Aluminum
Vinyl Door Sweep

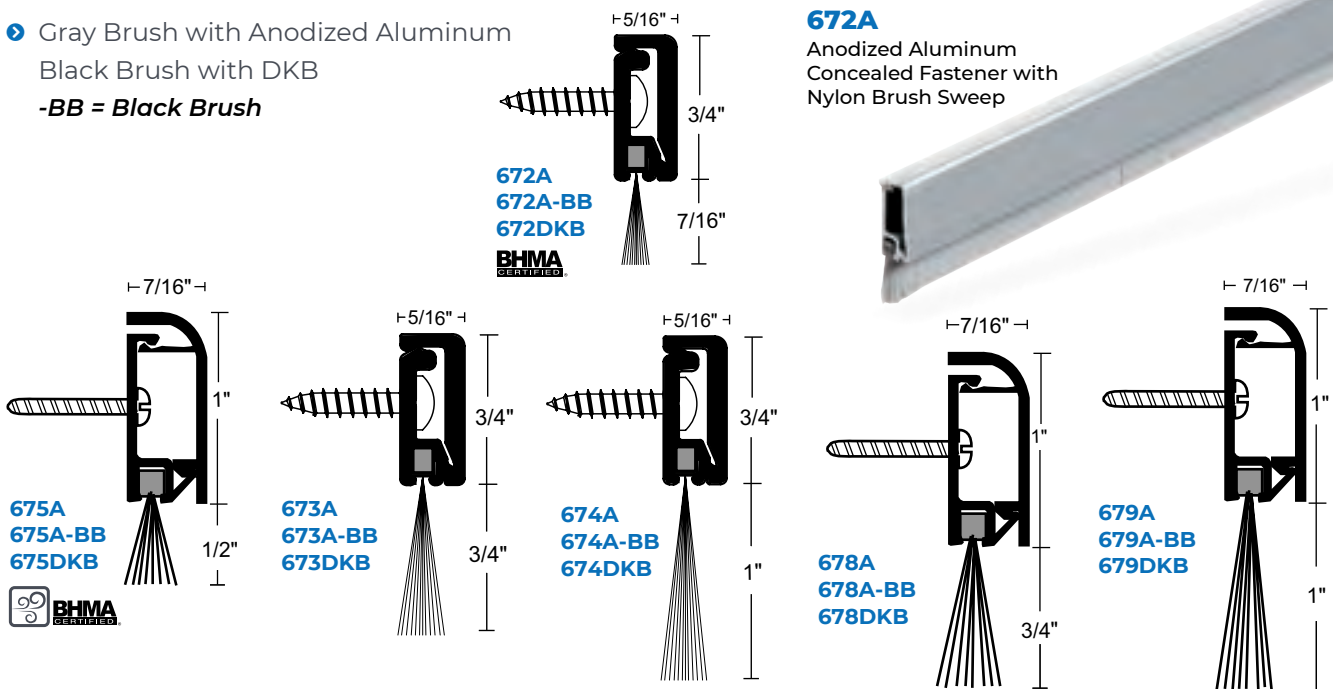
PRODUCT#	FINISH
SUFFIX	
A	Anodized Aluminum
DKB	Dark Bronze / Black Anodized
None	Mill Aluminum

-BB = Black Brush

CONCEALED FASTENER NYLON BRUSH SWEEPS



- ▶ Gray Brush with Anodized Aluminum
- ▶ Black Brush with DKB
- BB = Black Brush**



672A
Anodized Aluminum
Concealed Fastener with
Nylon Brush Sweep

NYLON BRUSH SWEEPS

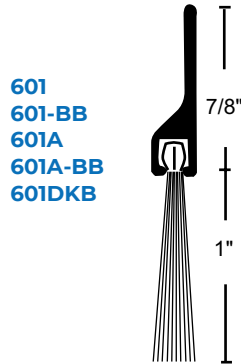
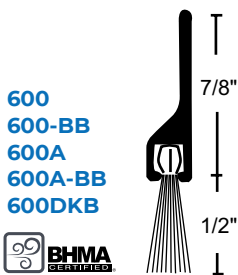
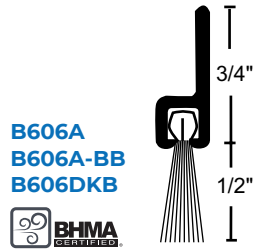
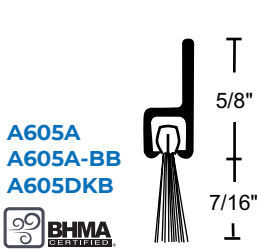
- #6 x 3/4" Stainless Steel SMS Furnished
- Screw Holes Slotted for Adjustment



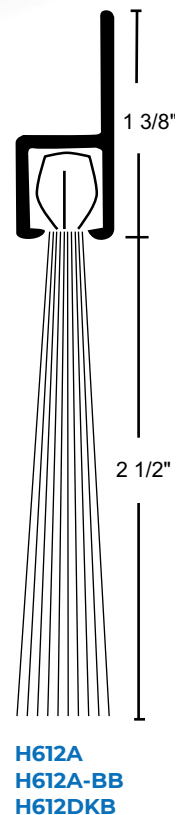
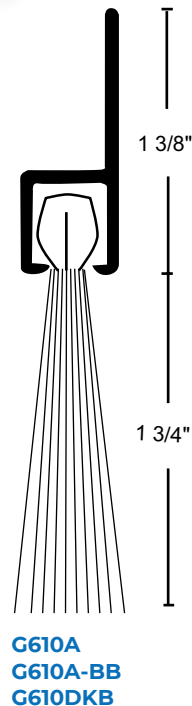
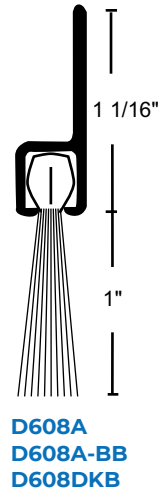
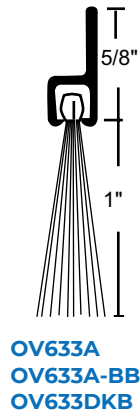
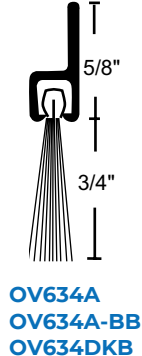
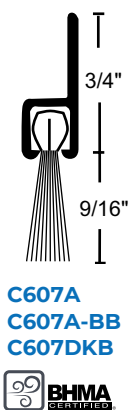
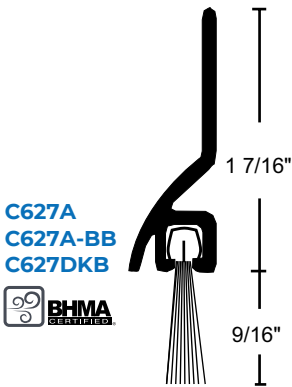
PRODUCT#	FINISH
A	Anodized Aluminum with Gray Brush*
DKB	Dark Bronze / Black Anodized with Black Brush
None	Mill Aluminum with Gray Brush

-BB = Black Brush

600A
Anodized Aluminum
Nylon Brush Seal
or Sweep



C627A
Anodized Aluminum
Nylon Brush Seal
or Sweep



NYLON BRUSH SEALS

WITH EPDM RUBBER INSERT

- ▶ EPDM Rubber Insert Protects Against Water Penetration and Provides an Effective Bottom Seal for Exterior Doors
- ▶ Excellent Abrasion Resistance, Flexibility and Memory
- ▶ Moisture-Resistant
- ▶ Retains Insecticides Well
- ▶ Temperature Range - 60°F to 300°F
- ▶ #6 x 3/4" Stainless Steel SMS Furnished
- ▶ Screw Holes Slotted for Adjustment

PRODUCT#

SUFFIX

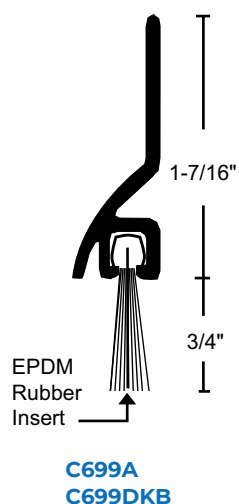
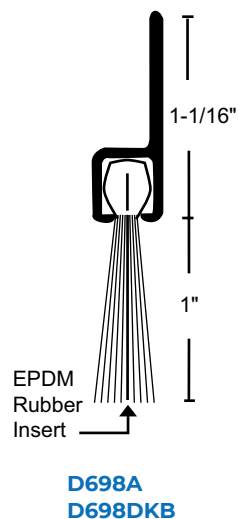
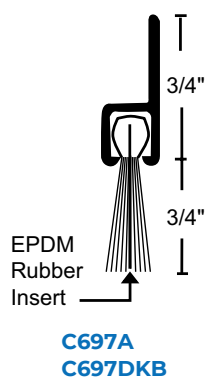
FINISH

A

Clear Anodized with Black Brush

DKB

Dark Bronze /Black Anodized with Black Brush

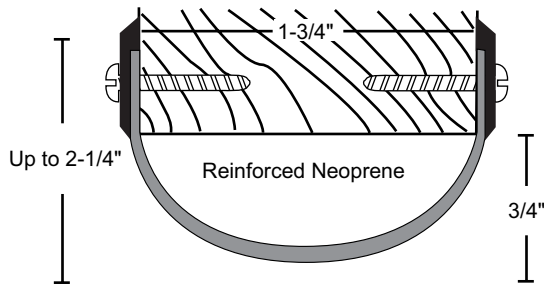


DOOR BOTTOM SEALS

- ▶ Synthetic EPDM Rubber in Polypropylene Thermoplastic Matrix
- ▶ Flame-Resistant
- ▶ Moisture-Resistant
- ▶ Good Resistance to Ozone, Sunlight and Aging

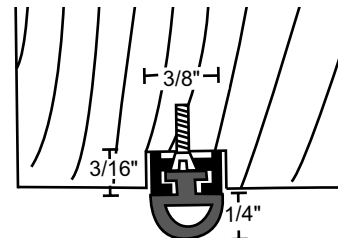
PRODUCT#	FINISH
SUFFIX	
A	Anodized Aluminum
DKB	Dark Bronze / Black Anodized
None	Mill Aluminum

Neoprene & Silicone are Black



For 1 3/4" Doors: **14RA-1 3/4"**
14RDKB-1 3/4"

For 2 1/4" Doors: **14RA-2 1/4"**
14RDKB-2 1/4"



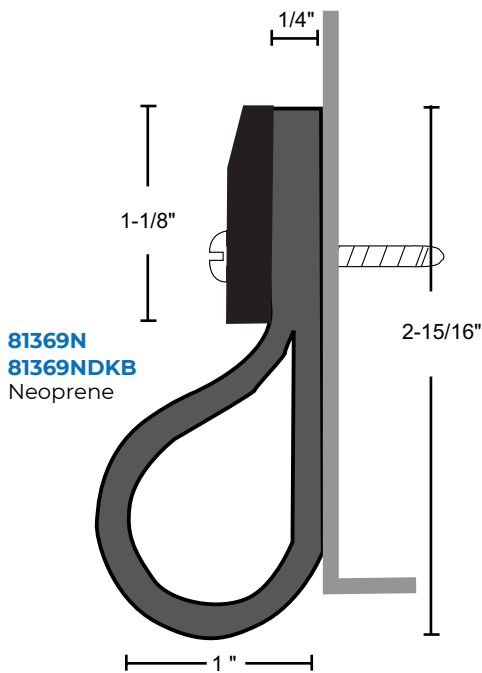
136N
136NDKB
Neoprene

136S
136SDKB
Silicone

Mortise 7/16" Wide x Desired Depth.
#2 SMS Furnished

OVERHEAD DOOR BOTTOM SEAL



81369N
81369NDKB
Neoprene

#8 x 1-1/4" Stainless Steel SMS



81369N
Mill Aluminum
Overhead Door
Bottom Seal

- ▶ Synthetic EPDM Rubber in Polypropylene Thermoplastic Matrix
- ▶ Very Good Abrasion Resistance, Tensile Strength and Memory
- ▶ Flame-Resistant
- ▶ Moisture-Resistant
- ▶ Temperature Range -81°F to 275°F
- ▶ Good Resistance to Ozone Sunlight and Aging

SMOKE-RATED ASTRAGAL SEALS



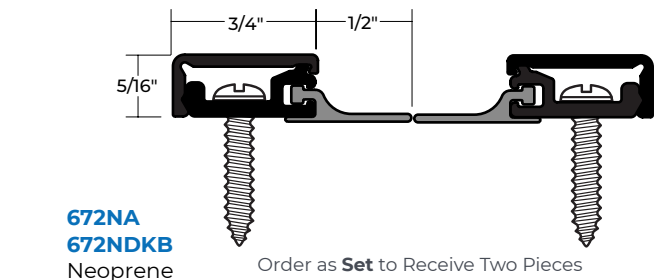
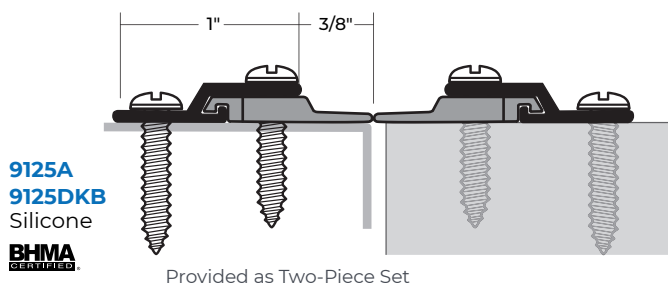
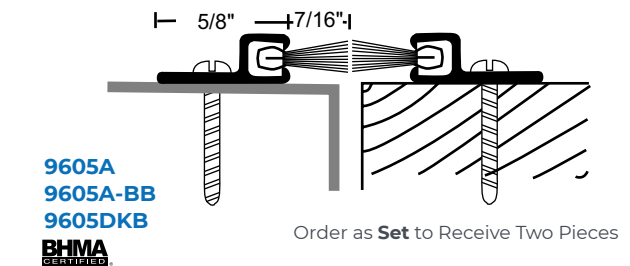
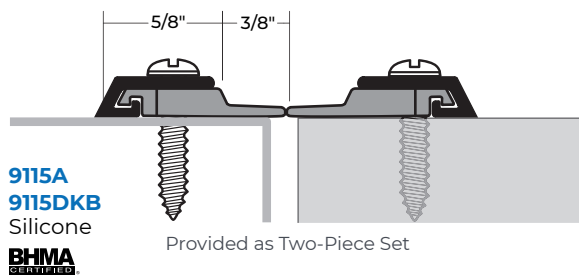
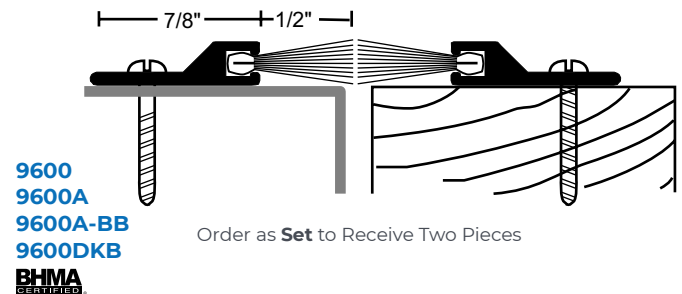
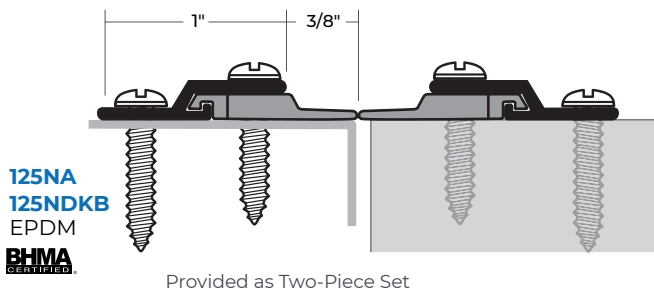
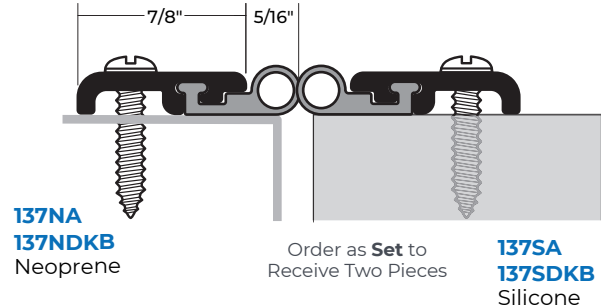
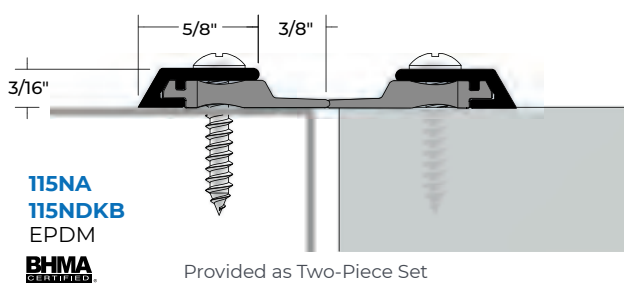
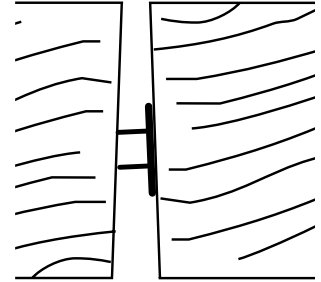
- Fire-Rated Astragal Seals Cannot Replace any Astragal Required on the Door by the Door Manufacturer to Maintain its Fire Label. IBC, NFPA 80, NFPA105, and NFPA 252 Require the Gap at the Meeting Edge Between Fire Labeled Doors Must Not Exceed 1/8"
- #6 x 3/4" Stainless Steel Sheet Metal Screws Furnished
- Screw Holes Slotted for Adjustment

METAL	EPDM	NEOPRENE	SILICONE	NYLON+
A - Anodized Aluminum	Black	Black	Black	Gray
DKB - Dark Bronze / Black Anodized	Black	Black	Black	Black
No Suffix - Mill Aluminum	Black	Black	Black	Gray

-BB = Black Brush

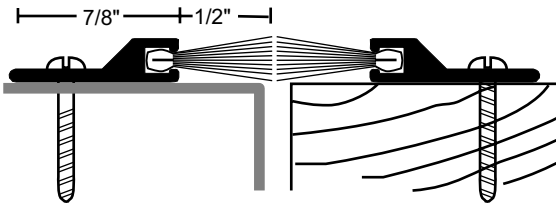
5070B Brown Self-Adhesive Silicone

5070CL Clear Self-Adhesive Silicone



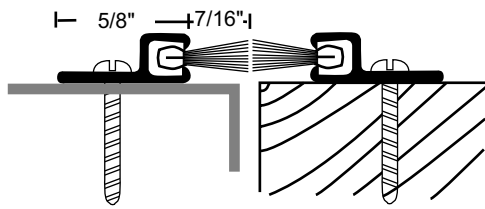
SURFACE MOUNTED ASTRAGAL SETS

- ▶ #6 x 3/4" Stainless Steel SMS Furnished
- ▶ Screw Holes are Slotted for Adjustment



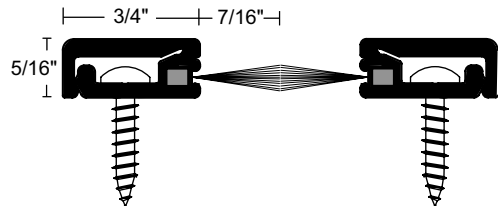
PRODUCT#	INSERT	FINISH
600	Gray Nylon Brush	Mill Al
600-BB	Black Nylon Brush	Mill Al
600A	Gray Nylon Brush	Anodized Al
600A-BB	Black Brush	Anodized Al
600DKB	Black Nylon Brush	Dark Bronze / Black Anodized

Order as **Set** to Receive Two Pieces



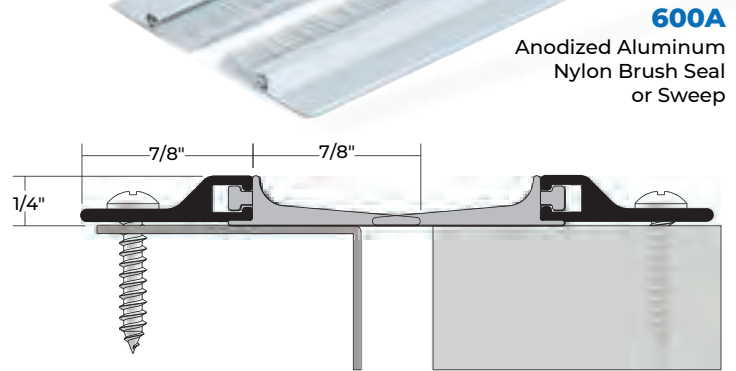
PRODUCT#	INSERT	FINISH
A605A	Gray Nylon Brush	Anodized Al
A605A-BB	Black Nylon Brush	Anodized Al
A605DKB	Black Nylon Brush	Dark Bronze / Black Anodized

Order as **Set** to Receive Two Pieces



PRODUCT#	INSERT	FINISH
672A	Gray Nylon Brush	Anodized Al
672A-BB	Black Brush	Anodized Al
672DKB	Black Nylon Brush	Dark Bronze / Black Anodized

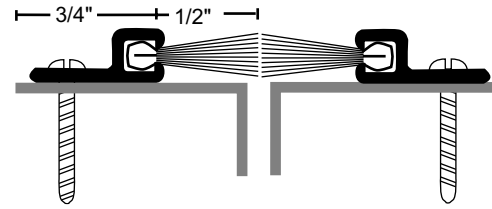
Order as **Set** to Receive Two Pieces



600A
Anodized Aluminum
Nylon Brush Seal
or Sweep

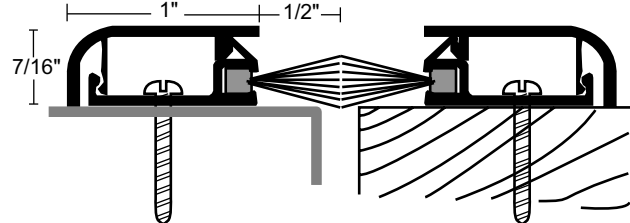
PRODUCT#	INSERT	FINISH
97V	Black Vinyl	Mill Al
97VA	Black Vinyl	Anodized Al
97VDKB	Black Vinyl	Dark Bronze / Black Anodized

Order as **Set** to Receive Two Pieces



PRODUCT#	INSERT	FINISH
B606A	Gray Nylon Brush	Anodized Al
B606A-BB	Black Nylon Brush	Anodized Al
B606DKB	Black Nylon Brush	Dark Bronze / Black Anodized

Order as **Set** to Receive Two Pieces



PRODUCT#	INSERT	FINISH
675A	Gray Nylon Brush	Anodized Al
675A-BB	Black Brush	Anodized Al
675DKB	Black Nylon Brush	Dark Bronze / Black Anodized

Order as **Set** to Receive Two Pieces

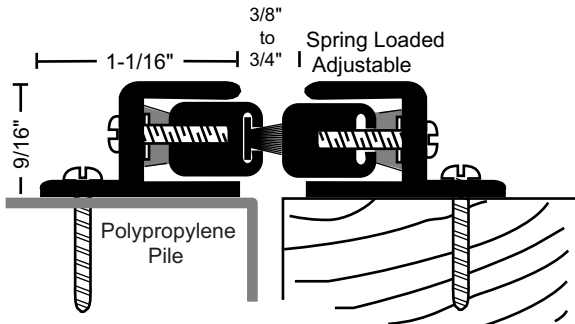
SPRING ADJUSTABLE ASTRAGAL SETS

- ▶ Adjustment Screws on 10" Centers Allow Adjustment of the Seal Without Re-Positioning Mounting Location
- ▶ Spring-Loaded to Maintain Constant Pressure for the Most Effective Seal



140PA

Anodized Aluminum
Spring Loaded Pile
Astragal

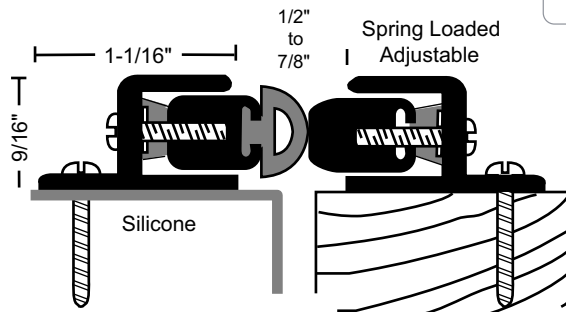


140PA
140PDKB
Pile is Gray

Provided as Two-Piece Set

PRODUCT# SUFFIX	FINISH
A	Anodized Aluminum
DKB	Dark Bronze / Black Anodized
None	Mill Aluminum

*Pile is Gray
Silicone is Black*



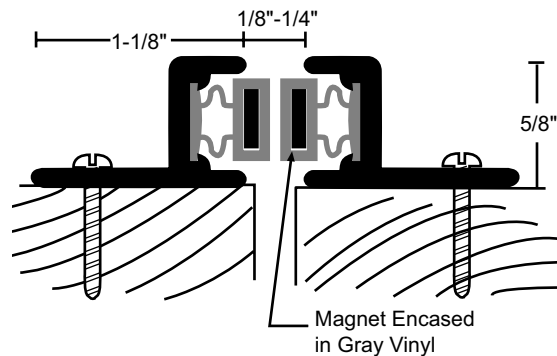
140SA
140SDKB
Silicone is Black



Provided as Two-Piece Set

MAGNETIC ASTRAGAL SETS

- ▶ #6 x 3/4" Stainless Steel SMS Furnished
- ▶ Screw Holes are Slotted for Adjustment
- ▶ Not Recommended for Use on Metal Doors

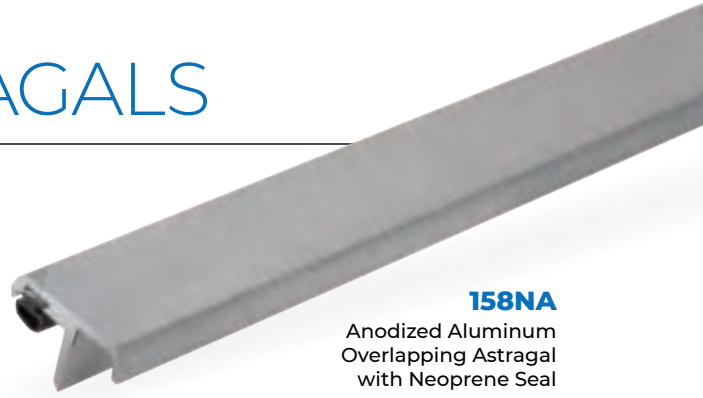
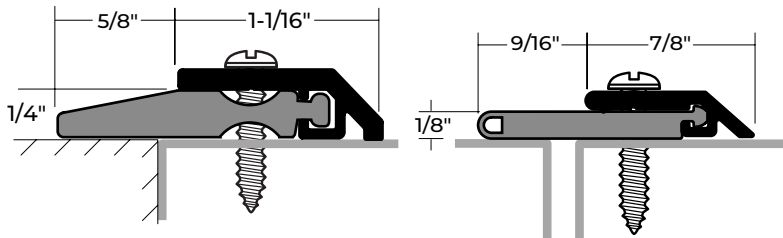


149MA
149MDKB

Provided as Two-Piece Set

Magnet Encased
in Gray Vinyl

OVERLAPPING ASTRAGALS



158NA
Anodized Aluminum
Overlapping Astragal
with Neoprene Seal

109NA
109NDKB
Neoprene

#6 x 1" & #6 x 3/4"
Stainless Steel
SMS Furnished



114NA
114NDKB
Neoprene



114SA
114SDKB
Silicone



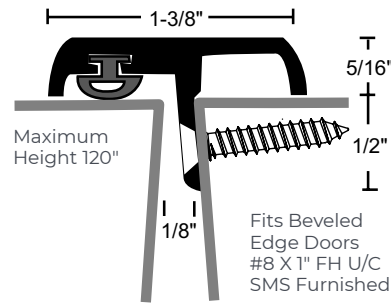
PRODUCT#	SUFFIX	FINISH
A		Anodized Aluminum
DKB		Dark Bronze / Black Anodized
None		Mill Aluminum

*Pile is Gray
Vinyl, Neoprene and
Silicone are Black*

158VA
158VDKB
Vinyl



158NA
158NDKB
Neoprene



158SA
158SDKB
Silicone

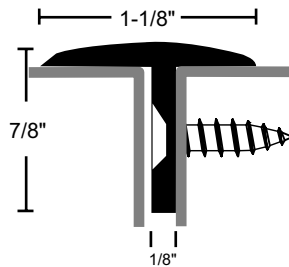


158PA
158PDKB
Polypropylene Pile

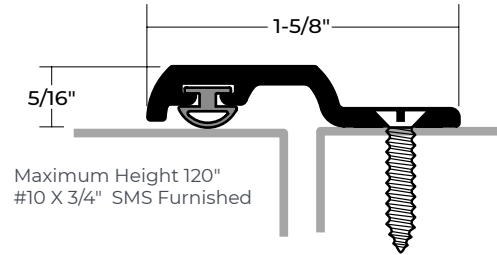


176A
176DKB

Maximum Height 120"
Fits Square Edge Doors
#10 X 3/4" SMS Furnished



178SA
178SDKB
Silicone

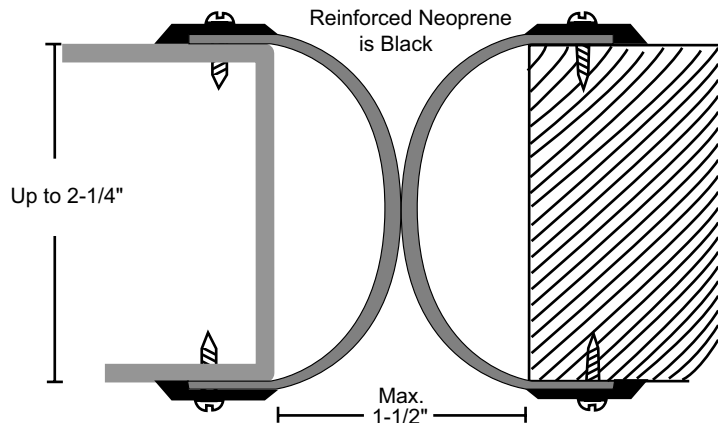


SPECIALTY ASTRAGAL

For 1 3/4" Doors:
14RA-1 3/4"
14RDKB-1 3/4"

For 2 1/4" Doors:
14RA-2 1/4"
14RDKB-2 1/4"

Order as Set to
Receive Two Pieces



SOLID METAL ASTRAGALS

- ▶ 1/16" Thick Lead Insert Available – Specify "Lead-Lined"
- ▶ Available with SNB, Specify

139SP Steel Prime Coat

139SPDKB Steel Dark Bronze



Furnished with #12 x 1 1/4" SMS.
Can Replace Astragal Required by the Door Manufacturer on Wood or Metal Fire-Rated Doors. IBC, NFPA80, NFPA 252 Require the Gap at the Meeting Edge Between Fire Labeled Doors Must Not Exceed 1/8". Astragal Must Overlap Gap and Inactive Door Minimum of 3/4".

139A Anodized Aluminum

139DKB Aluminum Dark Bronze / Black Anodized

#10 x 3/4" SMS Furnished

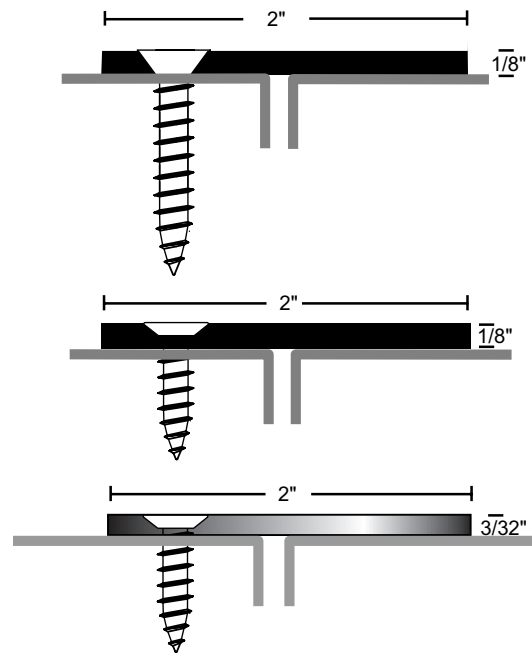
139SS Stainless Steel

Type 304 Brushed #4 Finish (US32D, 630)

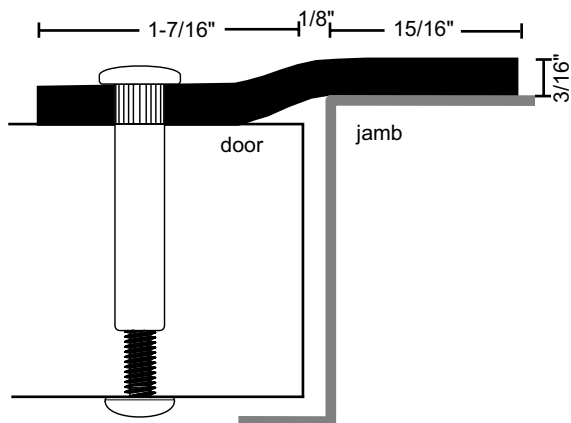
#10 x 3/4" SMS Furnished



139SP
Steel Astragal



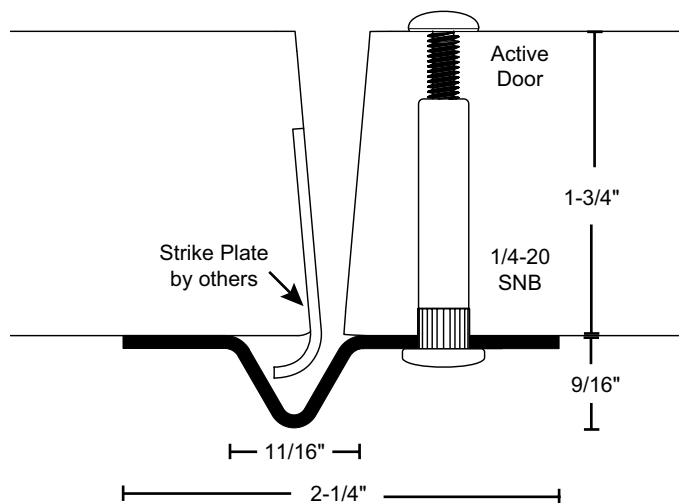
STEEL SECURITY ASTRAGALS



1392SP Steel Prime Coat



Maximum Height 120"
#1/4-20 SNB's Furnished



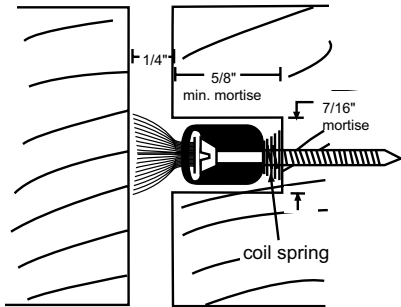
1390SP-83-1/8" 14 Ga. Galvanneal Steel

No Notching or Field Cutting
Needed for Curved Lip Strikes

1390SP-95-1/8" Prime Coat

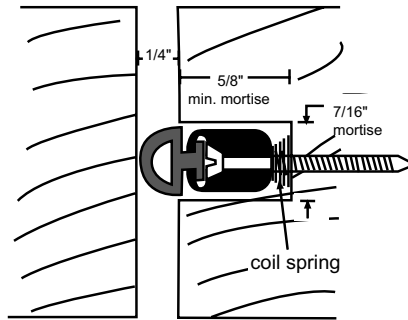


MORTISED ASTRAGALS



143PA
143PDKB
Polypropylene Pile

#6 SMS Furnished



143NA
143NDKB
Neoprene



#6 SMS Furnished

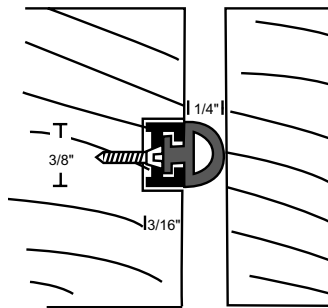
143SA
143SDKB
Silicone



143PA
Anodized Aluminum
Mortised Astragal with
Pile Seal

PRODUCT#	SUFFIX	FINISH
A		Anodized Aluminum
DKB		Dark Bronze / Black Anodized
None		Mill Aluminum

Nylon Brush and Pile are Gray
Vinyl, Neoprene and
Silicone are Black
-BB = Black Brush*



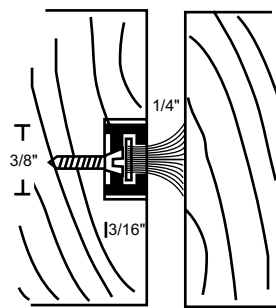
136N
136NDKB
Neoprene



136S
136SDKB
Silicone

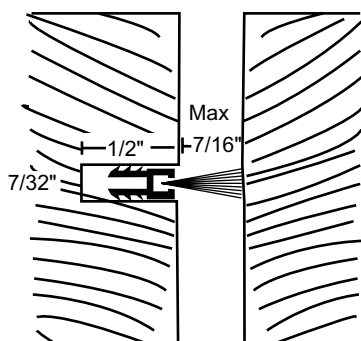


Mortise Dimensions 7/16" Wide x
Desired Depth. #2 SMS Furnished



136P
136PDKB
Polypropylene Pile

Mortise Dimensions 7/16" Wide x
Desired Depth. #2 SMS Furnished



A635
A635-BB
Nylon Brush



Mortise dimensions 7/32" x 1/2"

Order as **Set** to Receive Two Pieces
Maximum Length 108"

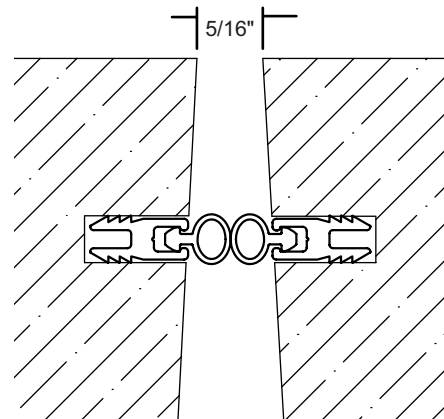
151N
Neoprene



151S
Silicone



151V
Vinyl



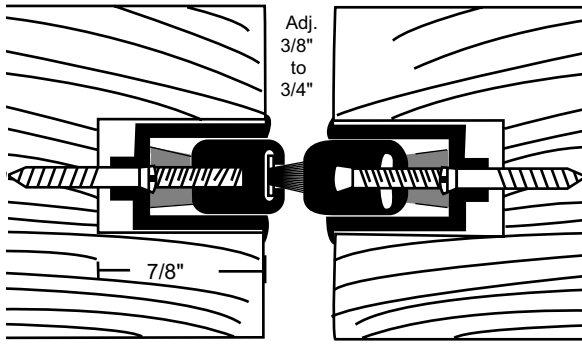
Mortise Dimensions 7/32" Wide x 1/2"
Order as **Set** to Receive Two Pieces
Maximum Length 108"

SPRING ADJUSTABLE MORTISED ASTRAGALS

- Adjustment Screws on 10" Centers Allow Adjustment of the Seal Without Repositioning Mounting Location
- Spring-Loaded to Maintain Constant Pressure for the Most Effective Seal

PRODUCT# SUFFIX	FINISH
A	Anodized Aluminum
DKB	Dark Bronze / Black Anodized

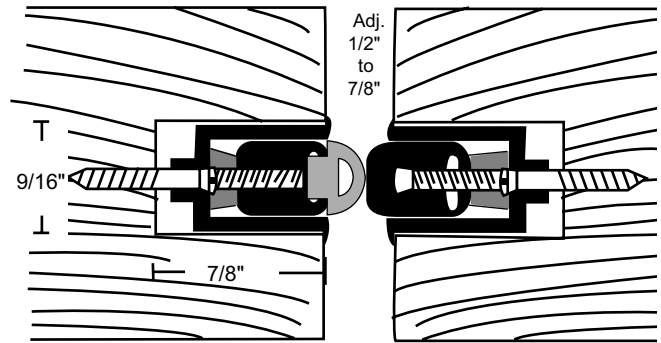
*Pile is Gray
Silicone is Black*



Spring Loaded

144PA
144PDKB
Polypropylene Pile

Mortise Dimensions $\frac{3}{16}$ " Wide x $\frac{7}{8}$ "
#8 x $\frac{3}{4}$ " SMS Furnished
Provided as Two-Piece Set



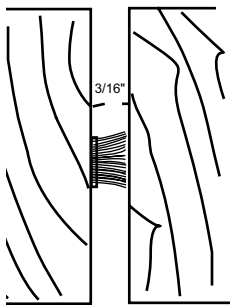
Spring Loaded

144SA
144SDKB
Silicone

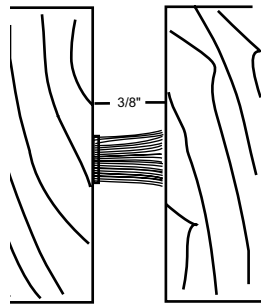


Mortise Dimensions $\frac{3}{16}$ " Wide x $\frac{7}{8}$ "
#8 x $\frac{3}{4}$ " SMS Furnished
Provided as Two-Piece Set

SELF-ADHESIVE PILE ASTRAGALS



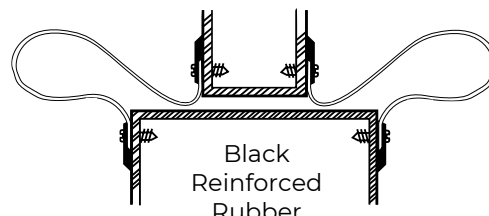
340P
Polypropylene Pile



336P
Polypropylene Pile

SAFETY SEAL FOR DOUBLE-ACTING DOORS

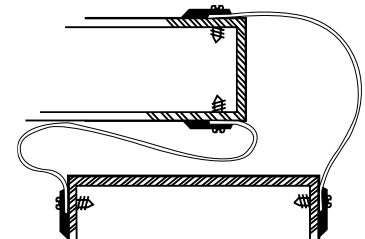
- Seals and Closes Gap at Heel of Double-Acting or Center Pivoted Doors
- #6 x $\frac{3}{4}$ " Stainless Steel Sheet Metal Screws Furnished



1000RA
1000RDKB

Black Reinforced Rubber

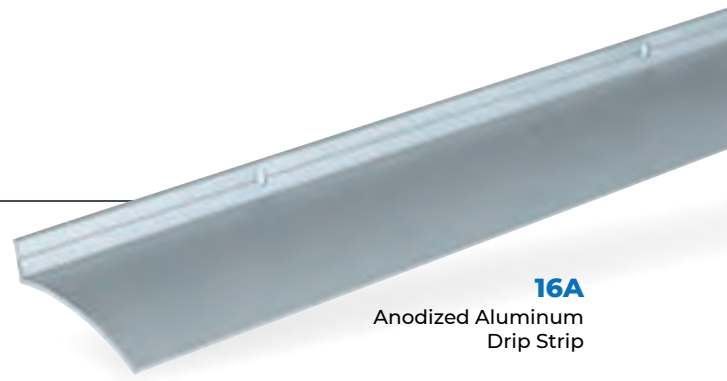
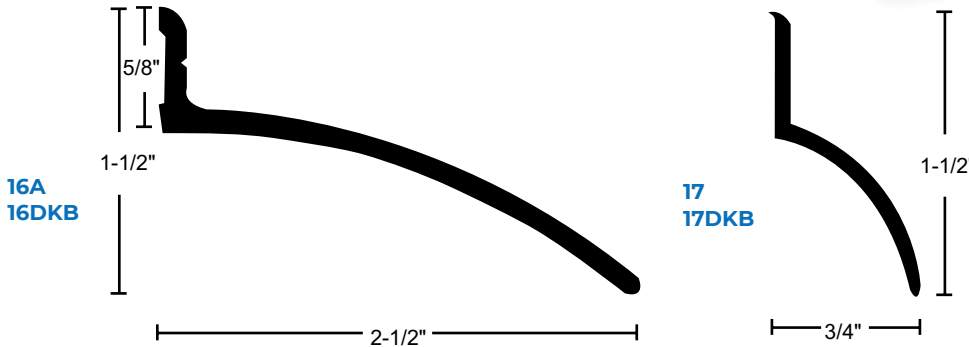
5", 10" or 16" Overall Widths Available - Specify



GUARDS / SEALS

RAIN DRIP GUARDS

- ▶ #6 x 3/4" Stainless Steel SMS Furnished

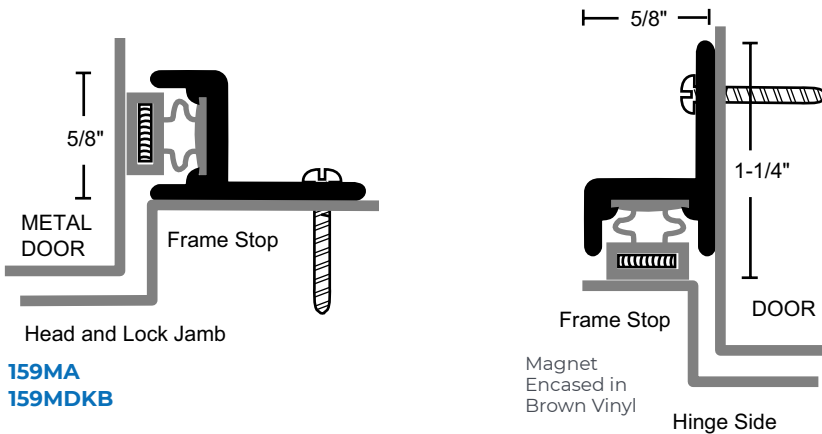


16A
Anodized Aluminum
Drip Strip

PRODUCT#	FINISH
A	Anodized Aluminum
DKB	Dark Bronze / Black Anodized
None	Mill Aluminum

MAGNETIC SEALS

- ▶ #6 x 3/4" Stainless Steel SMS Furnished
- ▶ Screw Holes Slotted for Adjustment
- ▶ Maximum Length 144"



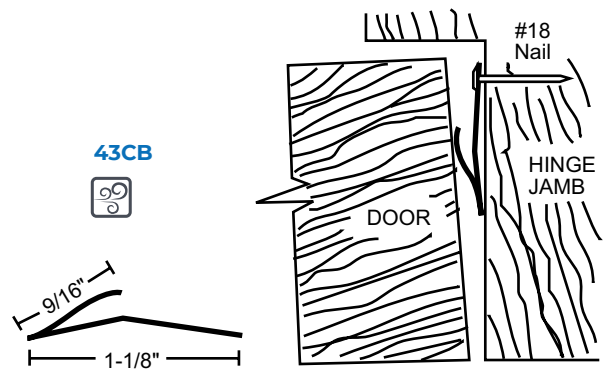
159MA
Anodized Aluminum
Magnetic Seal

159MA
159MDKB



CUSHION BRONZE WEATHERSTRIP

- ▶ Cushion Material Will Not Coil. Specify Lengths Required (36", 48", 72", 86", And 96".) Nails Not Included
- ▶ Normal Installation Requires 3/4 lb. of Nails Per 100 ft. of Weatherstrip; Install 2" O.C. Zinc Plated Bronze Finish Nails Available in 1 lb. Bags
- ▶ Wafer Head Pilot Point Drive Nails Make Excellent Applications for Metal Jambs, Normal Installation Requires 6 Per Foot
- ▶ Install Using #41 Drill Bit. Available with Fast Attach Tape - Specify X "FATT"



43CB

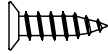
GASKETING FASTENERS



#2 x 1/2" FH
Phillips SMS



#4 x 5/8" TH
Phillips SMS
Use 5/64" Drill



#6 x 1/2" FH
Phillips SMS
Use 7/64" Drill



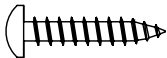
Phillips Head
Top View



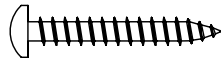
Spanner Head
Top View



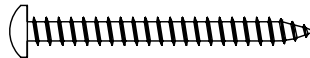
Torx Security
Top View



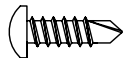
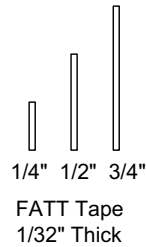
#6 x 3/4" PH
Phillips SMS
Use 7/64" Drill



#6 x 1" PH
Phillips SMS
Use 7/64" Drill



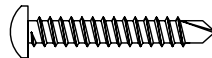
#6 x 1 1/2" PH
Phillips SMS
Use 7/64" Drill



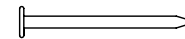
#6 x 1/2"
Phillips
TEK Screw



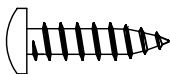
#6 x 3/4"
Phillips
TEK Screw



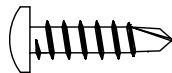
#6 x 1"
Phillips
TEK Screw



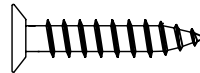
#18 x 7/8" Nail for
Spring/Cushion
Bronze Weather Strip
on Wood Jamb



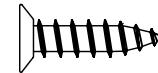
#8 x 3/4" PH
Phillips SMS
Use 9/64" Drill



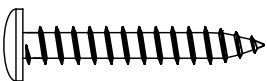
#8 x 3/4"
Phillips
TEK Screw



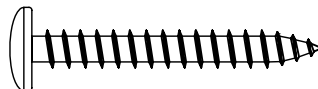
#8 x 1" FH
Phillips U/C SMS
Use 9/64" Drill



#10 x 3/4" FH
Phillips U/C SMS
Use 11/64" Drill



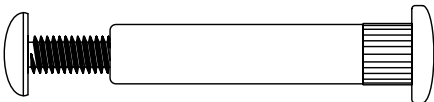
#8 x 1 1/4" TH
Phillips SMS
Use 9/64" Drill



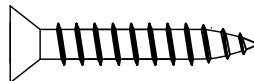
#10 x 1 1/2" TH
Phillips SMS
Use 11/64" Drill



#4 Wafer Head Drive Nail
for Spring/Cushion
Bronze Weather Strip
on Metal Jamb
Use #41 Drill Bit for Pilot Hole



#1/4 - 20 Phillips SNB



#12 x 1 1/4" FH
Phillips SMS

PH = Pan Head
FH = Flat Head
TH = Truss Head
MS = Machine Screw
SMS = Sheet Metal Screw
SNB = Sex Nut & Bolt
U/C = Undercut

NOTES

NOTES

NOTES



For the most up-to-date
Gasketing
Catalog scan the QR code
or visit ngp.com.



ngp.com
1-800-NGP-RUSH

FAX: (800) 255-7874
QUOTES: quotes@ngp.com
ORDERS: orders@ngp.com

NGP MEMPHIS
4985 East Raines Road
Memphis, TN 38118

CARSON CITY
3689 Arrowhead Drive
Carson City, NV 89706