



320V

Vinyl Automatic Door Bottom for Hollow Metal Doors

PRODUCT CUT SHEET

PROJECT:
SUBMITTED BY:
DATE:
NOTES:

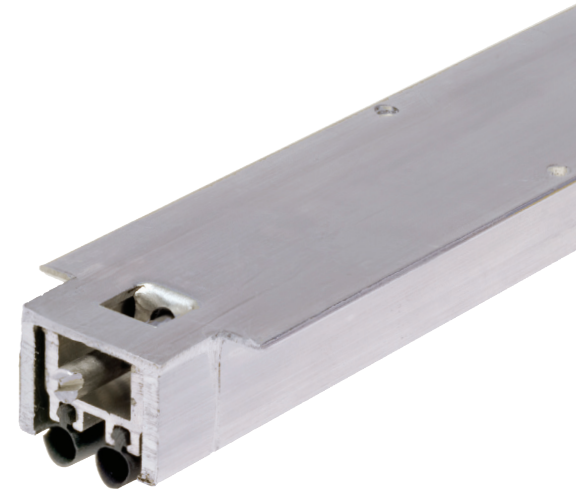
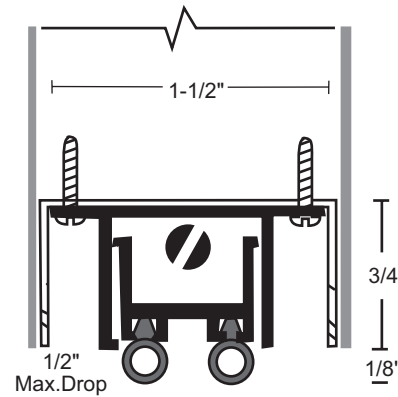
Material

Aluminum Alloy 6063, T5 Temper
Thermoplastic Polymer: Polyvinyl Chloride (PVC) Formulated With an Environmentally Friendly Bio-Based Plasticizer
Vinyl is Gray

- ▶ Economical
- ▶ Flame Resistant
- ▶ Moisture Resistant
- ▶ Temperature Range 0°F to 140°F
- ▶ Oxidative Degradation From Age and Exposure to Cold, Heat and UV Causes Hardening, Loss of Memory and Resilience, Cracking, Craziing and Discoloration
- ▶ Fits in 1 5/8" x 3/4" Channel. A "Furring Strip" May Be Used to Lower Automatic Door Bottom When a Deeper Channel is Used
- ▶ Furnished 1/2" Shorter Than Ordered to Fit Within Net Door Size. (i.e. 36" is Furnished 35 1/2") Length May Be Field Cut Up To 4"
- ▶ Fire Ratings Apply to Metal Doors Only
- ▶ #4 x 5/8" SMS Furnished
- ▶ End Caps Not Available
- ▶ Available 24" to 48" in Length
- ▶ 1/2" Max Drop

Finish

Mill Aluminum



NGP-GKT-320V-PCS-1220-A