



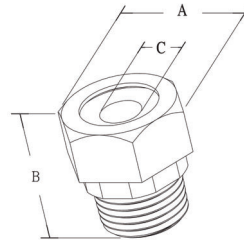
Cord Grips - Zinc Die Cast



- Use to Connect S, SD, ST, SJ, SJO and SJT Cord to a Steel Outlet Box or other Metal Enclosure
- Neoprene Grommet for a moisture proof seal
- Simple Installation, cord can be installed without disassembly of the fitting
- Liquid-tight/Oil-tight/Rain-tight
- Suitable for NEMA 4 Enclosures and other wet locations
- Male Tapered NPT Threading
- Colored Seal allows for Easy Identification

DIMENSIONS = INCHES

CAT. NO.	TRADE SIZE	INSERT COLOR	CABLE RANGE			OVERALL DIM.		INNER BOX	OUTER BOX
			C	A	B	A	B		
15450	1/2"	RED	.190 - .260	1.22	1.14	25	250		
15451	1/2"	BLUE	.260 - .375	1.22	1.14	25	250		
15452	1/2"	GREEN	.375 - .500	1.22	1.14	25	250		
15453	3/4"	GREEN	.375 - .500	1.34	1.20	25	250		
15454	3/4"	BROWN	.500 - .625	1.34	1.20	25	250		
15455	3/4"	ORANGE	.625 - .725	1.34	1.20	25	250		
15457	1"	BROWN	.500 - .650	1.42	1.69	10	100		
15458	1"	ORANGE	.625 - .750	1.42	1.69	10	100		
15459	1"	BLACK	.750 - .880	1.42	1.69	10	100		
15460	1"	PURPLE	.880 - .985	1.42	1.69	10	100		

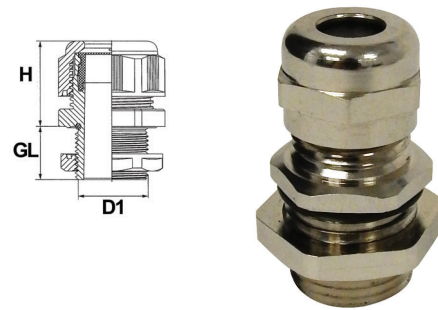


Metal Cable Glands - NPT Thread

- Used to introduce cables or leads into metal housings, or to introduce reinforced cables
- Designed for use in areas of zone I(2G) and 2I(ID) with no risk of explosion and for cables with and without reinforcement
- In case of systems or housing manufactured according to NEC, the line or the connecting cable must be introduced by conduits, mounting fittings, etc. with NPT threads
- Working Temp: -40°F to 212°F
- Brass Nickel Plated
- IP 68 (NEMA 6P) rated - Submersible & Dustproof

DIMENSIONS = INCHES

CAT. NO.	CABLE RANGE	DIMENSIONS			INNER BAG QTY	OUTER BOX QTY
		DI THREAD	GL (INCHES)	H (INCHES)		
22600	.16" - .32"	3/8"	.59	.83	100	1,500
22601	.24" - .48"	1/2"	.51	.94	100	800
22602	.40" - .55"	1/2"	.51	.94	50	600
22603	.51" - .71"	3/4"	.51	.98	50	500
22604	.71" - .99"	1"	.67	1.14	25	400



Metal Cable Glands - Metric Thread

- Cable Glands with Metric threads are now standard and replacements for the PG Cable Glands
- Used to introduce cables or leads into metal housings or to introduce reinforced cables
- Designed for use in areas of zone I(2G), and 2I(ID) with no risk of explosion and for cables with and without reinforcement
- Working Temp: -40°F to 212°F
- Brass Nickel Plated
- IP 68 (NEMA 6P) rated - Submersible & Dustproof

DIMENSIONS = INCHES

CAT. NO.	CABLE RANGE	DIMENSIONS			INNER BAG QTY	OUTER BOX QTY
		DI THREAD	GL (INCHES)	H (INCHES)		
22590	.12" - .26"	M12	.26	.75	100	2,000
22591	.16" - .32"	M16	.24	.83	100	1,500
22592	.20" - .40"	M16	.24	.83	100	1,000
22593	.24" - .48"	M20	.24	.91	100	800
22594	.40" - .55"	M20	.24	.91	50	600
22595	.51" - .71"	M25	.28	1.02	50	500
22596	.71" - .99"	M32	.31	1.22	20	400
22597	.87" - 1.26"	M40	.31	1.46	10	160
22598	1.26" - 1.50"	M50	.35	1.46	10	120
22599	1.46" - 1.73"	M63	.39	1.50	10	80

