



Aluminum Combination Conduit Bodies T Type



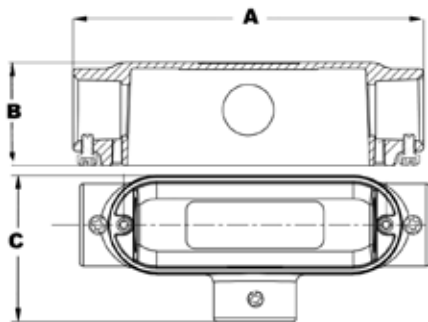
Conduit Bodies



To Provide Access to Conductors for Pulling, Splicing, and Maintenance. For Rigid, IMC & EMT Conduit

- Threaded for Rigid & IMC Conduits
- Set Screw for EMT Conduit
- RainTight when used with Gasketed Covers
- Die-Cast from High-Strength, Corrosion and Weather Resistant Copper Free Aluminum Alloy
- Flat Back Design for easy mounting close to walls

DIMENSIONS = INCHES



| CAT. NO. | TRADE SIZE | DIMENSIONS-T SERIES | | | BOX QTY |
|------------------------------|------------|---------------------|------|------|---------|
| | | A | B | C | |
| I4252 | 1/2" | 4.72 | 1.36 | 2.03 | 50 |
| I4253 | 3/4" | 5.51 | 1.63 | 2.30 | 50 |
| I4254 | 1" | 6.46 | 1.89 | 2.68 | 25 |
| I4255 | 1-1/4" | 8.35 | 2.50 | 3.52 | 10 |
| I4256 | 1-1/2" | 8.35 | 2.50 | 3.52 | 10 |
| I4257 | 2" | 10.55 | 3.41 | 4.27 | 10 |
| WITH COVER AND GASKET | | | | | |
| I4258 | 1/2" | 4.72 | 1.36 | 2.03 | 50 |
| I4259 | 3/4" | 5.51 | 1.63 | 2.30 | 50 |
| I4260 | 1" | 6.46 | 1.89 | 2.68 | 25 |
| I4261 | 1-1/4" | 8.35 | 2.50 | 3.52 | 10 |
| I4262 | 1-1/2" | 8.35 | 2.50 | 3.52 | 10 |
| I4263 | 2" | 10.55 | 3.41 | 4.27 | 10 |

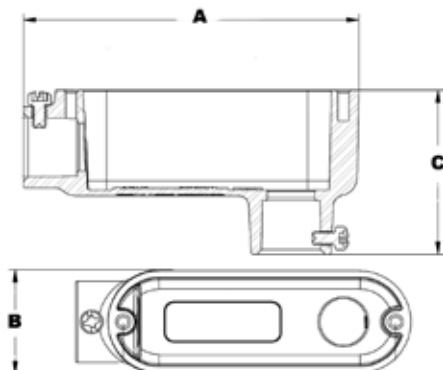
Aluminum Combination Conduit Bodies LB Type



To Provide Access to Conductors for Pulling, Splicing, and Maintenance. For Rigid, IMC & EMT Conduit

- Threaded for Rigid & IMC Conduits
- Set Screw for EMT Conduit
- RainTight when used with Gasketed Covers
- Die-Cast from High-Strength, Corrosion and Weather Resistant Copper Free Aluminum Alloy
- Flat Back Design for easy mounting close to walls

DIMENSIONS = INCHES



| CAT. NO. | TRADE SIZE | DIMENSIONS-LB SERIES | | | BOX QTY |
|------------------------------|------------|----------------------|------|------|---------|
| | | A | B | C | |
| I4240 | 1/2" | 4.31 | 1.34 | 2.09 | 50 |
| I4241 | 3/4" | 5.08 | 1.56 | 2.39 | 50 |
| I4242 | 1" | 5.92 | 1.82 | 2.78 | 25 |
| I4243 | 1-1/4" | 7.82 | 2.51 | 3.52 | 10 |
| I4244 | 1-1/2" | 7.82 | 2.51 | 3.52 | 10 |
| I4245 | 2" | 10.05 | 3.19 | 4.51 | 10 |
| WITH COVER AND GASKET | | | | | |
| I4246 | 1/2" | 4.31 | 1.34 | 2.09 | 50 |
| I4247 | 3/4" | 5.08 | 1.56 | 2.39 | 50 |
| I4248 | 1" | 5.92 | 1.82 | 2.78 | 25 |
| I4249 | 1-1/4" | 7.82 | 2.51 | 3.52 | 10 |
| I4250 | 1-1/2" | 7.82 | 2.51 | 3.52 | 10 |
| I4251 | 2" | 10.05 | 3.19 | 4.51 | 10 |