



Wiring Devices

GFCI



Tamper Resistant: 15 & 20 Amp

Tamper & Weather Resistant: 15 & 20 Amp



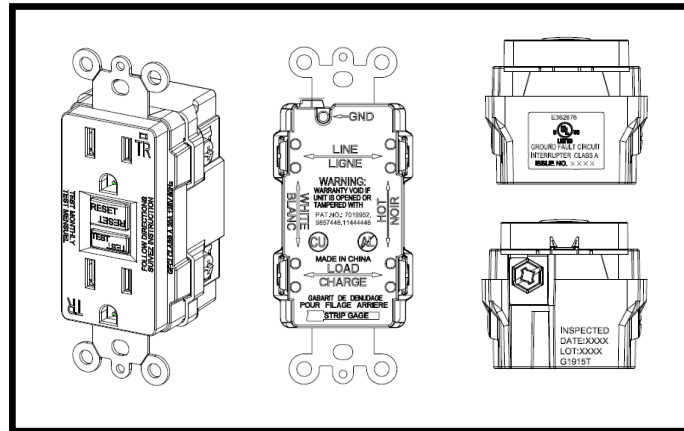
A



B



B Side View



<u>Amps</u>	<u>Part No.</u>	<u>Receptacle Type</u>	<u>Color</u>	<u>Voltage</u>	<u>Pass Through Amps</u>	<u>NEMA Type</u>	<u>Image</u>
15	GFI-15TR-W	Tamper Resistant	White	125	20	5-15R	A
15	GFI-15TR-I	Tamper Resistant	Ivory	125	20	5-15R	A
15	GFI-15TR-A	Tamper Resistant	Light Almond	125	20	5-15R	A
15	GFI-15TWR-W	Tamper Resistant & Weather Resistant	White	125	20	5-15R	B

Technical Data:

- Self-Testing Every 5 Seconds
- Uses a Green LED Status Indicator
- cULus Listed
- Side and Back Wiring
- Compact Design
- Trip Level: 4Ma-6Ma



Wiring Devices

GFCI



Tamper Resistant: 15 & 20 Amp

Tamper & Weather Resistant: 15 & 20 Amp



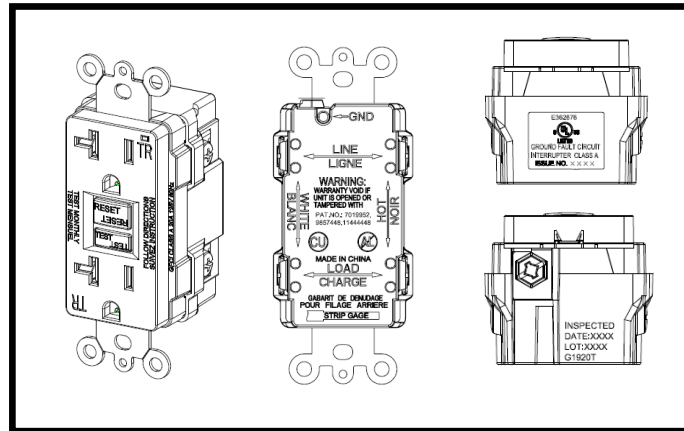
C



D



D Side View



<u>Amps</u>	<u>Part No.</u>	<u>Receptacle Type</u>	<u>Color</u>	<u>Voltage</u>	<u>Pass Through Amps</u>	<u>NEMA Type</u>	<u>Image</u>
20	GFI-20TR-W	Tamper Resistant	White	125	20	5-20R	C
20	GFI-20TR-I	Tamper Resistant	Ivory	125	20	5-20R	C
20	GFI-20TR-A	Tamper Resistant	Light Almond	125	20	5-20R	C
20	GFI-20TWR-W	Tamper Resistant & Weather Resistant	White	125	20	5-20R	D

Technical Data:

- Self-Testing Every 5 Seconds
- Uses a Green LED Status Indicator
- cULus Listed
- Side and Back Wiring
- Compact Design
- Trip Level: 4Ma-6Ma