



Catalog Number See Table
UPC Number
Description Aluminum Parallel Groove Clamp
 #10 - 400 MCM

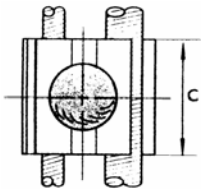


- Features**
- Manufactured from Thermally Treated Extruded Aluminum Alloy
 - Steel Galvanized Set Screws
 - Feed /Tap Configuration for Low Voltage Power Distribution

General

Material Extruded Aluminum Alloy
 Screw Type Galvanized Steel
 Screw Thread
 Wire Range #10 awg - 400 MCM

Dimension Information
 See Table



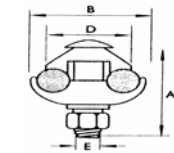
Specifications

Temperature Rating
 Voltage Rating 600
 Flammability Rating
 Amp Rating

Packaging
 Box Qty See Table

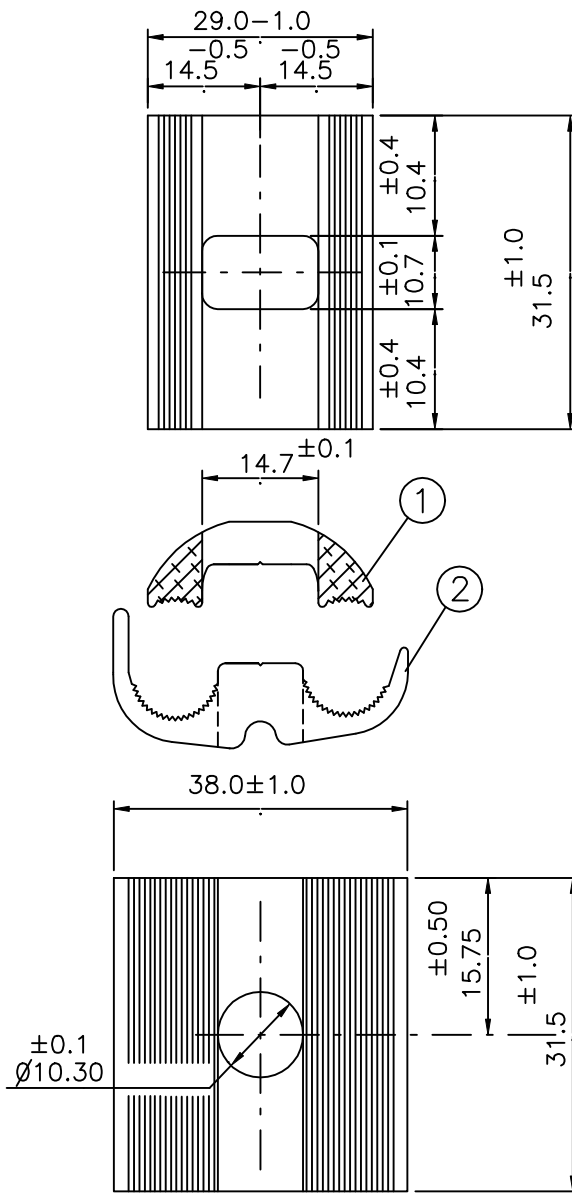
Certifications

UL N/A
 cUL N/A
 RoHS N/A

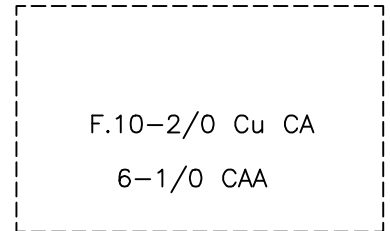


Cat No.	Figure	Main			Tap			Inches					Box Qty
		CU-AL	ACSR	Wire Diameter	Cu-AL	ACSR	Wire Diameter	A	B	C	D	E	
96012	1	10-1/0	6-1/0	.102-.398	10-2	6-2	.102-.325	1.5	1.5	1.24	1.14	0.394	50
96016	1	10-2/0	6-1/0	.098-.417	10-2/0	6-1/0	.098-.417	1.5	1.5	1.24	1.14	0.394	50
96020	1	1/0-4/0	1/0-4/0	.373-.563	8-1/0	6-1/0	.128-.398	1.97	1.89	1.46	1.5	0.394	50
96024	1	1/0-397.5	1/0-336.4	.373-.720	6/2/0	6-1/0	.162-.417	2.36	2.24	1.67	1.67	0.394	50
96028	1	397.5-400	397.5	.728-.740	397.5-400	397.5	.728-.740	2.36	2.56	1.57	1.97	0.472	50

REF: NORMAL



MARKING



TORQUE: 3 daN.m

Conectors are Prefilled with antioxide compound and packed in individual plastic bags.

DIMENSIONS IN mm

05	Pressure Washer 3/8" or M10	01	STEEL SAE 1060/1070 Hot Galvanized		
04	Hex Nut 3/8" BSW or M10	01	STEEL SAE 1010/1020 Hot Galvanized		
03	Round Head Bolt 3/8" BSW x 1.1/2" or M10x1.5x38.00	01	STEEL SAE 1010/1020 Hot Galvanized		
02	Upper Body	01	Aluminum alloy		
01	Lower Body	01	Aluminum alloy		
ITEM	DENOMINATION	QTY	MATERIAL	P.L.	P.B.

Morris Products Inc.
53 Carey Rd.
Queensbury, NY 12804

03	30/03/99	
02	02/05/95	
01	07/04/92	
No	Date	

Date
30/03/99
No
96016

Revisions	Appv'l		30/03/99	01	DE: 01
-----------	--------	--	----------	----	--------