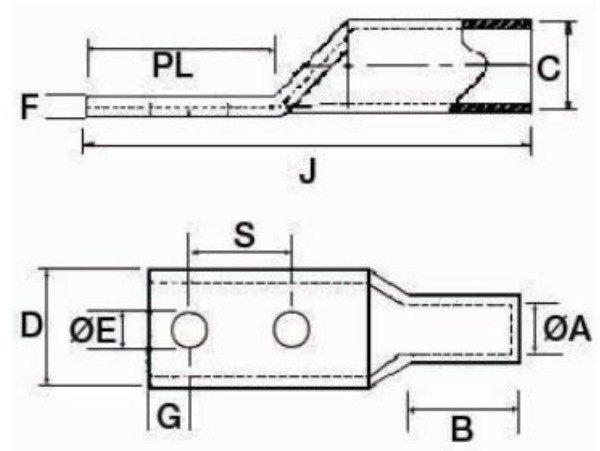




MORRIS CAT#: 94310-94563

Copper Long Barrel 2 Hole Compression Lugs



Features:

- High Conductivity Seamless Copper
- Electro-Tin Plating Resists Corrosion, Reduces Contact Resistance for Maximum Conductivity
- Dual Mounting Holes
- Long Barrel Accommodates Multiple Crimps
- Color Coded Die Index and Crimp Marks Printed on Barrel
- UL 486A Listed for Applications Thru 35KV



MORRIS CAT#: 94310-94563

Copper Long Barrel 2 Hole Compression Lugs



DIMENSIONS - INCHES

| CAT. NO. | WIRE RANGE | STUD SIZE | HOLE SPACING | COLOR | A | C | J | B | D | F | E | G | PL | S | BOX QTY |
|----------|------------|-----------|--------------|--------|------|------|------|------|-----|-----|-----|-----|------|------|---------|
| 94545 | 8 STR. | #8 | 3/4 | RED | .172 | .272 | 2.32 | .75 | .42 | .08 | .16 | .28 | 1.25 | .75 | 45 |
| 94310 | 8 STR. | #10 | 5/8 | RED | .172 | .272 | 2.32 | .75 | .42 | .08 | .21 | .28 | 1.25 | .63 | 45 |
| 94546 | 8 STR. | #10 | 3/4 | RED | .172 | .272 | 2.32 | .75 | .42 | .08 | .21 | .28 | 1.25 | .75 | 45 |
| 94312 | 8 STR. | 1/4 | 5/8 | RED | .172 | .272 | 2.32 | .75 | .42 | .08 | .25 | .28 | 1.25 | .63 | 45 |
| 94547 | 8 STR. | 1/4 | 3/4 | RED | .172 | .272 | 2.32 | .75 | .42 | .08 | .25 | .28 | 1.25 | .75 | 45 |
| 94548 | 8 STR. | 1/4 | I | RED | .172 | .272 | 2.32 | .75 | .42 | .08 | .25 | .28 | 1.25 | 1.00 | 45 |
| 94549 | 8 STR. | 3/8 | 3/4 | RED | .172 | .272 | 2.32 | .75 | .56 | .08 | .41 | .28 | 1.25 | .75 | 45 |
| 94314 | 8 STR. | 3/8 | I | RED | .172 | .272 | 2.32 | .75 | .56 | .08 | .41 | .28 | 1.25 | 1.00 | 45 |
| 94553 | 6 STR. | #10 | 5/8 | BLUE | .205 | .295 | 2.68 | 1.12 | .42 | .08 | .21 | .32 | 1.25 | .63 | 35 |
| 94315 | 6 STR. | 1/4 | 1/2 | BLUE | .205 | .295 | 2.68 | 1.12 | .42 | .08 | .25 | .32 | 1.25 | .50 | 35 |
| 94316 | 6 STR. | 1/4 | 5/8 | BLUE | .205 | .295 | 2.68 | 1.12 | .42 | .08 | .25 | .32 | 1.25 | .63 | 35 |
| 94317 | 6 STR. | 1/4 | 3/4 | BLUE | .205 | .295 | 2.68 | 1.12 | .42 | .08 | .25 | .32 | 1.25 | .75 | 35 |
| 94554 | 6 STR. | 1/4 | I | BLUE | .205 | .295 | 2.68 | 1.12 | .42 | .08 | .25 | .32 | 1.25 | 1.00 | 35 |
| 94555 | 6 STR. | 5/16 | I | BLUE | .205 | .295 | 2.68 | 1.12 | .42 | .08 | .33 | .32 | 1.25 | 1.00 | 35 |
| 94556 | 6 STR. | 3/8 | 3/4 | BLUE | .205 | .295 | 2.68 | 1.12 | .42 | .08 | .41 | .41 | 1.25 | .75 | 35 |
| 94557 | 6 STR. | 3/8 | 7/8 | BLUE | .205 | .295 | 2.68 | 1.12 | .42 | .08 | .41 | .41 | 1.25 | .87 | 35 |
| 94319 | 6 STR. | 3/8 | I | BLUE | .205 | .295 | 2.68 | 1.12 | .42 | .08 | .41 | .41 | 1.81 | 1.00 | 35 |
| 94320 | 6 STR. | 1/2 | 1-3/4 | BLUE | .205 | .295 | 2.68 | 1.12 | .42 | .08 | .51 | .41 | 1.81 | 1.75 | 35 |
| 94323 | 4 STR. | 1/4 | 3/4 | GRAY | .250 | .344 | 2.76 | 1.12 | .49 | .09 | .25 | .32 | 1.25 | .75 | 25 |
| 94324 | 4 STR. | 1/4 | 5/8 | GRAY | .250 | .344 | 2.76 | 1.12 | .49 | .09 | .25 | .32 | 1.25 | .63 | 25 |
| 94559 | 4 STR. | 1/4 | I | GRAY | .250 | .344 | 2.76 | 1.12 | .49 | .09 | .25 | .32 | 1.25 | 1.00 | 25 |
| 94325 | 4 STR. | 5/16 | I | GRAY | .250 | .344 | 2.76 | 1.12 | .49 | .09 | .33 | .32 | 1.25 | 1.00 | 30 |
| 94327 | 4 STR. | 3/8 | I | GRAY | .250 | .344 | 2.76 | 1.12 | .56 | .09 | .41 | .41 | 1.80 | 1.00 | 30 |
| 94326 | 4 STR. | 1/2 | 1-3/4 | GRAY | .250 | .344 | 2.76 | 1.12 | .70 | .09 | .51 | .55 | 2.99 | 1.75 | 30 |
| 94328 | 2 STR. | 1/4 | 5/8 | BROWN | .315 | .422 | 3.27 | 1.25 | .60 | .10 | .25 | .32 | 1.62 | .63 | 30 |
| 94329 | 2 STR. | 1/4 | 3/4 | BROWN | .315 | .422 | 3.27 | 1.25 | .60 | .10 | .25 | .32 | 1.62 | .75 | 30 |
| 94330 | 2 STR. | 5/16 | 3/4 | BROWN | .315 | .422 | 3.27 | 1.25 | .60 | .10 | .33 | .32 | 1.62 | .75 | 30 |
| 94332 | 2 STR. | 5/16 | 7/8 | BROWN | .315 | .422 | 3.27 | 1.25 | .60 | .10 | .33 | .32 | 1.62 | .87 | 20 |
| 94333 | 2 STR. | 3/8 | I | BROWN | .315 | .422 | 3.27 | 1.25 | .60 | .10 | .41 | .41 | 1.62 | 1.00 | 20 |
| 94334 | 2 STR. | 1/2 | 1-3/4 | BROWN | .315 | .422 | 3.27 | 1.25 | .70 | .10 | .51 | .62 | 2.99 | 1.75 | 20 |
| 94338 | 1 STR. | 1/4 | 5/8 | GREEN | .360 | .469 | 2.87 | 1.25 | .67 | .11 | .25 | .28 | 1.25 | .63 | 15 |
| 94339 | 1 STR. | 1/4 | 3/4 | GREEN | .360 | .469 | 3.27 | 1.25 | .67 | .11 | .25 | .28 | 1.25 | .75 | 15 |
| 94340 | 1 STR. | 5/16 | 7/8 | GREEN | .360 | .469 | 3.27 | 1.25 | .67 | .11 | .33 | .32 | 1.62 | .87 | 30 |
| 94341 | 1 STR. | 3/8 | 7/8 | GREEN | .360 | .469 | 4.65 | 1.25 | .67 | .11 | .41 | .41 | 1.62 | .87 | 30 |
| 94343 | 1 STR. | 3/8 | I | GREEN | .360 | .469 | 4.65 | 1.25 | .67 | .11 | .41 | .41 | 1.81 | 1.00 | 30 |
| 94342 | 1 STR. | 1/2 | 1-3/4 | GREEN | .360 | .469 | 4.65 | 1.25 | .70 | .11 | .51 | .62 | 2.99 | 1.75 | 30 |
| 94345 | 1/0 STR. | 1/4 | 5/8 | PINK | .390 | .520 | 3.39 | 1.38 | .74 | .13 | .25 | .28 | 1.25 | .63 | 25 |
| 94558 | 1/0 STR. | 1/4 | 3/4 | PINK | .390 | .520 | 3.39 | 1.38 | .74 | .13 | .25 | .28 | 1.25 | .75 | 25 |
| 94346 | 1/0 STR. | 5/16 | 7/8 | PINK | .390 | .520 | 3.39 | 1.38 | .74 | .13 | .33 | .32 | 1.61 | .87 | 25 |
| 94348 | 1/0 STR. | 3/8 | I | PINK | .390 | .520 | 3.58 | 1.38 | .74 | .13 | .41 | .38 | 1.81 | 1.00 | 25 |
| 94560 | 1/0 STR. | 3/8 | 1-3/4 | PINK | .390 | .520 | 3.58 | 1.38 | .74 | .13 | .41 | .38 | 1.81 | 1.75 | 25 |
| 94350 | 1/0 STR. | 1/2 | 1-3/4 | PINK | .390 | .520 | 4.76 | 1.38 | .74 | .13 | .51 | .62 | 2.99 | 1.75 | 25 |
| 94352 | 2/0 STR. | 1/4 | 5/8 | BLACK | .441 | .563 | 3.86 | 1.50 | .81 | .12 | .25 | .28 | 1.25 | .63 | 20 |
| 94353 | 2/0 STR. | 1/4 | 3/4 | BLACK | .441 | .563 | 3.86 | 1.50 | .81 | .12 | .25 | .28 | 1.25 | .75 | 20 |
| 94562 | 2/0 STR. | 5/16 | I | BLACK | .441 | .563 | 3.86 | 1.50 | .81 | .12 | .33 | .28 | 1.25 | 1.00 | 20 |
| 94563 | 2/0 STR. | 5/16 | 1-3/4 | BLACK | .441 | .563 | 3.86 | 1.50 | .81 | .12 | .33 | .28 | 1.25 | 1.75 | 20 |
| 94354 | 2/0 STR. | 3/8 | I | BLACK | .441 | .563 | 3.86 | 1.50 | .81 | .12 | .41 | .38 | 1.81 | 1.00 | 20 |
| 94356 | 2/0 STR. | 1/2 | 1-3/4 | BLACK | .441 | .563 | 5.04 | 1.50 | .81 | .12 | .51 | .62 | 2.99 | 1.75 | 20 |
| 94358 | 3/0 STR. | 1/4 | 3/4 | ORANGE | .492 | .622 | 3.98 | 1.50 | .90 | .13 | .25 | .28 | 1.25 | .75 | 15 |
| 94359 | 3/0 STR. | 5/16 | I | ORANGE | .492 | .622 | 3.98 | 1.50 | .90 | .13 | .33 | .32 | 1.62 | 1.00 | 15 |
| 94360 | 3/0 STR. | 3/8 | I | ORANGE | .492 | .622 | 3.98 | 1.50 | .90 | .13 | .41 | .38 | 1.81 | 1.00 | 15 |
| 94361 | 3/0 STR. | 3/8 | 1-3/4 | ORANGE | .492 | .622 | 5.16 | 1.50 | .90 | .13 | .41 | .38 | 1.81 | 1.75 | 20 |
| 94362 | 3/0 STR. | 1/2 | 1-3/4 | ORANGE | .492 | .622 | 5.16 | 1.50 | .90 | .13 | .51 | .62 | 2.99 | 1.75 | 20 |