



**Catalog Number** 91680  
**UPC Number** 60198691680  
**Description** Copper Pipe Ground Clamp 1/2" - 1"  
with armored/unarmored cable adaptor



#### Features

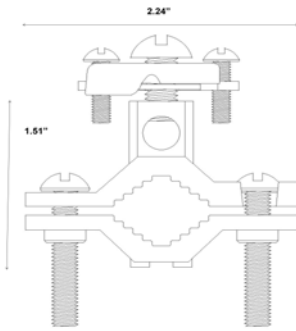
- Manufactured from High Strength High Conductivity Cast Copper Alloy
- Steel Zinc Plated Set Screws
- Water Pipe, Ground Rod, Copper Tubing applications
- Internal Serrations for improved contact integrity
- Apaptor for armored or unarmored cable ground

#### General

Pipe Size: 1 /2" - 1"  
Material: High Conductivity Cast Copper  
Screw Type: Zinc coated steel  
Screw Thread:  
Wire Range: #10 awg - #6 awg

#### Dimension Information

Width: 2.24"  
Height: 1.51"



#### Specifications

Temperature Rating  
Voltage Rating 600  
Flammability Rating  
Amp Rating

#### Packaging

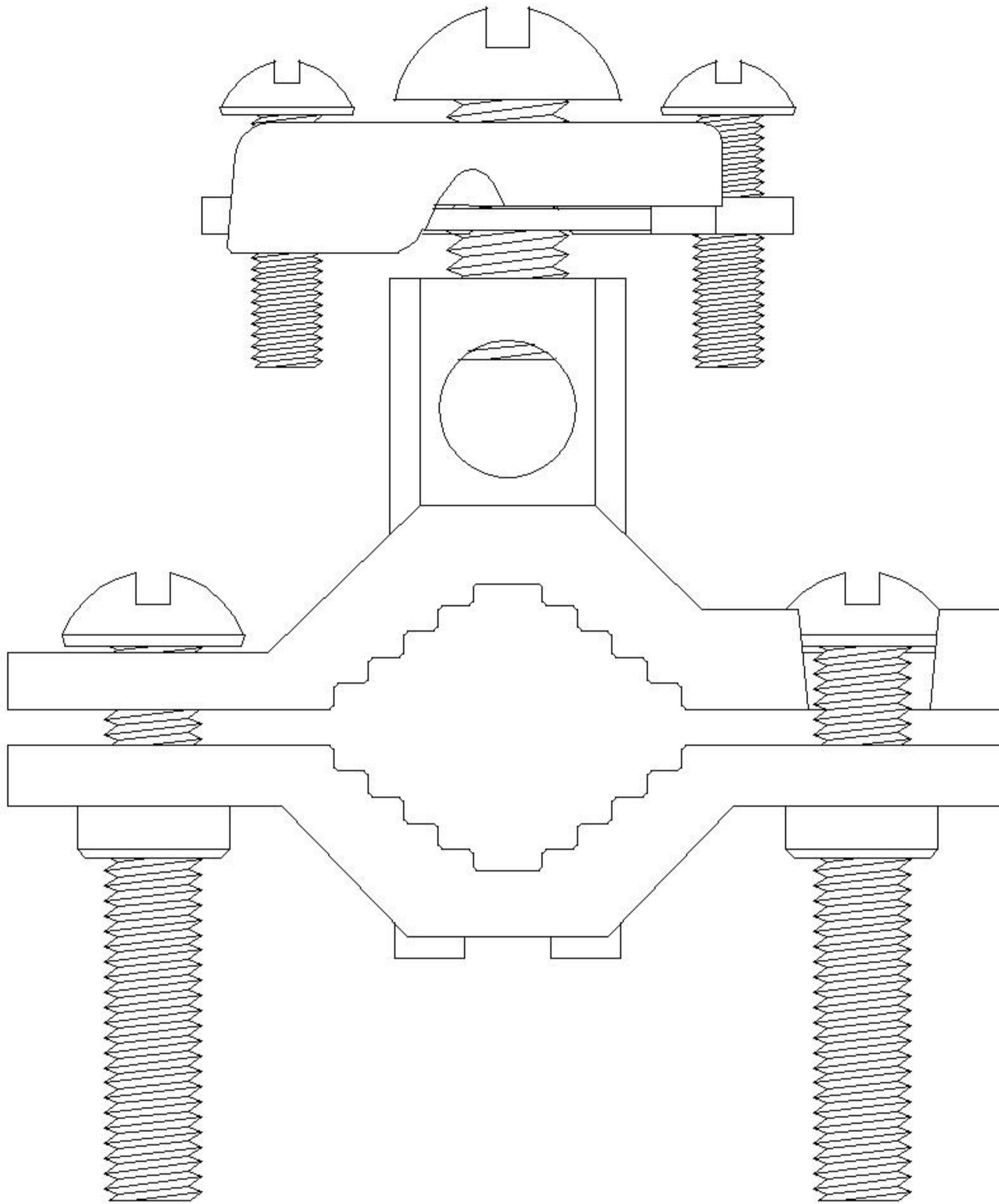
Box Qty 10

#### Certifications

UL Yes  
cUL Yes  
RoHS Yes

[www.morrisproducts.com](http://www.morrisproducts.com)

Morris Products 53 Carey Road, Queensbury, NY 12804



Morris Products Inc.

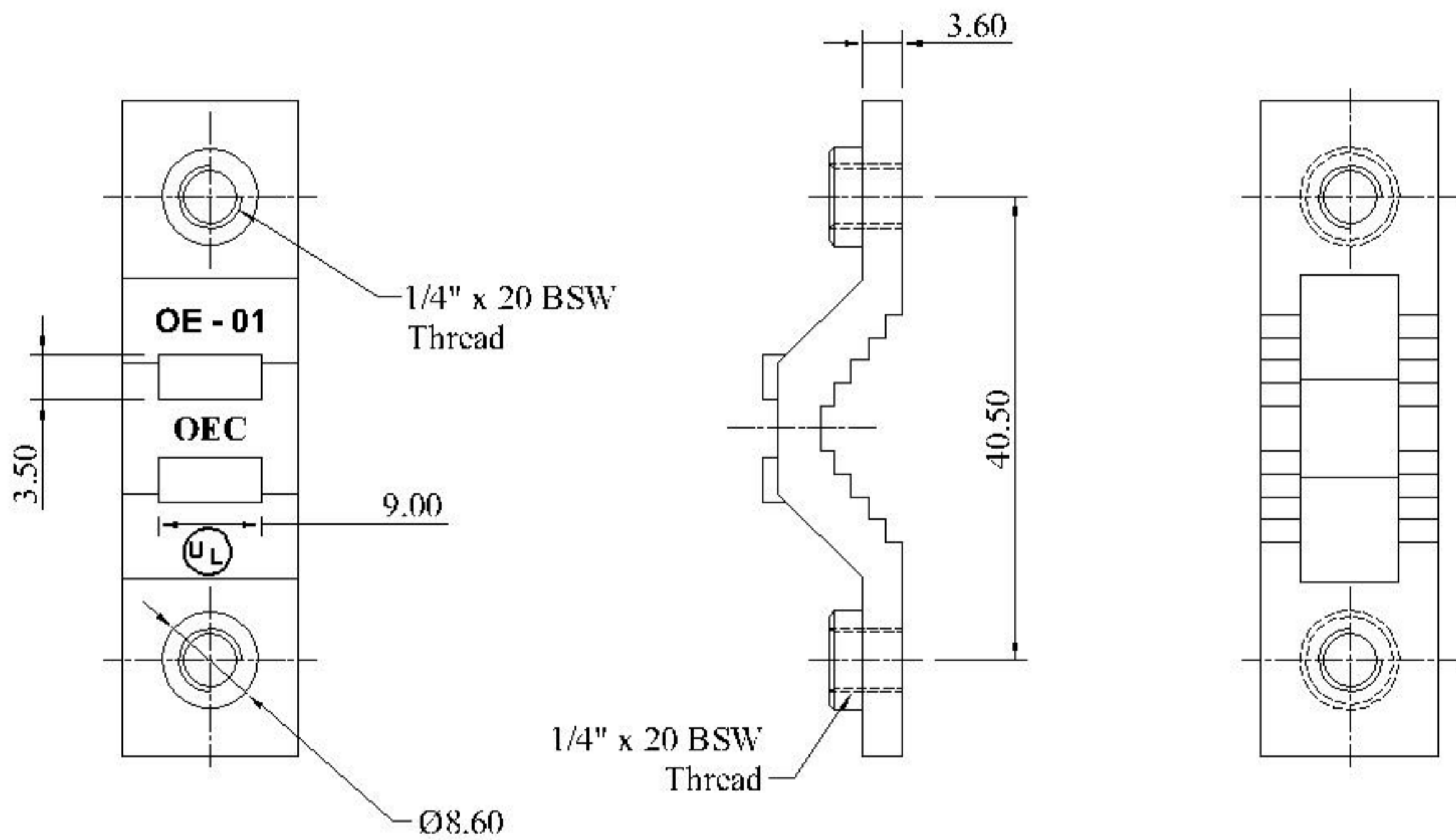
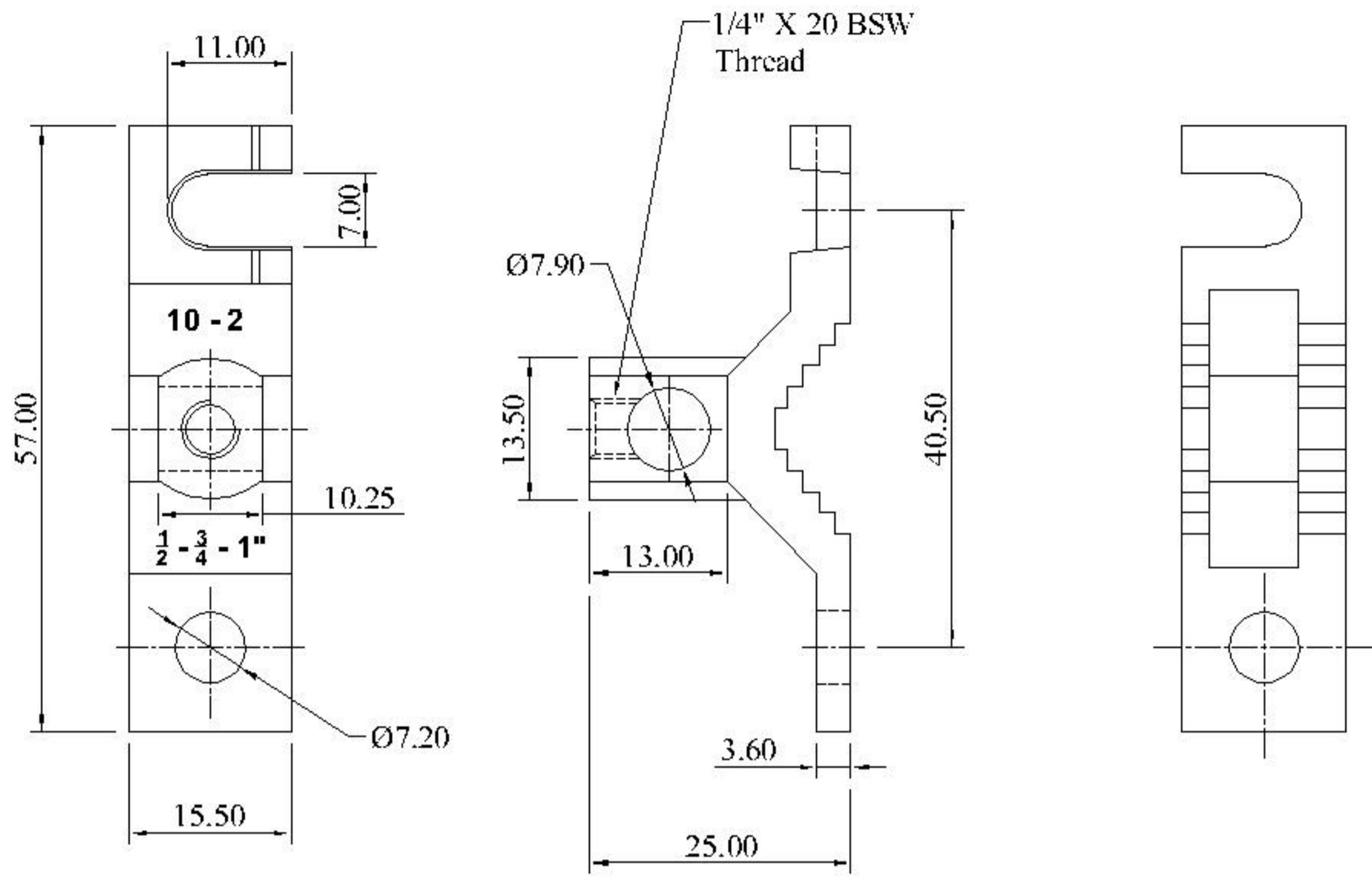
53 Carey Rd. Queensbury NY 12804

	NAME	DATE
DRAWN	<i>(Signature)</i>	18/09/2003
CHECKED	V.G.Patel	18/09/2003
APPROVED	V.G.Patel	18/09/2003
MATERIAL-	-----	
TOLERANCE-	-----	

TITEL- **Ground Clamp 1 (10-6)**

Drawing No.- 91680

SCALE- **N.T.S.** TREATMENT- ----- All Dimensions are in mm



Morris Products Inc.

53 Carey Rd. Queensbury NY 12804

	NAME	DATE
DRAWN	<i>(Signature)</i>	18/09/2003
CHECKED	V.G.Patel	18/09/2003
APPROVED	V.G.Patel	18/09/2003
MATERIAL-	Copper Alloy with copper above 80 %	
TOLERANCE-	±0.50	

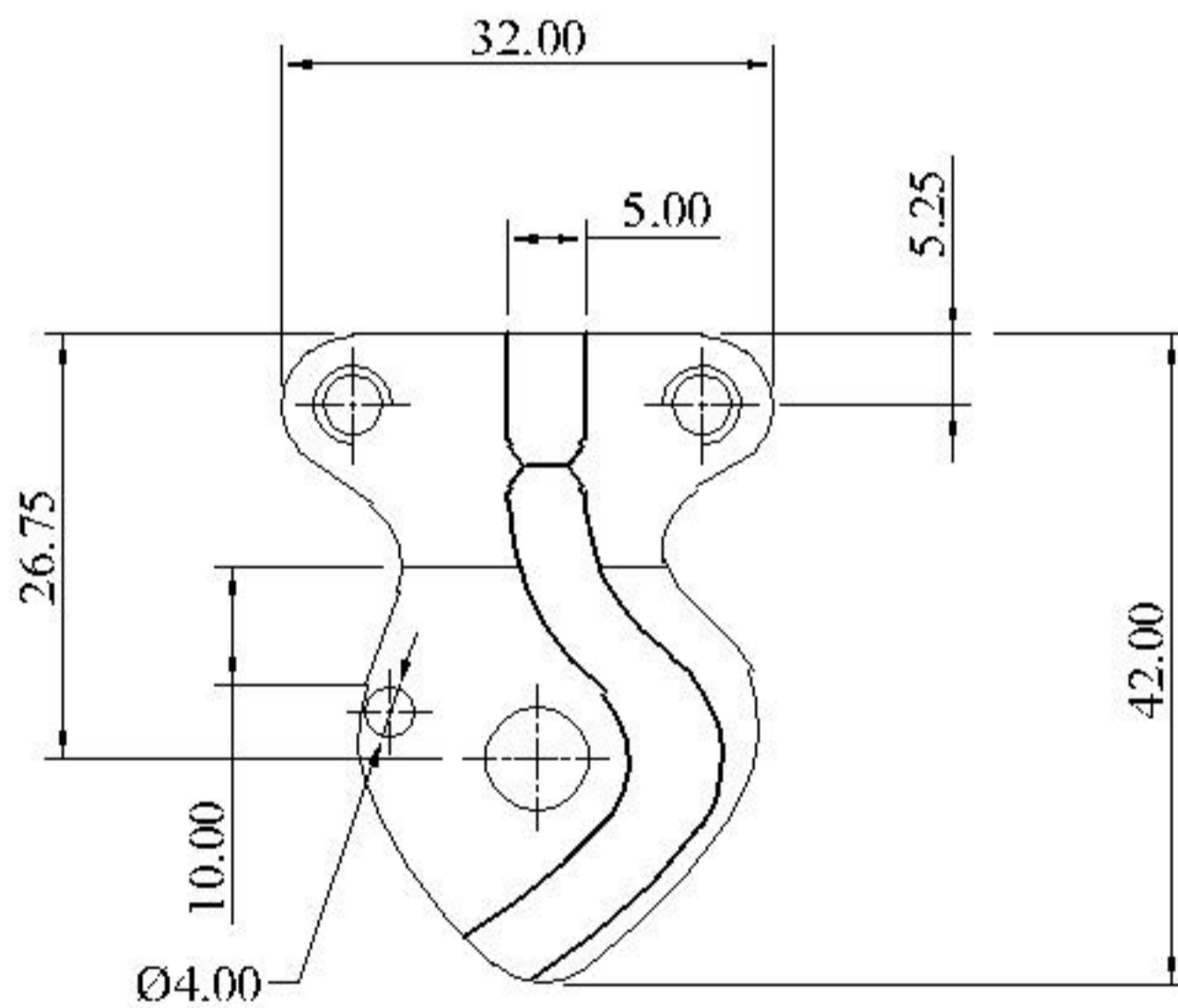
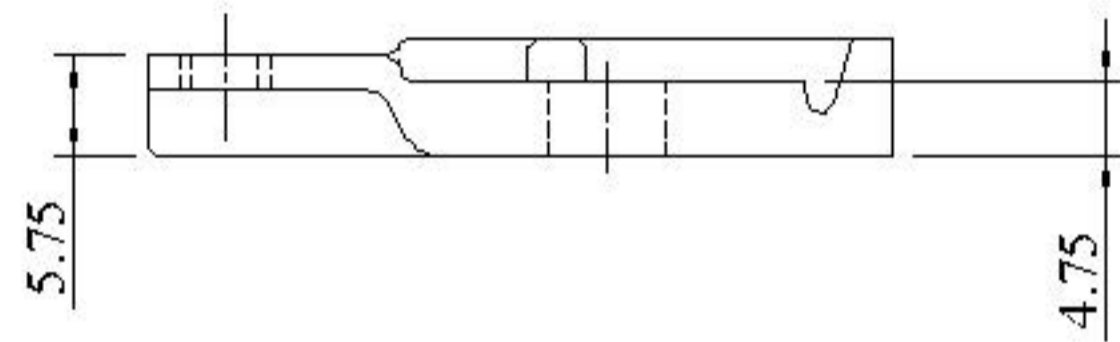
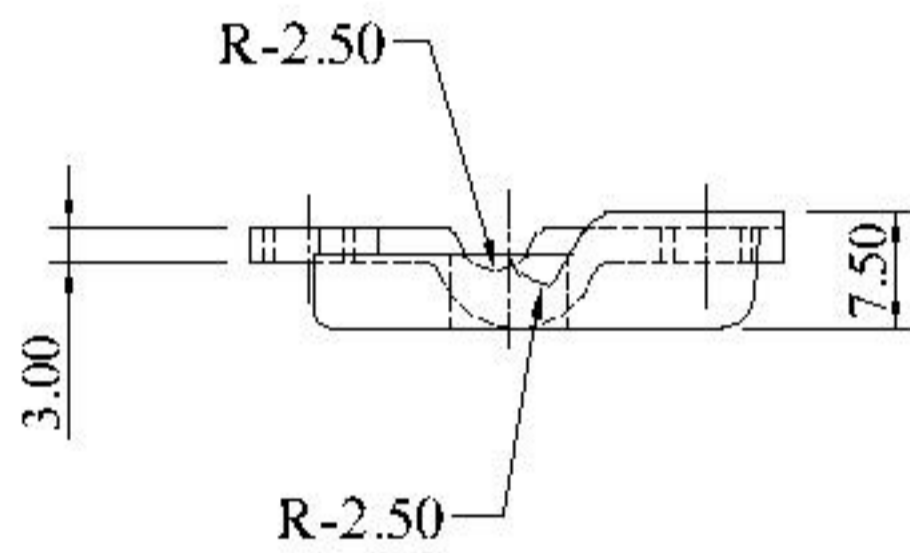
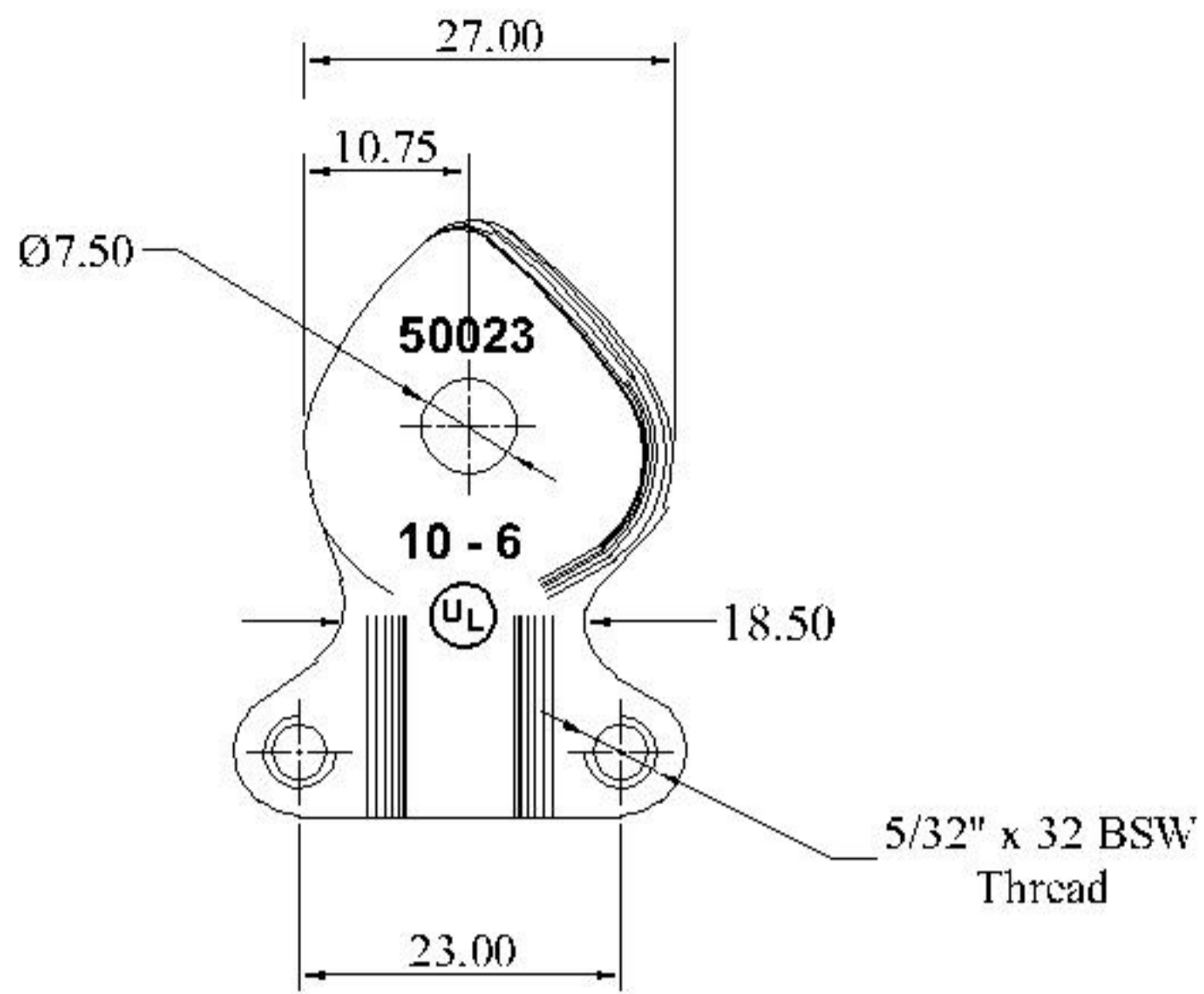
TITEL- **Ground Clamp**

SCALE- N.T.S.

TREATMENT- **Shot Blasting**

All Dimensions are in mm

Drawing No.- 91680-B



Morris Products Inc.

53 Carey Rd. Queensbury NY 12804

	NAME	DATE
DRAWN	<i>(Signature)</i>	18/09/2003
CHECKED	V.G.Patel	18/09/2003
APPROVED	V.G.Patel	18/09/2003
MATERIAL-	Copper Alloy with copper above 80 %	
TOLERANCE-	±0.50	

TITEL- *Adaptor*

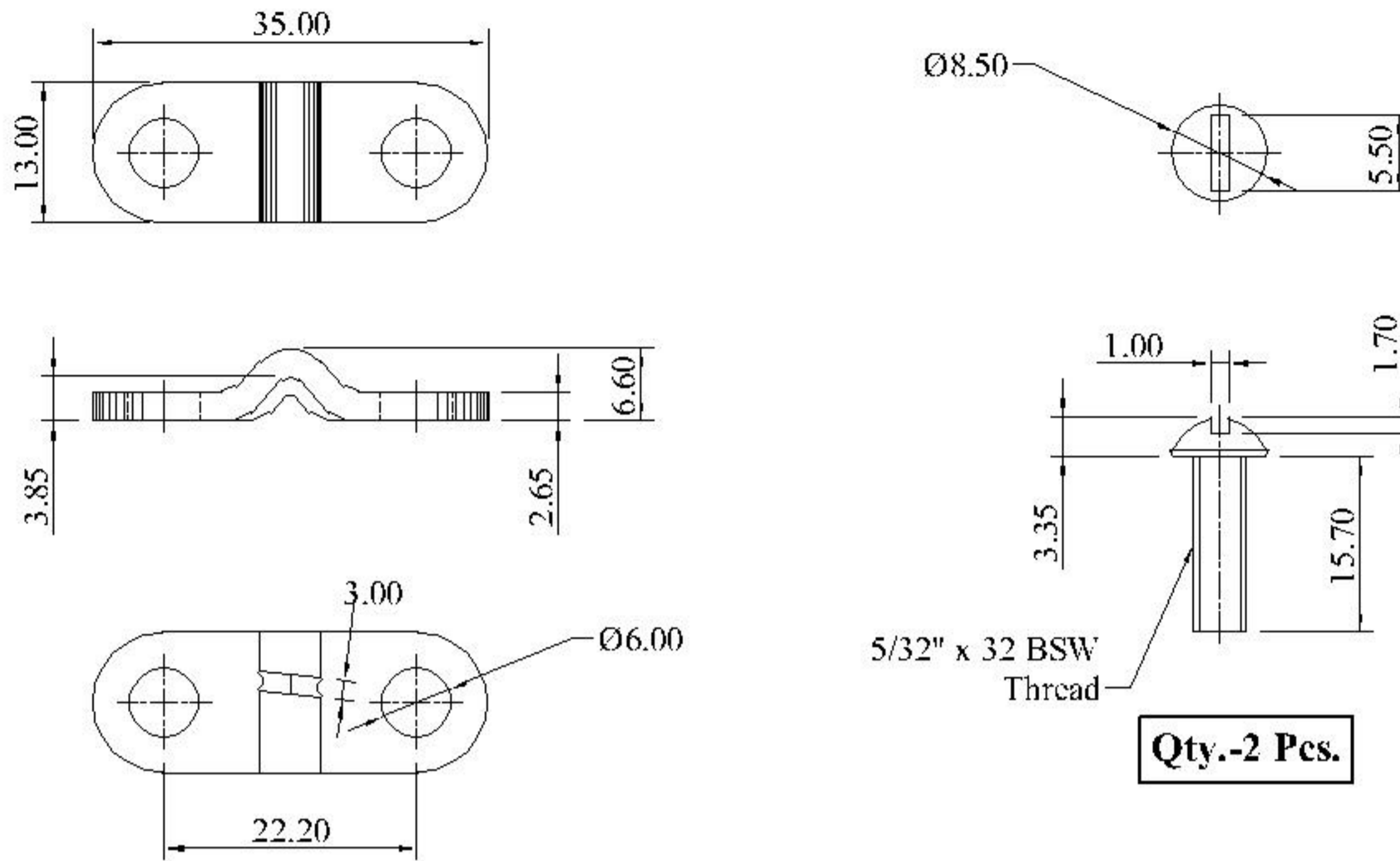
SCALE- **N.T.S.**

TREATMENT- **Shot Blasting**

All Dimensions are in mm

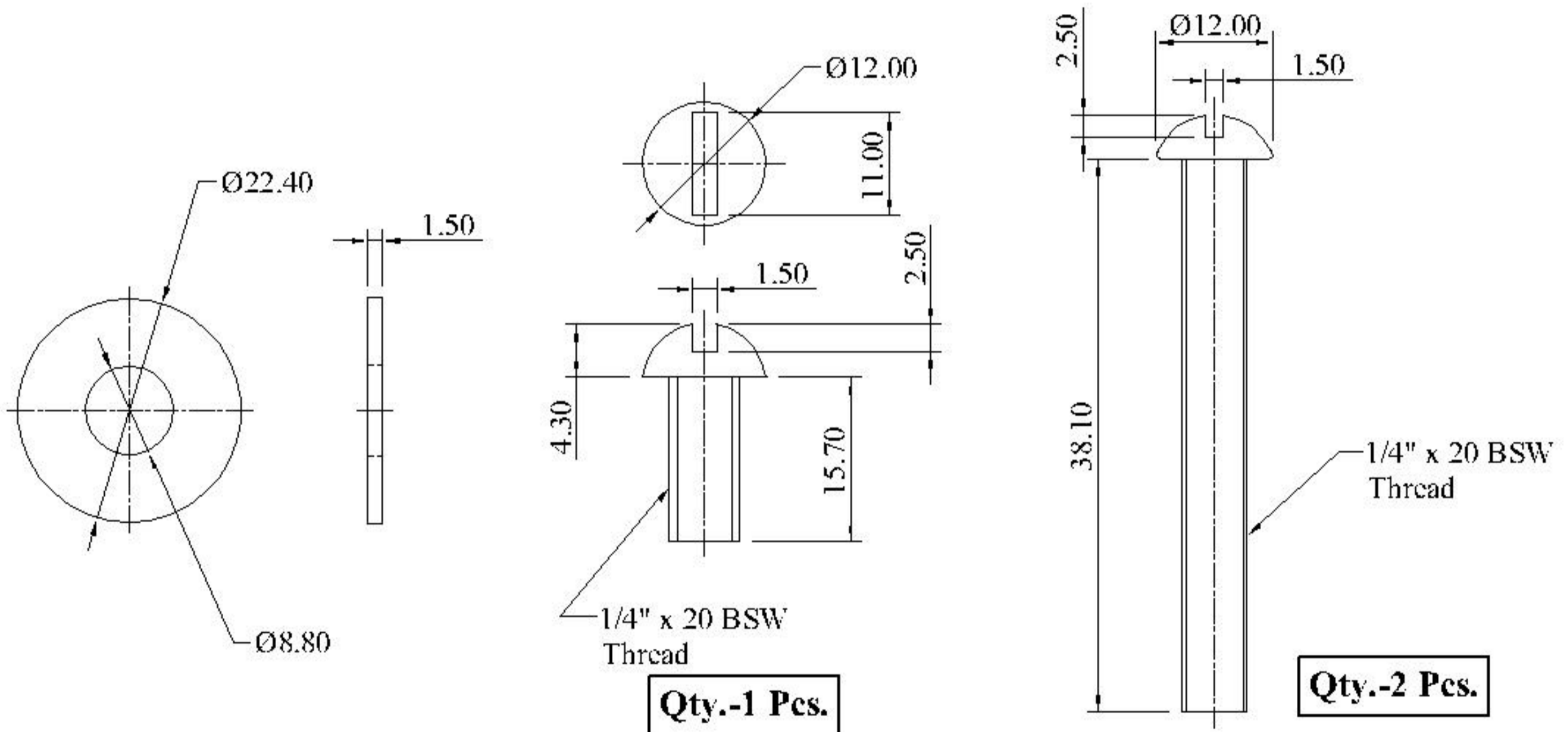
Drawing No.- 91680-C

### Screw and Pressure Pads for Adaptor



**Qty.-2 Pcs.**

### Screws and Washer for Pipe Clamp



**Qty.-1 Pcs.**

**Qty.-2 Pcs.**



Morris Products Inc.

53 Carey Rd. Queensbury NY 12804

	NAME	DATE
DRAWN	<i>(Signature)</i>	18/09/2003
CHECKED	V.G.Patel	18/09/2003
APPROVED	V.G.Patel	18/09/2003
MATERIAL- Screws: <i>M.S.</i> Washer & Pad: Copper Alloy with copper above 80 %		
TOLERANCE- ±0.50		

SCALE- N.T.S.

TITEL- *Pressure Pads & Screws*

TREATMENT- *Screw-Blue Zinc Plated, Pad & Washer-Neutral*

All Dimensions are in mm

Drawing No.- 91680-D