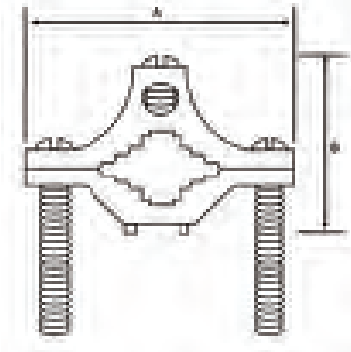




# Copper Ground Pipe Clamps

## MORRIS CAT#'s: 90598-90628



DIMENSIONS = INCHES

CAT. NO.	WATER PIPE RANGE	WIRE RANGE	SCREW THREAD SIZE	DIMENSIONS		BOX QTY
				A	B	
90627	1/2"-1"	2-10	1/4-20	2.25	1.64	25
90628	1-1/4"-2"	2-10	5/16-18	3.54	2.48	10
90598	2-1/2"-4"	2-10	3/8-16	6.30	3.40	15
90599	4-1/2"-6"	2-10	3/8-16	8.30	4.00	5

### Features:

- For Connecting Grounding Conductor to Water Pipe, Copper Tubing or Ground Rod
- Cast of High Strength High Conductivity Copper Alloy
- Steel Set Screws Zinc Plated for Corrosion Resistance