



**Catalog Number** See Table  
**UPC Number** See Table  
**Description** Split Bolt Connector - Tin Plated Copper w/Spacer

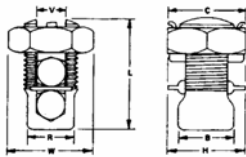


**Features**

- Manufactured from High Strength High Conductivity Electrolytic Copper Bronze Nut
- Electro Tin Plated
- Copper and Copperweld stranded wire
- Free running thread, Easy Grip Hex Nut
- Ribbed separator for excellent pullout force resistance
- Secure connection for all wire combinations in range

**General**

**Wire Range:** #8 Str thru 500 MCM  
**Material:** High conductivity electrolytic copper  
**Nut Material:** Bronze  
**Wire Combinations:** See Table



**Dimensional Information**

See Table

**Specifications**

**Temperature Rating:** N/A  
**Voltage Rating:** 600  
**Flammability Rating:** N/A  
**Amp Rating:** To Conductor

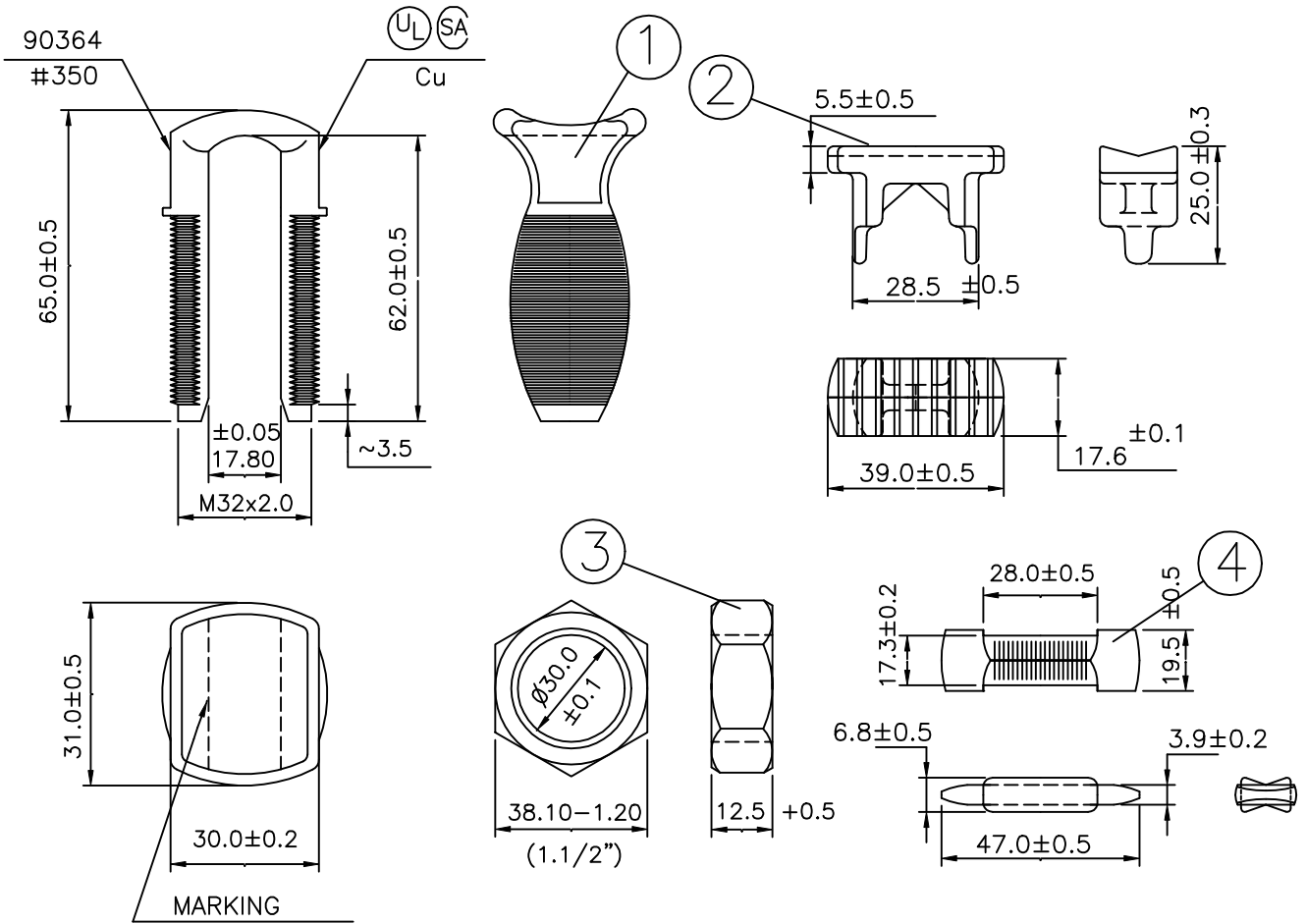
**Packaging**

**Box Qty** See Table

**Certifications**

**UL** Yes  
**cUL** Yes  
**RoHS** Yes

Cat No.	AWG	Max Run To Max Tap	Min Run To Min Tap	Max Run To Min Tap	Min Equal Tap & Run	Torque In-Lb	B	C	H	L	R	V	W	Box Qty
90360	3/0	3/0-3/0	2/0-8	3/0-8	1-1	500	1.1	1.25	1.52	2.2	0.976	0.531	1.45	25
90362	4/0-250	250-250	4/0-8	250-8	1-1	500	1.1	1.25	1.574	2.22	1.06	0.579	1.45	25
90364	350	350-350	350-1/0	350-1/0	2/0-2/0	650	1.22	1.5	1.771	2.56	1.18	0.7	1.73	12
90366	500	500-500	500-2/0	500-2/0	300-300	825	1.34	1.75	1.968	2.95	1.34	0.815	2.1	12



MORRIS  
R- 350  
T- 350-1/0  
STR

- 1- TORQUE: 7.48 kgf.m
- 2- PULL OUT: 272.17 kgf
- 3- FINISHING: TIN PLATED
- 4- Dimensions in mm.

MAXIMUM RUN TO  
MAXIMUM TAP: 350-350 STR AL Cu

MINIMUM RUN TO  
MINIMUM TAP: 350-1/0 STR AL Cu

MAXIMUM RUN TO  
MINIMUM TAP: 350-1/0 STR AL Cu

MINIMUM EQUAL  
RUN-TAP: 2/0-2/0 STR AL Cu

EF.: MORRIS PRODUCTS INC.  
CÓD. 90364

4	Spacer	Copper (ø11.25x38.00)	33.40gr	33.40gr
3	Nut	BRONZE	51.00gr	52.00gr
2	Rider	BRONZE	55.50gr	59.20gr
1	Body	Copper	141.10gr	
Nº		MATERIAL	P.L.	P.B.

Morris Products Inc.  
53 Carey Rd.  
Queensbury, NY 12804

02		21/10/02		DATA	No <b>90634</b>
01		28/05/01		23/08/99	
No		Date			
Revisions			Appv'l	08/09/99	01 DE: 01