



**Catalog Number** See Table  
**UPC Number** See table  
**Description** Split Bolt Connector - Copper

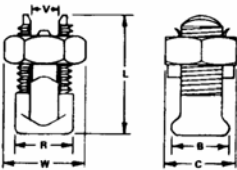


**Features**

- Manufactured from High Strength High Conductivity Electrolytic Copper Bronze Nut
- Copper and Copperweld stranded wire
- Free running thread, Easy Grip Hex Nut
- Ribbed separator for excellent pullout force resistance
- Secure connection for all wire combinations in range

**General**

**Wire Range:** #8 Str thru 750 MCM  
**Material:** High conductivity electrolytic copper  
**Nut Material:** Bronze  
**Wire Combinations:** See Table



**Dimensional Information**

See Table

**Specifications**

**Temperature Rating:** N/A  
**Voltage Rating:** 600  
**Flammability Rating:** N/A  
**Amp Rating:** To Conductor

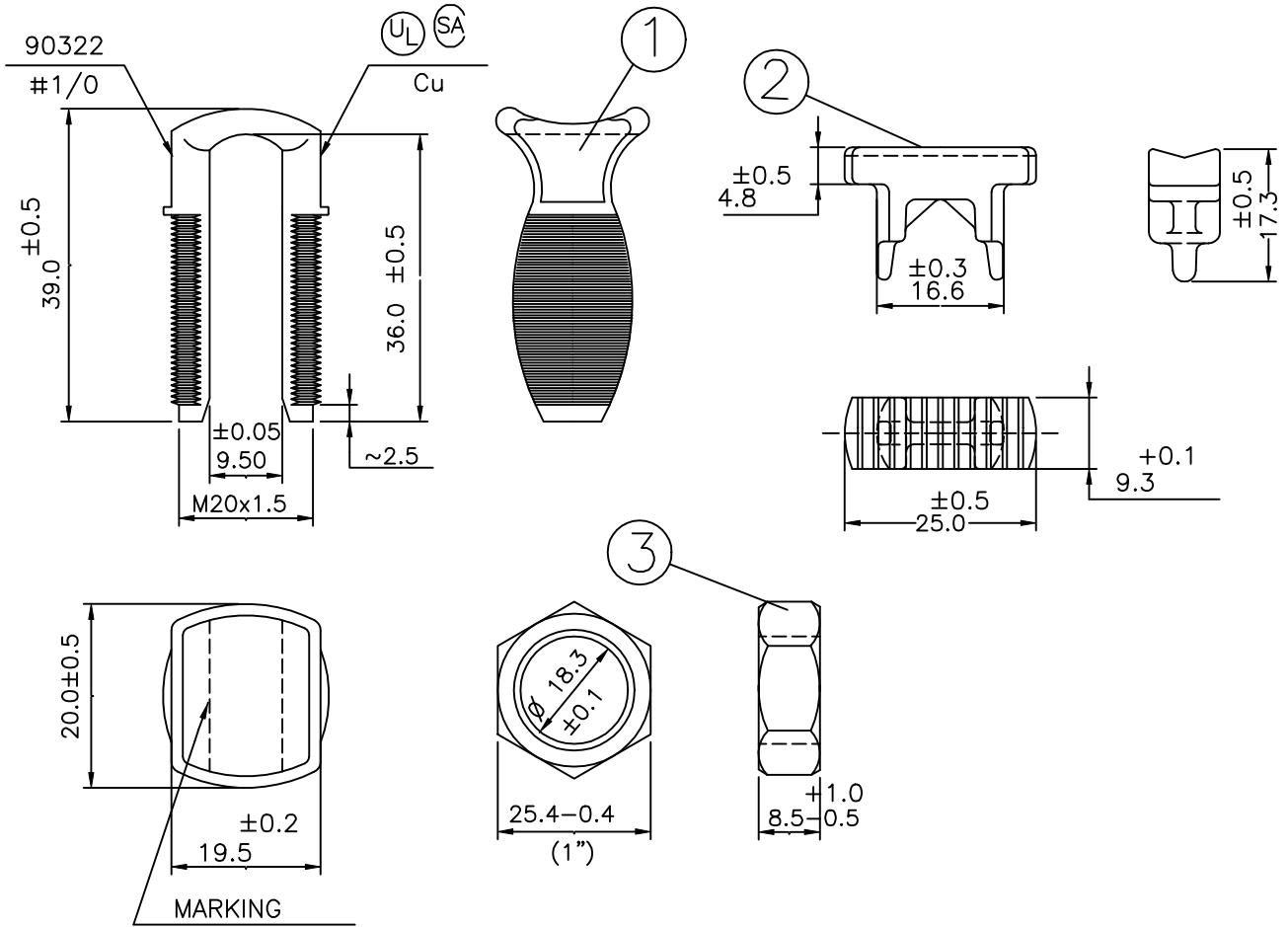
**Packaging**

**Box Qty** See Table

**Certifications**

**UL** Yes  
**cUL** Yes  
**RoHS** Yes

Cat No.	AWG	Max Run To Max Tap	Min Run To Min Tap	Max Run To Min Tap	Min Equal Tap & Run	Torque In-Lb	B	C	L	R	V	W	Box Qty
90314	8	8-8	8-16	10-10	10-10	88	0.472	0.562	0.854	0.413	0.145	0.65	100
90316	6	4-4	8-14	4-14	8-8	165	0.492	0.625	0.906	0.413	0.165	0.722	100
90318	4	4-4	6-14	4-14	8-8	165	0.709	0.812	1.16	0.579	0.268	0.938	50
90320	2	2-2	6-14	2-14	6-6	275	0.748	0.812	1.26	0.614	0.326	0.938	50
90322	1/0	1/0-1/0	2-14	1/0-14	4-4	385	0.787	0.937	1.54	0.708	0.374	1.08	50
90324	2/0	2/0-2/0	1-14	2/0-14	2-2	385	0.866	1.06	1.69	0.807	0.421	1.28	25
90326	3/0	3/0-3/0	2/0-8	3/0-8	1-1	500	1.1	1.25	2.09	0.976	0.531	1.45	25
90328	4/0-250	250-250	4/0-8	250-8	1-1	500	1.1	1.25	2.09	1.06	0.579	1.45	25
90330	350	350-350	350-1/0	350-1/0	2/0-2/0	650	1.22	1.5	2.36	1.18	0.7	1.73	12
90332	500	500-500	500-2/0	500-2/0	300-300	825	1.34	1.75	2.84	1.34	0.815	2.1	12
90334	750	750-750	750-4/0	750-4/0	750-750	1000	1.94	2.13	3.77	1.93	1.18	2.39	1



MORRIS  
R- 1/0-2  
T- 1/0-14  
STR

1- TORQUE: 4.43 kgf.m  
2- PULL OUT: 113.4 kgf  
3- Dimensions in mm.

MAXIMUM RUN TO  
MAXIMUM TAP: 1/0-1/0 STR  
  
MINIMUM RUN TO  
MINIMUM TAP: 2-14 STR  
  
MAXIMUM RUN TO  
MINIMUM TAP: 1/0-14 STR  
  
MINIMUM EQUAL  
RUN-TAP: 4-4 STR

REF.: MORRIS PRODUCTS INC.  
CÓD. 90322

3	NUT	BRONZE		
2	RIDER	BRONZE		
1	BODY	ELECTROLYTICAL COPPER		
N°	DENOMINATION	MATERIAL	P.L.	P.B.

Morris Products Inc.  
53 Carey Rd.  
Queensbury, NY 12804

04		12/03/08					
03		30/03/06					
02		21/10/02				DATA	No
01		28/05/01				23/08/99	90322
No		DATA	VISTO				
Revisions				Appv' l		08/09/99	01 DE: 01