



Commercial /Industrial Surge Suppression - 3 Phase



MORRIS CAT#'s: 89120, 89122



CAT#: 89120

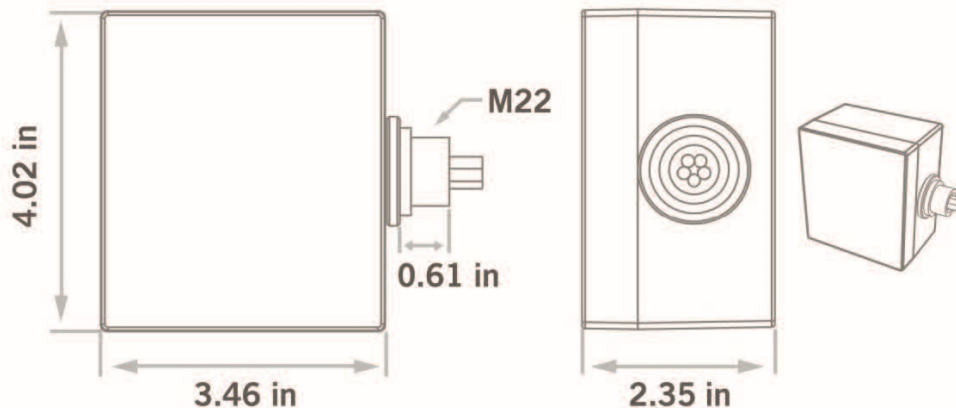


CAT#: 89122

Features:

- I_{max} 100kA 8/20 μs
- UL1449 4th Edition Type 1 Listed Common mode suppression
- Thermal fused metal oxide varistor (MOV) suppression within series
- Gas-Tube technology for maximum surge protection and zero leakage
- Light emitting diode's (LED) visual protection status indicator
- Real time diagnostics per phase and by LED audible alarm
- Maximum surge current capacity of 100,000 surge Amps
- Indoor/Outdoor IP66 NEMA 6 rated enclosure NEMA 6 exceeds NEMA 4 or 4X
- In 20 kA; SCCR 200 kA
- Meets requirements of UL 96A Lighting Protection Master Label
- Hardwired connection #12 AWG 36" leads
- Audible Alarm protection status indicator
- Product is approved to be installed inside of circuit panel

Dimensions:





Commercial /Industrial Surge Suppression - 1Phase, 3 Phase

MORRIS CAT#'s: 89120, 89122

Technical Specifications:

Voltage: 120/208, 277/480

System Wiring: 89120: Three Phase, 89122: Three Phase Voltage

Protection Rating: 89120: 700V, 89122: 1,200V

Operating Current: <10mA

Frequency: 50/60Hz

Nominal Discharge Current per Mode:20kA

Maximum Discharge Current Per Phase:100kA

Short Circuit Current Rating: 150kA

EMI/RFI Filtering: 1283 Electromagnetic Interference Filter (-40 dB)

Thermal Disconnecter: Internal to each Component

Overload Disconnecter: Internal to each Device

Failure Indicators: LED & Audible Alarm

Operating Temperature:

-40 to +185°F

Construction:

Housing: Cast Aluminum

Mounting: Nipple Mount

Listings: UL

IP Rating: NEMA 6, IP65, IP66

Installation Location: Indoor/Outdoor

Carton Qty: 1

Warranty:

Morris Products carries a 3 year warranty from date of purchase against defects in materials and workmanship (assuming normal and proper usage).