



# MORRIS CAT#: 80529 Infrared Motion Sensor

Hold off setpoint with automatic calibration option for convenience and added energy savings



IP66 rated for wet locations

Multiple mounting options for easy installation

Fully adjustable high and low dimmed light levels; optional dusk to dawn control



## Product Overview

### Description

The sensor mount in an outdoor lighting fixture and provides multi-level control based on motion and/or daylight contribution. It controls 0-10V DC LED drivers or dimming ballasts, and is rated for both wet and cold locations. All control parameters are adjustable via a wireless configuration tool capable of storing and transmitting sensor profiles.

### Wireless Handheld Configuration Tool

Initial setup and subsequent sensor adjustments are made using a hand held configuration tool. This tool enables the adjustment of configurations and is also used to initiate automatic calibration of the sensor ambient light level set point. The set point is to hold the controlled lighting off or at low levels where there is sufficient daylight. The wireless tool stores up to five sensor configuration profiles to help speed up the configuration of multiple sensors.

### Operation

Typically, the sensor sets lighting on to the selected high mode level when motion is detected and the ambient light level is below the hold off set point. After the sensor stops detecting movement and the time delay elapses, the lights will fade to the Low mode level. If there's no motion during the subsequent cut off time delay, the lights will turn off. For dusk to dawn control, the integral photocell can switch the lights on and off based on the ambient light level. This way the lighting will remain on overnight, even without motion detection.

### Applications

This slim, low-profile sensor is designed for installation inside the bottom of a IP66-Rated light fixture body. This motion sensor is IP66 outdoor rated and is ideal for areas such as parking facilities, gas stations, pedestrian pathways and warehouses. Choosing two PIR lens' will ensure complete coverage for mounting heights up to 40FT.

## Features

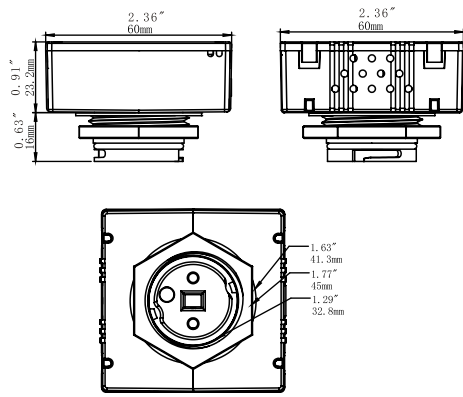
- Provides line voltage On/Off switching and 0-10VDC dimming control
- Works with ballasts or LED drivers
- High and low modes fully adjustable from 0 to 10V
- Time delay from 5 to 30 minutes
- Optional cut off delay
- Adjustable ramp up and fade down times
- CLASS 2 for whole sensor
- Optional daylighting setpoints feature automatic calibration, or permit manual adjustment.
- Polycarbonate, flame retardant, UV resistant, impact resistant.
- UL773A and FCC

## Specifications

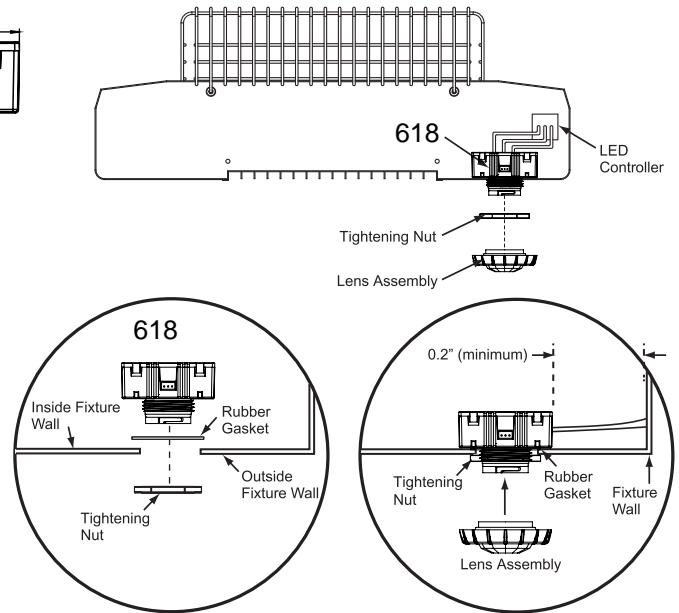
Power supply	120-277VAC
Maximum load @ -40°F ~ 158°F (-40°C ~ 70°C)	Resistive/Tungsten - 600W@120V Ballast Electronic (LED) - 800/1200VA@120/277V
Dim control output	0-10V, max. 25mA sinking current
Detection radius/angle	Max meters/360°
Mounting height	Max 50ft
Remote range	50ft. (15m) indoor, no backlight
Humidity	Max. 95% RH
Temperature	-50°F ~ 104°F (-10°C ~ 40°C)

# Dimensions & Mounting

## Sensor Dimensions

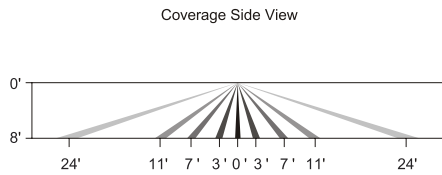


## Sensor Mounting

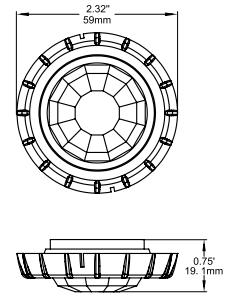
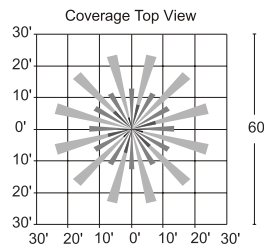


## Coverage

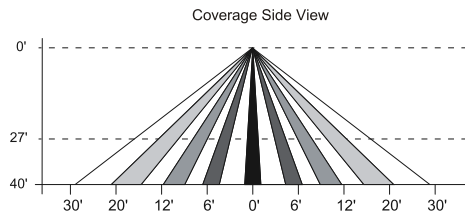
### LW1



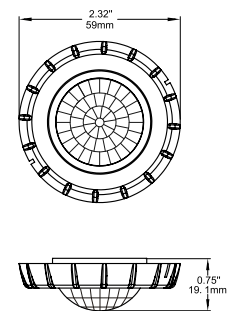
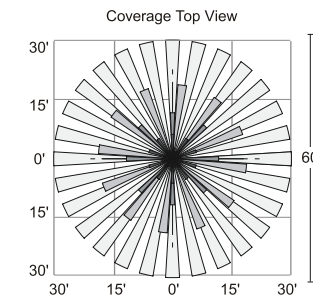
LW1: 360° Coverage



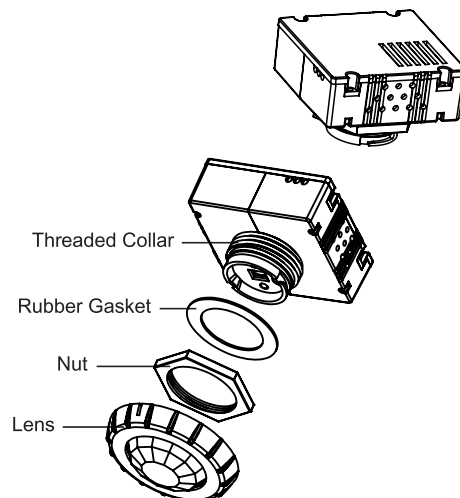
### LS2



LS2: 360° Coverage



## Sensor module



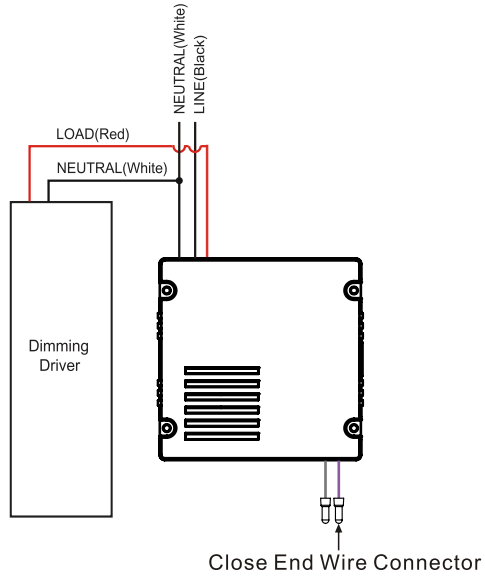
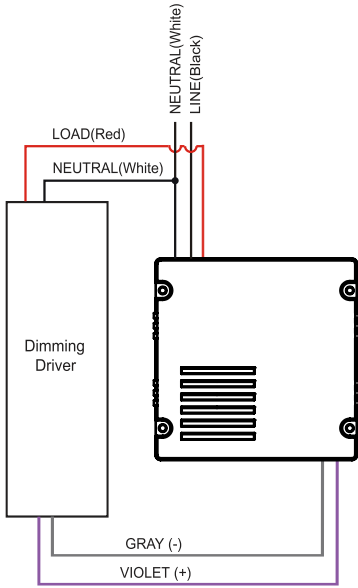
# Wiring

wiring with dimming ballast or LED driver.

wiring with dimming ballast or LED driver.

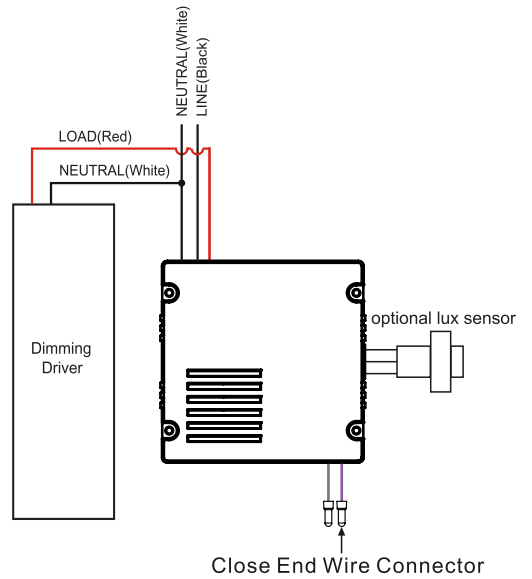
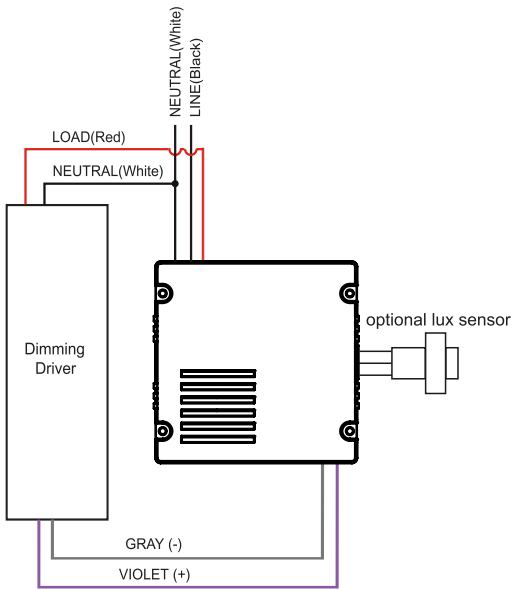
Dimming Driver

Non-Dimming Driver



Dimming Driver(optional lux sensor)

Non-Dimming Driver(optional lux sensor)



## Ordering Information

Catalog No.	Color	Description
<input type="checkbox"/> LW1	White	360° lens, maximum coverage 60' diameter from 8'-40' height
<input type="checkbox"/> LS2	White	360° lens, maximum coverage 48' diameter from 20' height