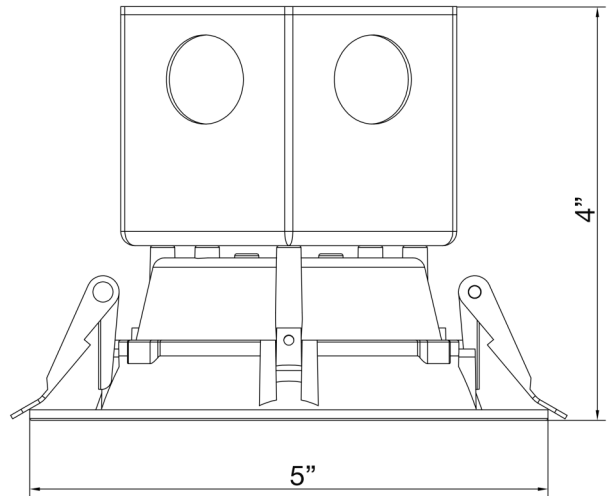




4" 10W NEW CONSTRUCTION DOWNLIGHT BAFFLE TRIM



Part#	Housing Color	Wattage	Lumens	CCT	Voltage	Input Current @ 120V	Lumens/Watt	Energy Star
72640	White	10W	780	3000K	120-277	.078A	780	Yes



NEW CONSTRUCTION DOWNLIGHT

4" 10W

BAFFLE TRIM

Technical Specifications:

Electrical:

Input Voltage: 120 thru 277

Current: .078A @ 120V

Frequency: 60Hz

Power Factor: $\geq .9$

Product Parameters:

10 Watts

Efficacy: 78 lumens per watt

50,000+ LED Life Span

CCT: 3000k (Warm White)

Chromaticity Measurements:

Beam Angle: 95°

BUG Rating: N/A

CRI: ≥ 92.2

R9: 43

DUV: -0.00147

Chromaticity (x,y): x=.4395; y= .4012

Chromaticity (u,v): u=.2535; v= .5207

Component Specifications:

LED: SMD2835

Driver: 120-277V 50-60HZ

Driver Output Volts:

Driver Output Amps:

Surge Protection:

Dimming: Triac Dimmable at 120

Operating Temperature:

Minimum Starting -31° - 122° F

Construction:

Housing: Aluminum Housing/Trim

White Finish

IP Rating: IP44 Wet Indoor Location Rated

Lens Material: Frosted Polycarbonate Lens

Mounting: Ceiling Mount

(Drywall / Sheetrock)

Listings: ETL

Energy Star

Carton Qty: 12

Weight: 1.4 lb

Warranty:

Morris Products carries a 5 year warranty from date of purchase against defects in materials and workmanship (assuming normal and proper usage).