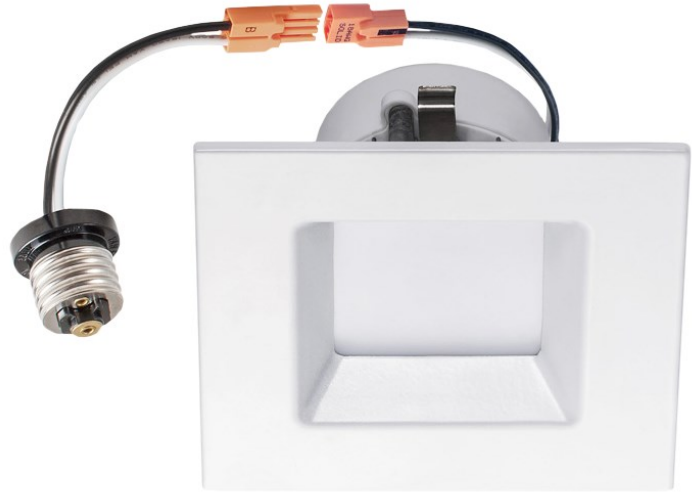
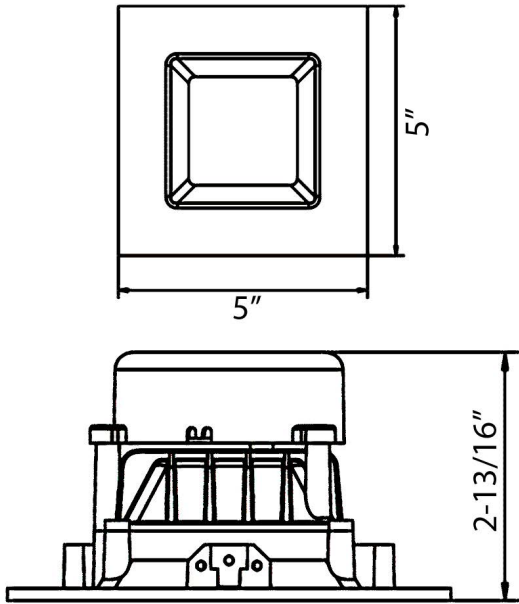




RETROFIT DOWNLIGHT

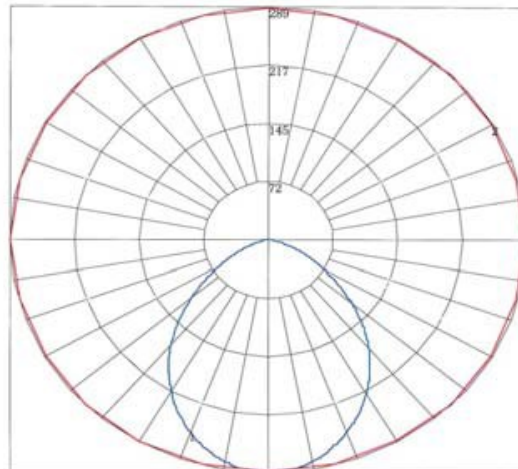
4" 9W

SQUARE RECESSED



Part#	Housing Color	Wattage	Lumens	CCT	Voltage	Input Current @ 120V	Lumens/Watt	Energy Star
72632	White	10W	600	3000K	120	.085A	60	Yes

PHOTOMETRY



Maximum Candela = 289.05 Located At Horizontal Angle = 180, Vertical Angle = 1
 # 1 - Vertical Plane Through Horizontal Angles (180 - 0) (Through Max. Cd.)
 # 2 - Horizontal Cone Through Vertical Angle (1) (Through Max. Cd.)



4" 9W SQUARE RECESSED RETROFIT DOWNLIGHT

Technical Specifications:

Electrical:

Input Voltage: 120
Current: .085A @ 120V
Frequency: 60Hz
Power Factor: $\geq .88$

Product Parameters:

10 Watts
Efficacy: 60 lumens per watt
50,000+ LED Life Span
CCT: 3000k (Warm White)

Chromaticity Measurements:

Beam Angle: 100°
BUG Rating: N/A
CRI: ≥ 92
R9: 55
DUV: -0.00283
Chromaticity (x,y): x=.439; y= .3977
Chromaticity (u,v): u=.2547; v= .5192

Component Specifications:

LED: Luxeon 3030 2D
Driver: 120-277V 50-60HZ
Driver Output Volts:
Driver Output Amps:
Surge Protection:

Dimming: Triac Dimming

Operating Temperature:

Minimum Starting -31° - 122° F

Construction:

Housing: Aluminum Housing/Trim
White Finish
IP Rating: IP44 Wet Indoor Location Rated
Lens Material: Frosted Polycarbonate Lens
Mounting: Retrofit Screw In Base

Listings: ETL, Energy Star

Carton Qty: 12

Weight: .5 lb

Warranty:

Morris Products carries a 5 year warranty from date of purchase against defects in materials and workmanship (assuming normal and proper usage).