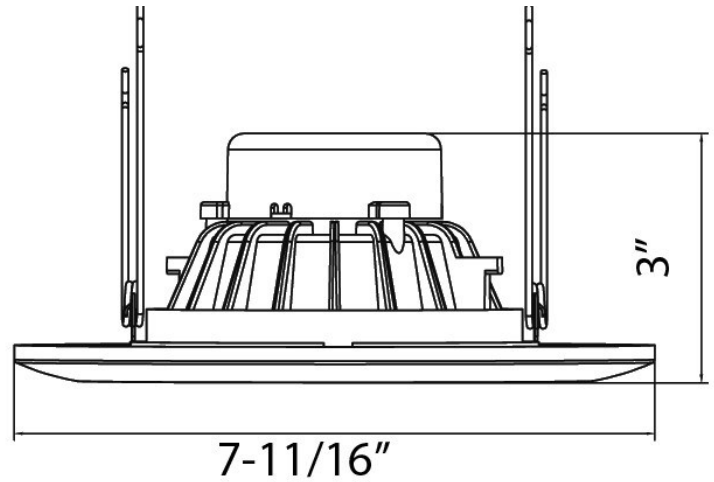




RETROFIT DOWNLIGHT

6" 15W

GIMBAL



Part#	Housing Color	Wattage	Lumens	CCT	Voltage	Input Current @ 120V	Lumens/Watt	Energy Star
72625	White	15W	1040	4000K	120	.129A	69	Yes



RETROFIT DOWNLIGHT

6" 15W

GIMBAL

Technical Specifications:

Electrical:

Input Voltage: 120
Current: .129A @ 120V
Frequency: 60Hz
Power Factor: $\geq .99$

Product Parameters:

15 Watts
Efficacy: 69 lumens per watt
50,000+ LED Life Span
CCT: 5000k (Cool White)

Chromaticity Measurements:

Beam Angle: 94°
BUG Rating: N/A
CRI: ≥ 94
R9: 64
DUV: -0.0004
Chromaticity (x,y): $x=.3421$; $y=.3484$
Chromaticity (u,v): $u=.2107$; $v=.3218$

Component Specifications:

LED: Luxeon 3030 2D
Driver: 120V 50-60HZ
Driver Output Volts:
Driver Output Amps:
Surge Protection

Dimming: Triac Dimming

Operating Temperature:

Minimum Starting -31° - 122° F

Construction:

Housing: Aluminum Housing/Trim
White Finish

IP Rating: IP43 Wet Indoor Location Rated

Lens Material: Adjustable Frosted Polycarbonate Lens

Mounting: Retrofit Screw In Base

Listings: ETL, Energy Star

Carton Qty: 12

Weight: 1.2 lb

Warranty:

Morris Products carries a 5 year warranty from date of purchase against defects in materials and workmanship (assuming normal and proper usage).