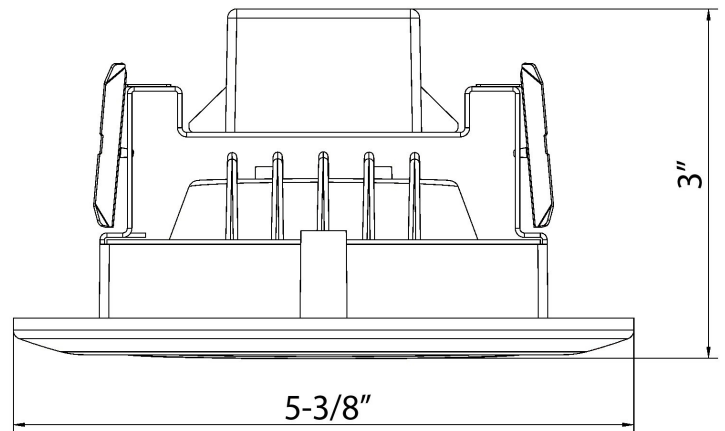




RETROFIT DOWNLIGHT

4" 10W

GIMBAL



Part#	Housing Color	Wattage	Lumens	CCT	Voltage	Input Current @ 120V	Lumens/Watt	Energy Star
72620	White	10W	720	3000K	120	.088A	72	Yes



RETROFIT DOWNLIGHT

4" 10W

GIMBAL

Technical Specifications:

Electrical:

Input Voltage: 120
Current: .088A @ 120V
Frequency: 60Hz
Power Factor: $\geq .99$

Product Parameters:

10 Watts
Efficacy: 72 lumens per watt
50,000+ LED Life Span
CCT: 3000k (Warm White)

Chromaticity Measurements:

Beam Angle: 94°
BUG Rating: N/A
CRI: ≥ 91.8
R9: 43
DUV: -0.0027
Chromaticity (x,y): x=.4343; y= .3965
Chromaticity (u,v): u=.2522; v= .3453

Component Specifications:

LED: Luxeon 3030 2D
Driver: 120V 50-60HZ
Driver Output Volts:
Driver Output Amps:
Surge Protection

Dimming: Triac Dimming

Operating Temperature:

Minimum Starting -31° - 122° F

Construction:

Housing: Aluminum Housing/Trim
White Finish

IP Rating: IP43 Wet Indoor Location Rated

Lens Material: Adjustable Frosted Polycarbonate Lens

Mounting: Retrofit Screw In Base

Listings: ETL, Energy Star

Carton Qty: 12

Weight: .91 lb

Warranty:

Morris Products carries a 5 year warranty from date of purchase against defects in materials and workmanship (assuming normal and proper usage).