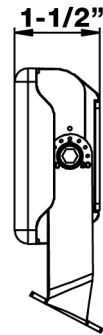
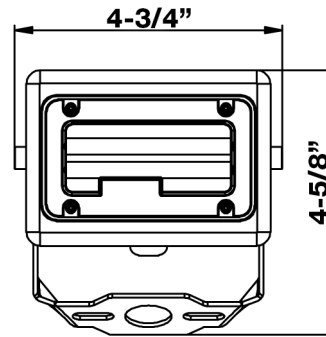




# LED FLOODLIGHT 15W, 3000K BRACKET MOUNT



## Features:

Die-Cast Aluminum Housing

Aluminum Heat Sink, Customized Fin Design  
for Optimal Heat Dissipation

Heat Resistant Directed Optics

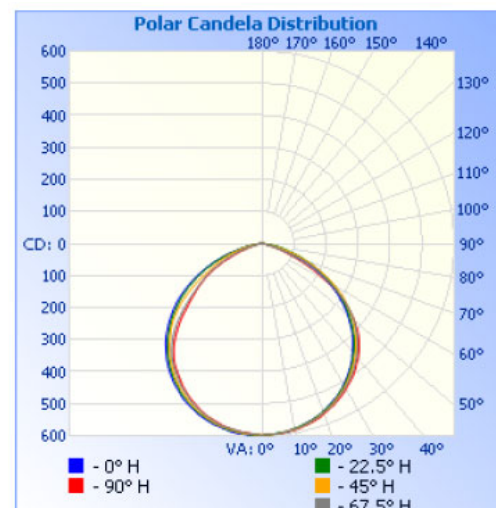
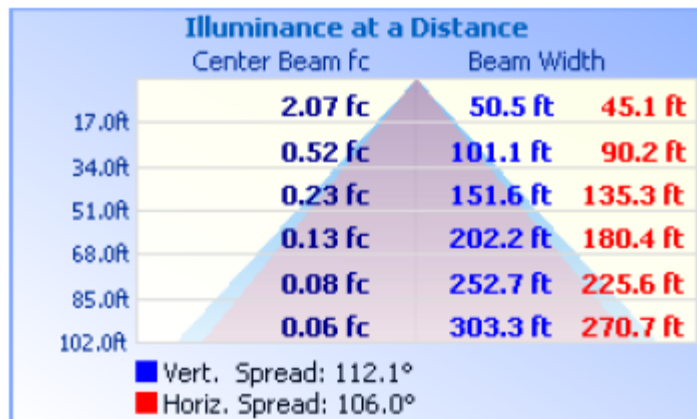
4KV Surge Protection

IP65 Outdoor Rated

Seoul 3030 LED's

Part#	Housing Color	Wattage	Lumens	CCT	Voltage	CRI	Light Pattern	Lumens/Watt	DLC PRODUCT ID#
71802A	Bronze	15	1592	3000	120-277	80	7H7V	110	PLCKUT3VRUTB

## PHOTOMETRY





# LED FLOODLIGHT

## 15W, 3000K

### BRACKET MOUNT

#### Technical Specifications:

##### **Electrical:**

Input Voltage: 120 thru 277

Current: .122A @ 120V

Frequency: 50/60Hz

Power Factor:  $\geq 0.9$

THD:  $> 18\%$

##### **Product Parameters:**

15 Watts

Lumens: 1592

Efficacy: 110 Lumens Per Watt

50,000+ LED Life Span

CCT: 3000K (Warm White)

##### **Chromaticity Measurements:**

Beam Angle:  $110^\circ$

BUG Rating: B1 U0 G0

CRI:  $> 80$

R9: 22

DUV:  $-0.00192$

Chromaticity (x,y):  $x=0.4343$ ;  $y=0.3984$

Chromaticity (u,v):  $u=0.2513$ ;  $v=0.5187$

##### **Component Specifications:**

LED: Seoul SMD3030

Driver: 100-277V 50-60HZ

Driver Output Volts: 36V

Driver Output Amps: 320mA

**Dimming:** N/A

##### **Operating Temperature:**

Minimum Starting  $-40^\circ\text{F}$  -  $122^\circ\text{F}$

##### **Construction:**

Housing: Die Cast Aluminum

Powder Coated Bronze

IP Rating: IP65

Lens Material: Polycarbonate

Mounting: Bracket Mount Included

Listings: UL Listed

Carton Qty: 1

Weight: 1.87 lb

##### **Warranty:**

Morris Products carries a 5 year warranty from date of purchase against defects in materials and workmanship (assuming normal and proper usage).