



# 71152C - SLIM-LINE WALLPACK

15/20/30W 3000/4000/5000K 120-277V



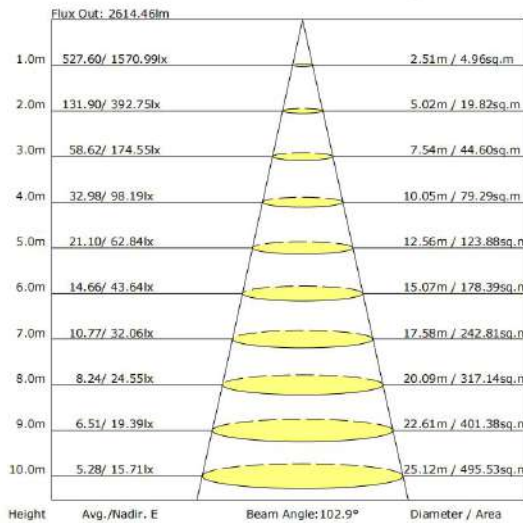
## FEATURES:

- Color Selectable: 3000K/4000K/5000K
- Wattage Selectable: 15W/20W/30W
- Photocell Included
- IP65 Wet Location Rated
- Operating Temp: -40° TO 50°C
- 5 Year Warranty
- 0-10V Dimming
- Can be used as both a floodlight or wallpack
- Corrosion Resistant, Adjustable Die Cast Aluminum Housing
- 2.5kV Surge Protection

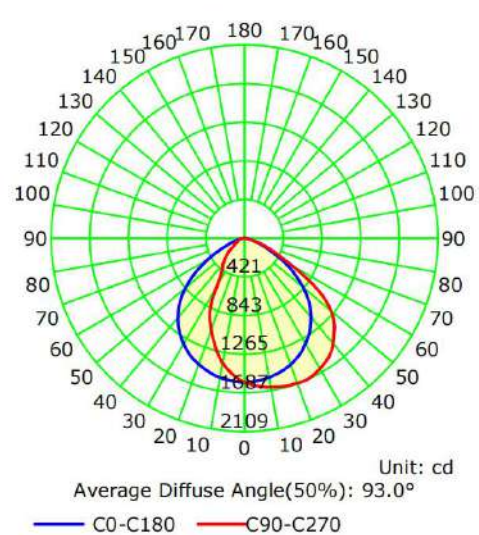
Part#	Housing Color	Wattage	Max Lumens	CCT	Voltage	Dimming	Light Pattern	Lumens/Watt	DLC ID
71152C	Bronze	15/20/30W	3,810	3/4/5K	120-277	0-10V	90° X 110°	127	S-5PFT30

## PHOTOMETRY:

The Average Illuminance Effective Figure



Luminous Intensity Distribution Curve





# 71152C - SLIMLINE WALLPACK

15/20/30W 3000/4000/5000K 120-277V

## TECHNICAL SPECIFICATIONS:

### ELECTRICAL:

Input Voltage: 120-277VAC

Current: 0.239

Frequency: 50/60Hz

Power Factor:  $\geq 0.9$

THD:  $< 20\%$

### PRODUCT PARAMETERS:

15/20/30 Wattage Selectable Lumens: 3810

Efficacy: 127 lumens per watt

(@30W, 4000K)

50,000+ LED Life Span

Color Selectable:

3000K/4000K/5000K

### CHROMACITY MEASUREMENTS: Beam

Angle: 90° X 110°

CRI:  $>70$

R9: -39

BUG: B2-U2-G1

DUV: 0.0020

Chromacity (x,y):  $x=0.3855$   $y=0.3843$

Chromacity (u',v'):  $u(u')=0.2255$

$v(v')=0.5056$

### COMPONENT SPECIFICATIONS:

LED: SMD3030

Driver: DAERMAY

Surge Protection: 2kV

Dimming: 0-10V

Operating temperature: -40°C TO 50°C

### CONSTRUCTION:

Housing: Die cast aluminum housing, powder coated - Bronze

IP Rating: IP65 Wet Location Rated

Lens Material: PC Lens

Mounting: Wall Mount

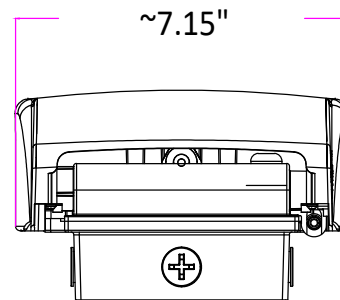
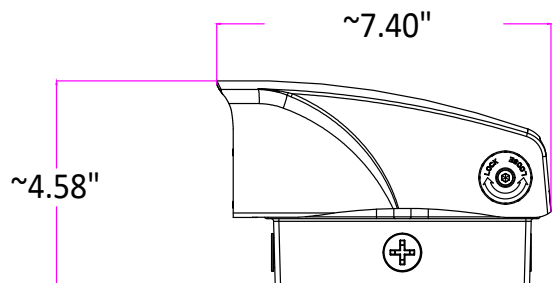
LISTINGS: cULus Listed, DLC Premium: S-5PFT30

### WARRANTY:

Morris Products carries a 5 year warranty from date of purchase against defects in materials and workmanship (assuming normal and proper usage).

### LUMEN BREAKDOWN:

	30W	20W	15W
3000K	3540LM	2400LM	1890LM
4000K	3810LM	2760LM	2100LM
5000K	3760LM	2620LM	2000LM



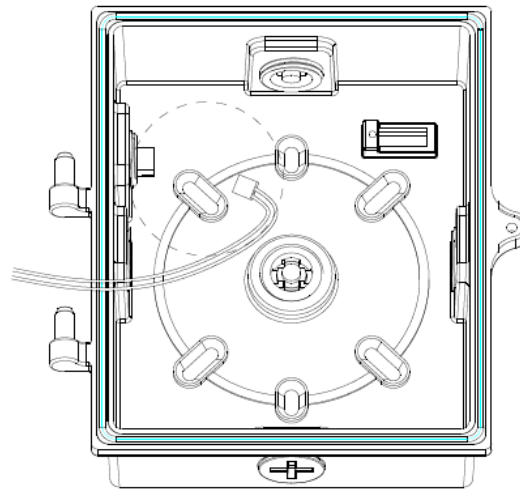
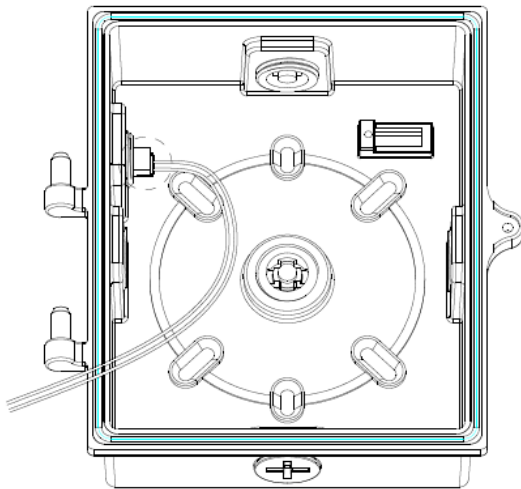


# 71152C - SLIMLINE WALLPACK

15/20/30W 3000/4000/5000K 120-277V

PHOTOCELL ON

PHOTOCELL OFF



To turn the photocell on, connect the cable as seen in the above image. To disable the photocell, disconnect the cable.